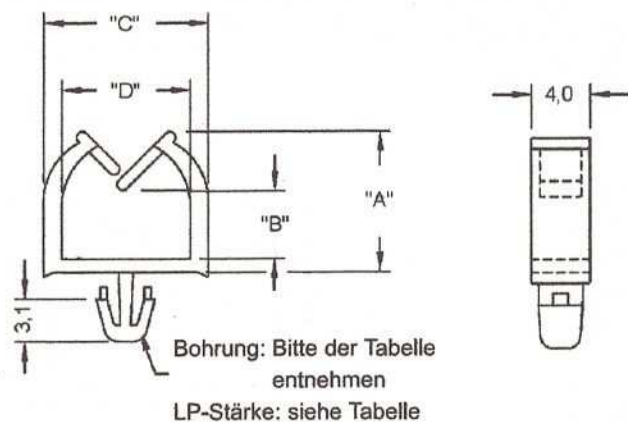
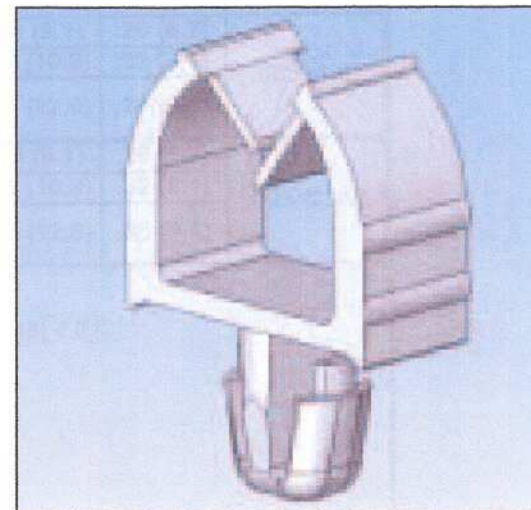


| Artikel Nr. | "A" mm | "B" mm | "C" mm | "D" mm | Bohrung mm | LP Stärke |
|---------------|-----------|-----------|-----------|-----------|---------------|--------------|
| MWSEA1-1-01 | 7.4 | 3.0 | 9,1 | 6.6 | 3.0 | 1.6 |
| MWSEA1-2-01 | 9.1 | 3.9 | 10.7 | 8.1 | 3.0 | |
| MWSEA1-3-01 | 11.2 | 6.0 | 11.9 | 9.1 | 3.0 | |
| MWSEA1-4-01 | 13.0 | 7.7 | 11.9 | 9.1 | 3.0 | |
| MWSEA2-1-01 | 7.4 | 3.0 | 9.1 | 6.6 | 3.5 | |
| MWSEA2-2-01 | 9.1 | 3.9 | 10.7 | 8.1 | 3.5 | |
| MWSEA2-3-01 | 11.2 | 6.0 | 11.9 | 9.1 | 3.5 | |
| MWSEA2-4-01 | 13.0 | 7.7 | 11.9 | 9.1 | 3.5 | |
| MWSEA1-1-1-01 | 7.4 | 3.0 | 9.1 | 6.6 | 3.0 | 2.4 |
| MWSEA1-1-2-01 | 9.1 | 3.9 | 10.7 | 8.1 | 3.0 | |
| MWSEA1-1-3-01 | 11.2 | 6.0 | 11.9 | 9.1 | 3.0 | |
| MWSEA1-1-4-01 | 13.0 | 7.7 | 11.9 | 9.1 | 3.0 | |
| MWSEA2-1-1-01 | 7.4 | 3.0 | 9.1 | 6.6 | 3.5 | |
| MWSEA2-1-2-01 | 9.1 | 3.9 | 10.7 | 8.1 | 3.5 | |
| MWSEA2-1-3-01 | 11.2 | 6.0 | 11.9 | 9.1 | 3.5 | |
| MWSEA2-1-4-01 | 13.0 | 7.7 | 11.9 | 9.1 | 3.5 | |



Material: Nylon 6/6 - natur, UL 94 V-2, RMS-01



MWSEA1/MWSEA2

MINIATUR KABELHALTER

Bestellinfo:

MWSEA1 2 01

Artikel Größe Materialcode