

Description: BS13/13-H05VVF3G1,00-C13/2,50m, black

(L73A)

Rating of cord set: 10A, 250Vac

1. PLUG: Type BS13/13

Molded plug according to : BS 1363/A
Rated current and voltage : 13A,250V AC with replaceable fuse 13A
Plugbase : Thermoplastic polyester (PBT) GFR
Pins : Line & neutral:solid brass,nickel-Plated, part-insulated,Grounding: solid brass,nickel-plated
Pin dimensions : Line & neutral 6,35mmx4,00mm
Grounding 7,90mmx4,00mm
Construction : Double insulation
Outer mold : PVC compound, hardness Shore A75-77
Approvals : ASTA,PSB verification SS145

2. CORD: Type H05VVF3G100mm²

Flexible cord according to : HD 21.5 S3:1994+A1:1999+A2:2001; AS 3191
Marked : *JF*<ÖVE><HAR>H05VVF3G1,0mm²*N1095*CE
*CCC 227 IEC 53 (RVV) 300/500 3x1,0*VCTF3CX1,0mm²
Number of cores : 3
Conductor construction : 31x0,195 mm O.D. 1,25mm
Conductor insulation : Extruded PVC O.D. 2,40mm
Jacket : Extruded PVC O.D. 6,80mm +/- 0,20mm
Resistance of conductors : max. 19,5 Ω/km
Dielectric strength : 2kVac, 1min.
Insulation resistance : >0,010MΩ/km
Color of conductors : yellow/green,brown,blue
Approvals : HARMONIZED,ÖVE,SAA,CCC,KTL

3. CONNECTOR: Type C13

Molded connector according to : EN/IEC 60320/C13
Rated current and voltage : 10 A, 250 V AC
Construction : double insulation
Contacts of the connection : self-adjusting phosphor bronze CuSn6
Inner insulation : PPO GFR
Outer mold : PVC compound, hardness Shore A 75-77
Approvals : ENEC

Environmental conformity

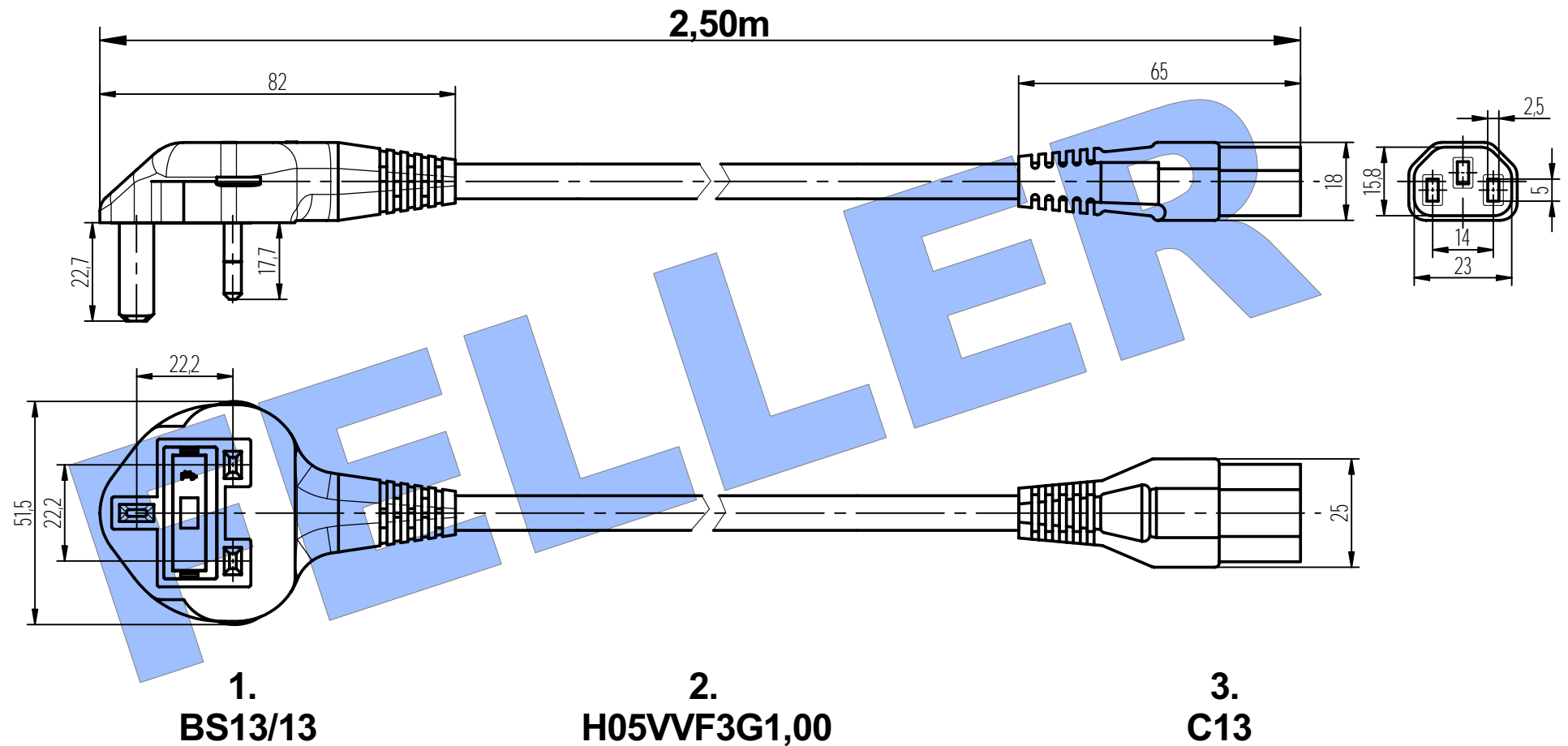
: EU-Directive 2002/96/EC (WEEE)
EU-Directive 2003/11/EC (Council Directive 76/769/EEC)
EU-Directive 2002/95/EC (RoHS-compliant)

TESTING

Electrical testing : 100%
Visual inspection : 100%
High pot test wire to wire : 3.000Vac for 2 sec.
Continuity test : depends on fuse current
Polarity test : yes
Skin high pot test : 6.000Vac line to skin

Tolerances not indicated in the drawing: +/- 2 %
design subject to change without prior notice

DATE of ISSUE:	July, 2009		
REV: 3	1	ORIG:	mk



Feller Type: BS13/13-H05VVF3G1,00-C13 / 2,50m black (L73A)

RoHS compliant

28.07.09

All dimensions in mm

FELLER 

A-2525 Günselsdorf, Austria

Telefon 0043-2256-62325-0

Fax: 0043-2256-62325-7

email: sales@feller-at.com

<http://www.feller-at.com>