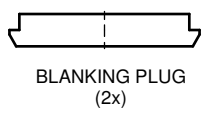
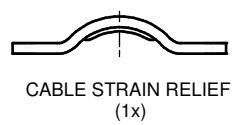
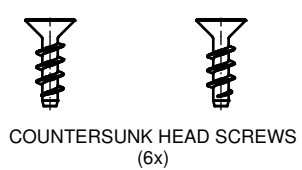
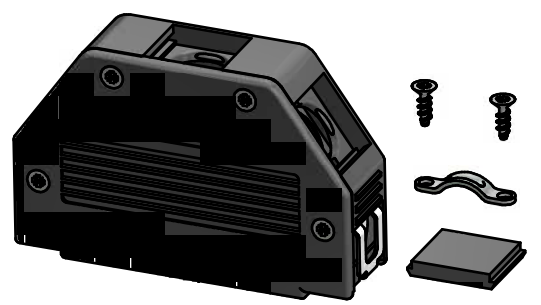
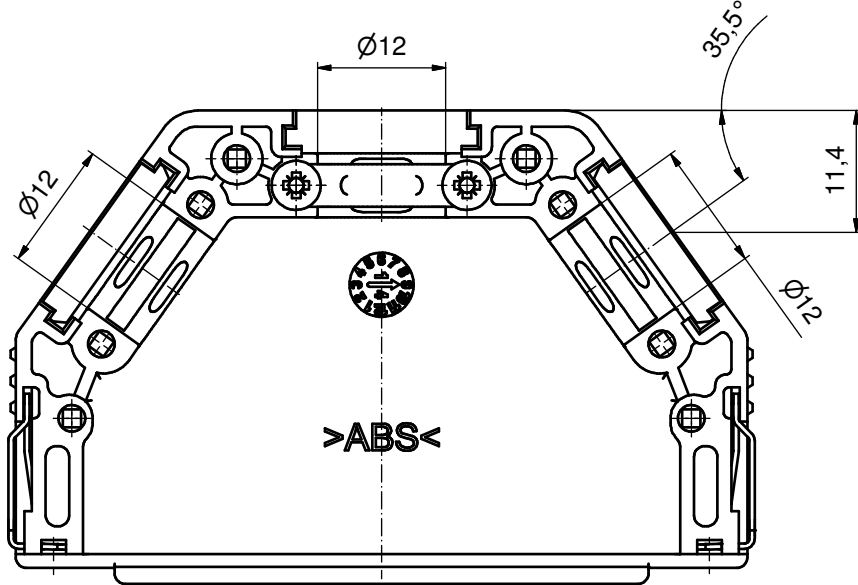


view without cover



c	Part-No.	Part-No.
	Bulk package	Single package
	16-001850	16-001850E

RoHS compliant

HOOD ASSEMBLY CONSISTS OF:

- b 1. HOOD + COVER: ABS UL 94 V-0; BLACK
- 2. BLANKING PLUGS: ABS UL 94 V-0; BLACK
- 3. CABLE STRAIN RELIEF: STEEL; NICKEL PLATED
- 4. CLIP: STAINLESS STEEL
- 5. COUNTERSUNK HEAD SCREWS: STEEL; NICKEL PLATED

THIS DRAWING MAY NOT BE COPIED OR REPRODUCED IN ANY WAY, AND MAY NOT BE PASSED ON TO A THIRD PARTY WITHOUT WRITTEN PERMISSION. OWNERSHIP AND COPYRIGHT OF CONEC GmbH DO NOT ALTER CAD DRAWING BY HAND	finish:	tolerance	dim. in mm		scale:	2:1 (1:1)		
	see table		date	name	material:	see drawing		
			drawn	12.11.12	Strakerjahn	title: Plastic Hood 50pos with Snap Lock / top and two sides cable exit		
			appd.	06.05.14	Koch			
			norm					
	2 x c	Ä5619	22.04.15	K.H.	d-old	SK0823Y15	dwg no:	
	3 x b	Ä5357	25.09.14	K.H.				
a	Original							
rev.	description	date	name	CONEC		part no:	(c) (b) SEE TABLE	

DIN-A3
sh: 1