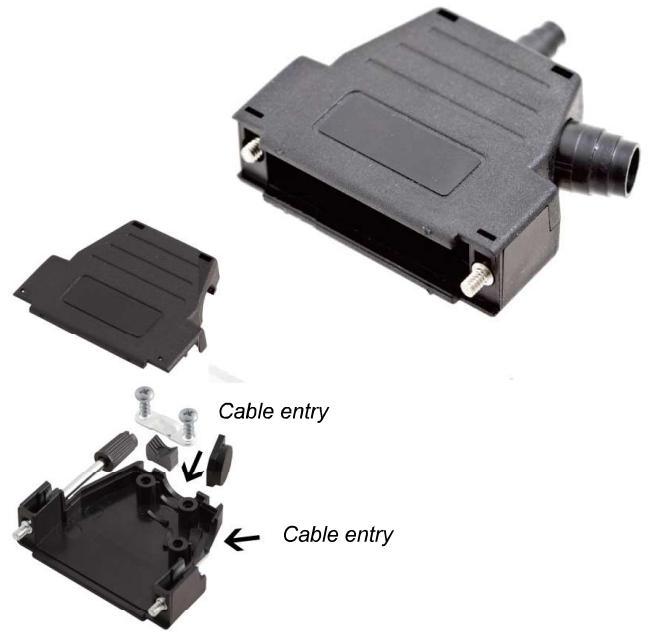


D-Sub Plastic cover, Top or Side entry + Grommet set

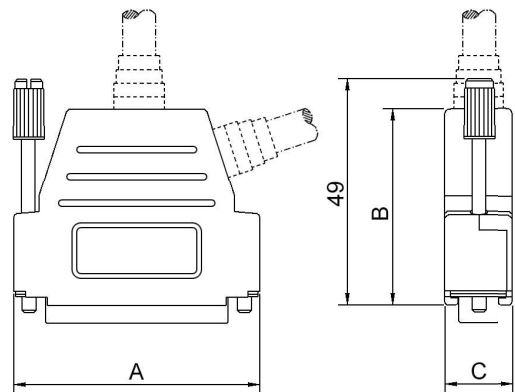
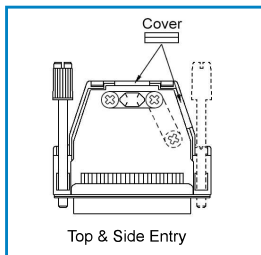
**TECHNICAL SPECIFICATIONS**

Material: Polyamid, UL-recognised  
 Operating Temperature: -55°C to +110°C  
 Cable Entry: Side and Top  
 Thumbscrews: UNC 4-40 (Standard)  
 M2,5 or M3 on request  
 Cable O.D:  
 9-way Up to 11,5mm  
 15-way Up to 11,5mm  
 25-way Up to 11,5mm  
 37-way Up to 11,5mm  
 Colour: Black

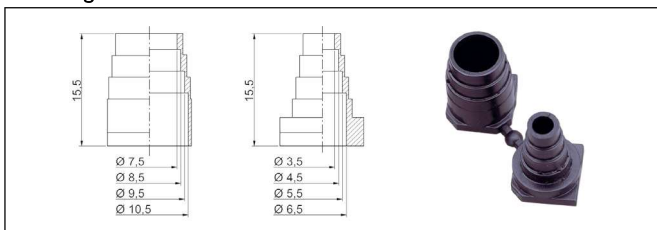


**Features:**

- Plastic cover including 2-piece plastic grommet
- 37-way Side entry only
- Short and Long jackscrew included
- Quick-snap locking system
- Re-openable
- Company logo available on request



**Plastic grommet set**



Size DSSK-P	Dim A	Dim B	Dim C
9-way	31,5	40,0	15,0
15-way	40,0	40,0	15,0
25-way	53,5	43,0	15,0
37-way	71,3	40,0	15,0

**Ordering information:**

Size:	P/N - Kitted:	Product Code:
9-way	6260-0107-41	DSSK-P-09-L+G-K
15-way	6260-0107-42	DSSK-P-15-L+G-K
25-way	6260-0107-43	DSSK-P-25-L+G-K
37-way	6260-0107-44	DSSK-P-37-S+G-K

Size:	P/N - BULK:	Product Code:
9-way	6261-0107-41	DSSK-P-09-L+G
15-way	6261-0107-42	DSSK-P-15-L+G
25-way	6261-0107-43	DSSK-P-25-L+G
37-way	6261-0107-44	DSSK-P-37-S+G



**Encitech AB**  
 Rörkullsvägen 4  
 SE-302 41 HALMSTAD, Sweden

Tel.: +46-(0)35-15 13 90  
 Fax: +46-(0)35-15 13 99

[www.encitech.com](http://www.encitech.com)