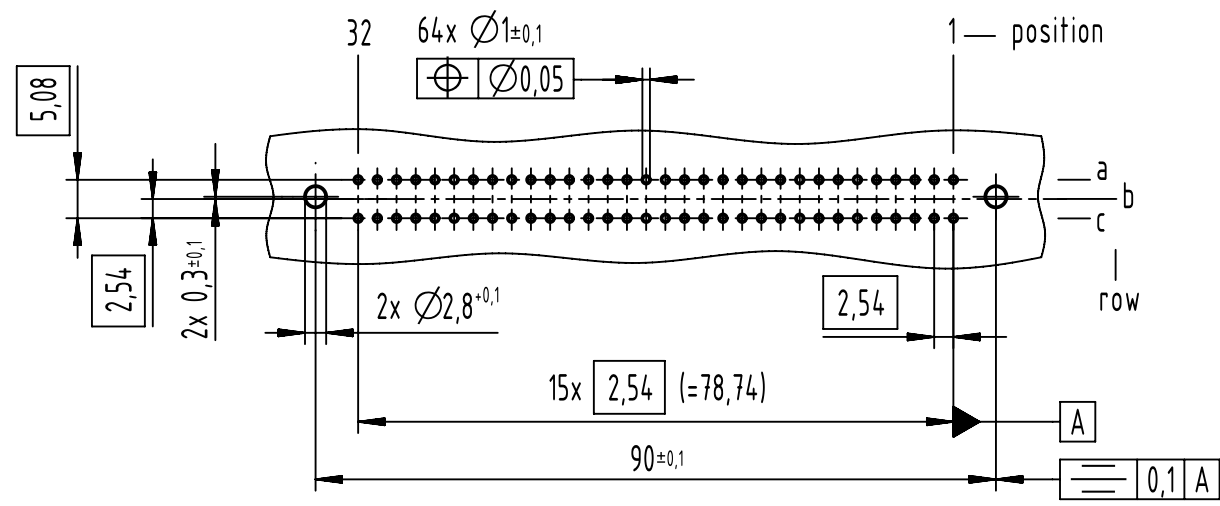


1 2 3 4 5 6 7 8

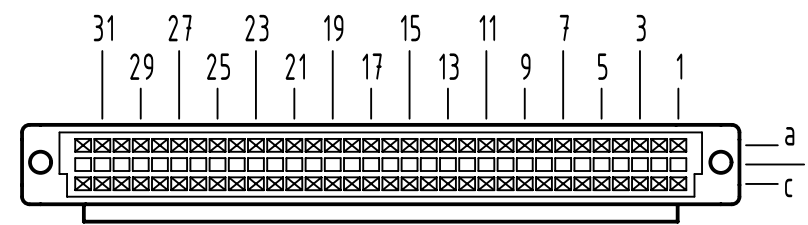
A
B
C
D
E
F

A
B
C
D
E
F

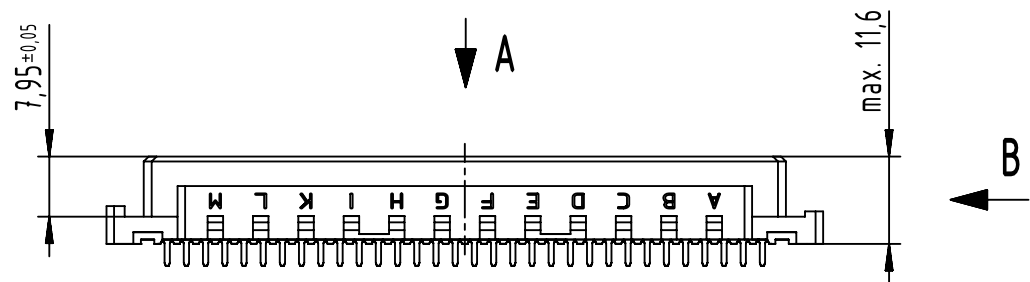
A
board drillings



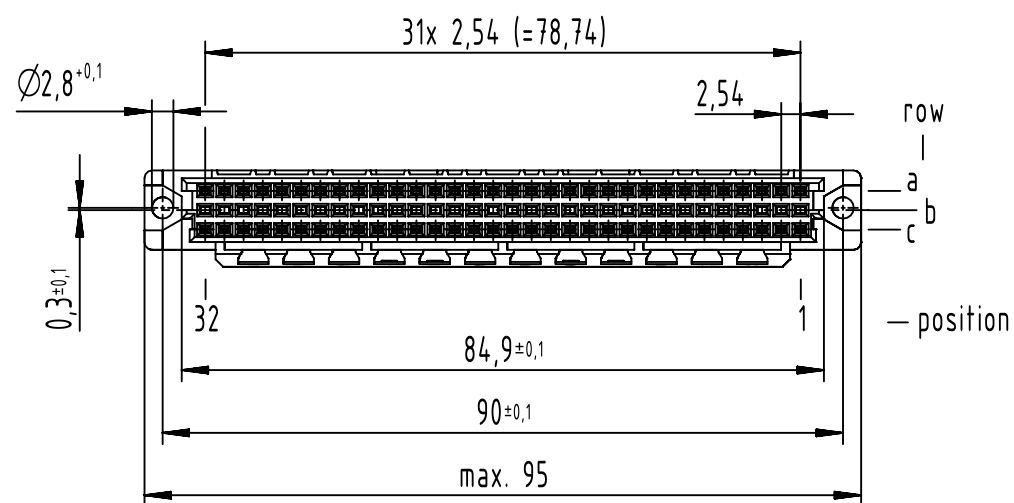
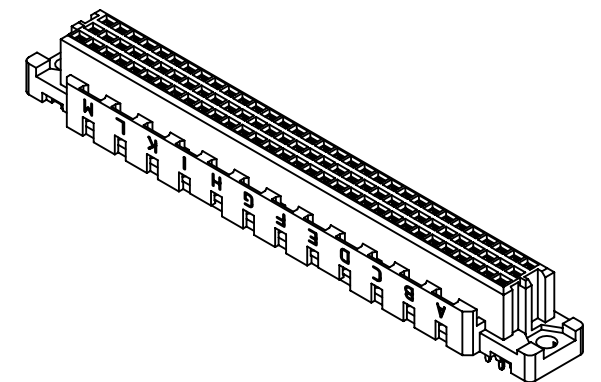
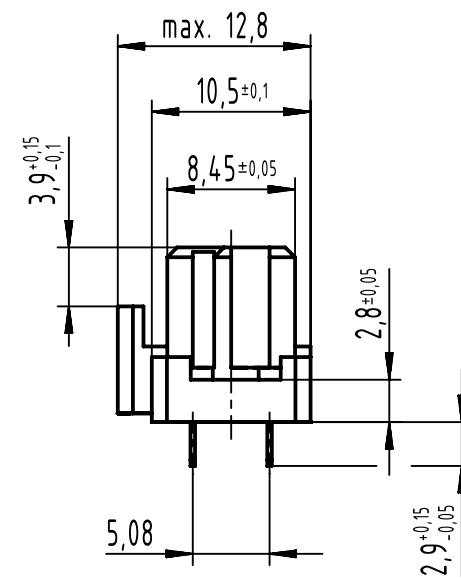
A
contact arrangement



- 64 solder contacts
- ☒ = solder contact
- = kinked solder contact
- = position without contact



B (2:1)



further information see product data sheet

09 03 764 6824	2
part no.	performance level

	All Dimensions in mm Original Size DIN A3		Scale 1:1	Free size tol. IEC 60603-2	Ref.	
	All rights reserved Department EL PD		Created by STORCK	Inspected by LEHNERT	Standardisation 302077	
HARTING D-32339 Espelkamp		Title DIN Signal type C female solder 2.9 with coding 64-pole			Date 2021-03-12	State Final Release
		Type TB	Number 0903764X824		Doc-Key / ECM-Nr. 100173852/UGD/204/G 500000190255	
					Rev. G	Page 1/1

1 2 3 4 5 6 7 8