

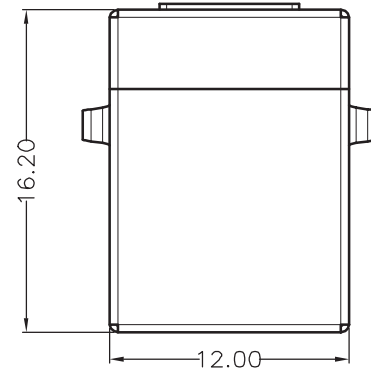
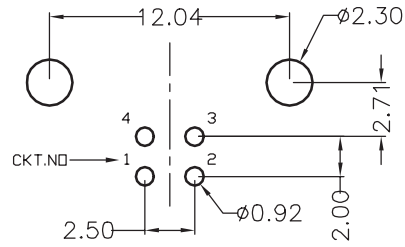
1

2

3

4

5



TECHNICAL CHARACTERISTICS

MATERIAL
 INSULATOR: PBT
 COLOR: WHITE
 CONTACT MATERIAL: COPPER ALLOYS
 CONTACT TYPE: STAMPED
 CONTACT PLATING: SELECTIVE GOLD
 SHIELDING: BRASS Ni PLATED
 QUALITY CLASS: 1500 MATING CYCLES

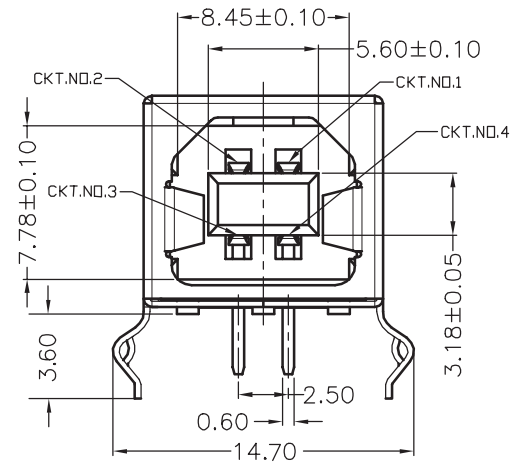
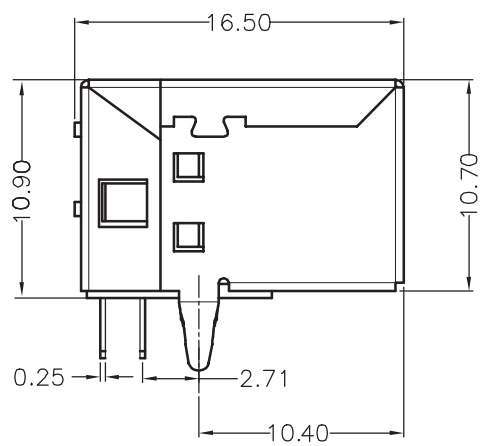
ENVIRONMENTAL
 OPERATING TEMPERATURE: -40 UP TO 105°C
 FLAMABILITY RATING: UL94-V0
 COMPLIANCE: LEAD FREE AND ROHS

ELECTRICAL
 CURRENT RATING: 1A
 WORKING VOLTAGE: 30V
 INSULATOR RESISTANCE: >1000 MOHM
 DIELECTRIC WITHSTANDING VOLTAGE: 750V AC/MN
 CONTACT RESISTANCE: 20 mOHM MAX

STANDARD
 CERTIFIED: E323964 / MODEL NUMBER 614/629-B

SOLDERING
 WAVE PROCESS ONLY

PACKAGING
 TRAY

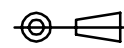


A

B

C

RoHS Compliant			
H	17-01-2011	DIMENSION	GG
REV	DATE	FILE	BY

PROJECTION:

 APPROVAL: RJ

GENERAL TOLERANCE
 .X = +/- 0.2
 .XX = +/- 0.15
 UNIT: MM
 SCALE:
 SHEET: 1/2
 DRAW: PEARL



DESCRIPTION: USB TYPE B
 WERI PART NO: 614 004 161 21

SIZE
A4

D

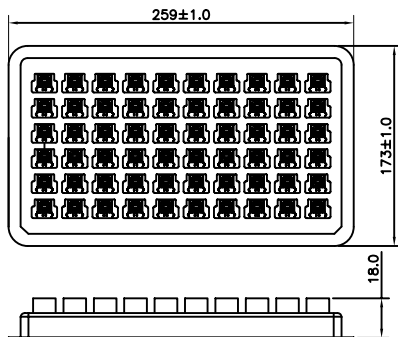
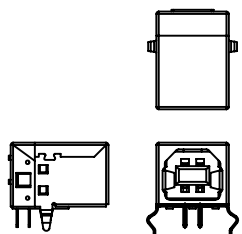
1

2

3

4

5



Note:

1.Dimension

Tray Size: 260(L)X175(W)X18.0(H) (mm)

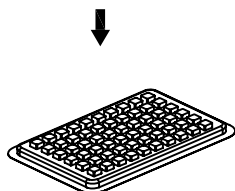
Carton Size:360X270X300 (mm)

2.Quantity:

60pcs/Tray

32Tray/ Carton

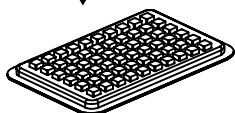
Q'TY: 1920pcs



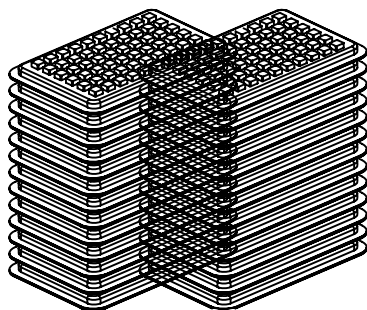
COVER TRAY



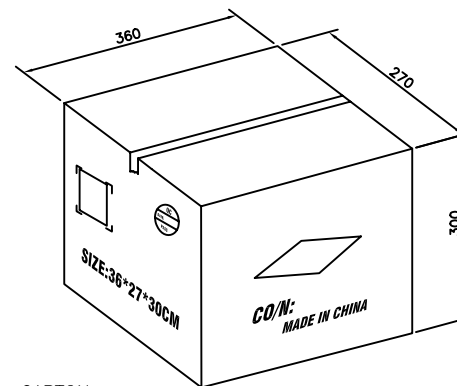
BOTTOM TRAY



TRAY



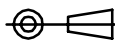
32 TRAYS



CARTON

RoHS Compliant			
G			
F			
E			
D			
C			
B			
A			
REV	DATE	FILE	BY

PROJECTION:



GENERAL TOLERANCE

.X = +/- 0.2

.XX = +/- 0.15

APPROVAL: RJ

UNIT: MM

SCALE:

SHEET: 2/2

DRAW: PEARL



DESCRIPTION: USB TYPE B

WERI PART NO: 614 004 161 21

SIZE

A4