

Product description	<b>Contacts: 4, Cable outlet: 6 - 8 mm, female angled connector, shieldable, CAT 5 screw terminal connection, static ring version, UL approval</b>
Area	<b>M12-D, M12-X Series 825 D-coding</b>
Order number	<b>99 3730 820 04</b>

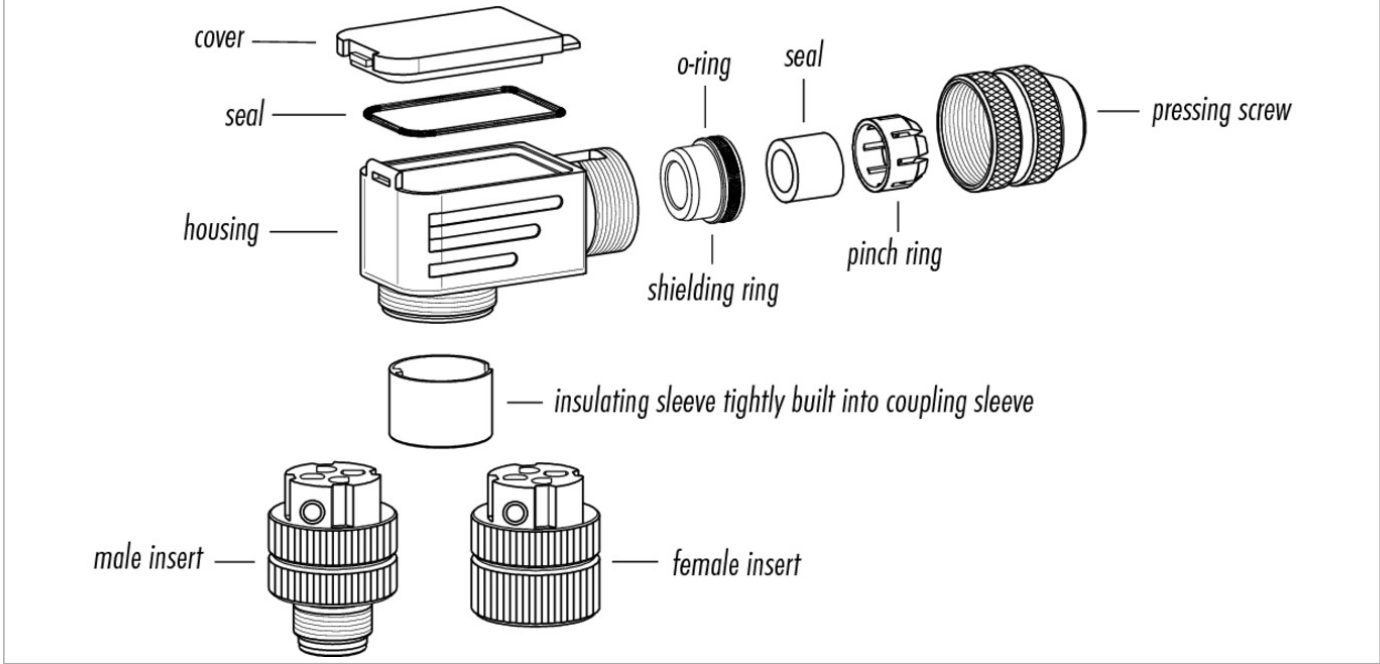
Illustration	Scale drawing	Contact arrangement															
		<table border="1" style="margin: 10px auto;"> <thead> <tr> <th></th> <th>X</th> <th>Y</th> </tr> </thead> <tbody> <tr> <td>1</td> <td>-2,50</td> <td>0,00</td> </tr> <tr> <td>2</td> <td>0,00</td> <td>2,50</td> </tr> <tr> <td>3</td> <td>2,50</td> <td>0,00</td> </tr> <tr> <td>4</td> <td>0,00</td> <td>-2,50</td> </tr> </tbody> </table> <ul style="list-style-type: none"> <li>1 gelb/yellow</li> <li>2 weiß/white</li> <li>3 orange/orange</li> <li>4 blau/blue</li> </ul>		X	Y	1	-2,50	0,00	2	0,00	2,50	3	2,50	0,00	4	0,00	-2,50
	X	Y															
1	-2,50	0,00															
2	0,00	2,50															
3	2,50	0,00															
4	0,00	-2,50															

You can find the component part drawing and assembly instructions on the next page.

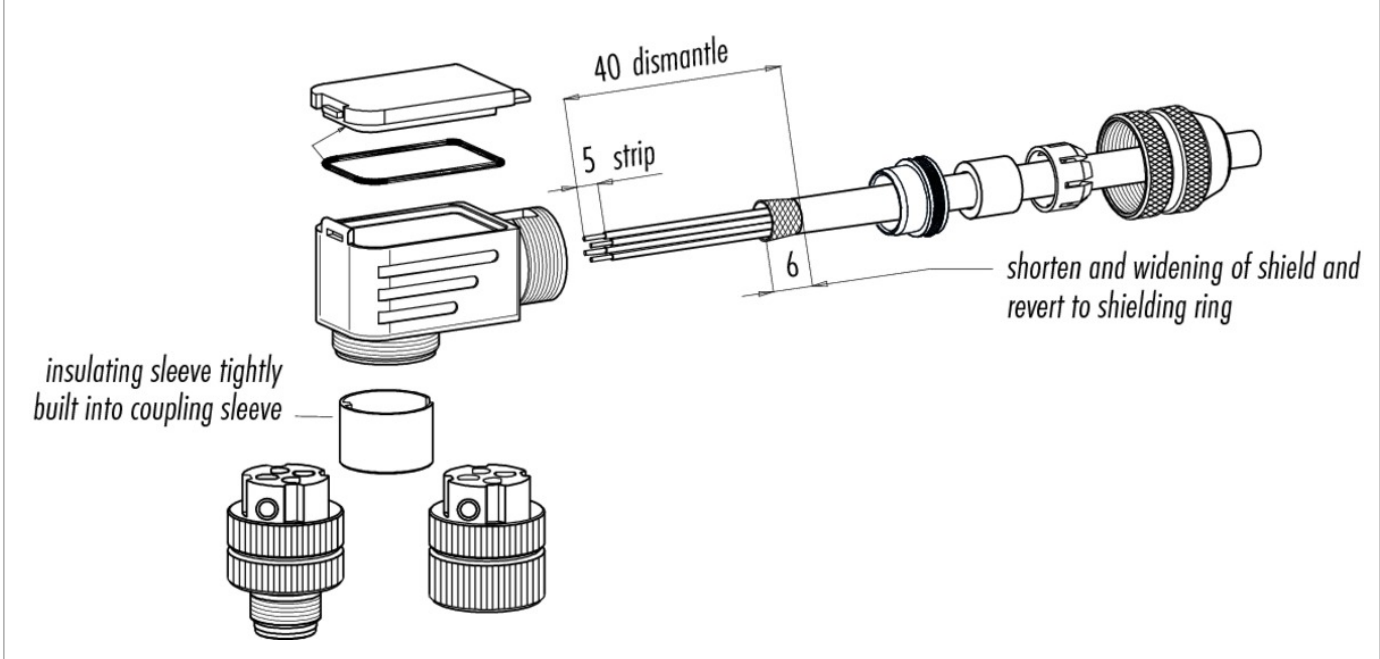
Technical data	
<b>General values</b>	
Connector design	female angled connector
Connector locking system	bolted
Termination	screw clamp
Wire gauge (mm)	0.75 mm <sup>2</sup>
Wire gauge (AWG)	18
Cable outlet	6,0 - 8,0 mm
Upper limit temperature	85 °C
Lower limit temperature category	-40 °C
Customs tariff number	CAT 5 85369010
<b>Cable data</b>	
Approval 1	UL
<b>Electrical values</b>	
Rated current (40 °C)	4 A
Rated voltage	250 V
Rated impulse voltage	2500 V
Pollution degree	3
Overvoltage category	II
Insulating material group	III
Volume resistivity	≤ 3 mΩ
Insulation resistance	≥ 10 <sup>10</sup> Ω
EMC compliance	shieldable
Degree of protection	IP67
Mechanical operation	> 100 Mating cycles
<b>Material</b>	
Contact material	CuZn (brass)
Contact plating	Au (gold)
Contact body material	PA
Housing material	Zinc die-cast nickel-plated

Product description	Contacts: 4, Cable outlet: 6 - 8 mm, female angled connector, shieldable, CAT 5 screw terminal connection, static ring version, UL approval
Area	M12-D, M12-X Series 825 D-coding
Order number	99 3730 820 04

Component part drawing



Assembly instructions / Panel cut-out



Product description	<b>Contacts: 4, Cable outlet: 6 - 8 mm, female angled connector, shieldable, CAT 5 screw terminal connection, static ring version, UL approval</b>
Area Order number	<b>M12-D, M12-X Series 825 D-coding 99 3730 820 04</b>

## Security notices

The connector must not be connected or separated under load. Non-observance and incorrect use can result in personal injury.

The connectors are designed for use in plant, control system and electrical equipment. The end user is responsible for checking whether the connectors are suitable for use in other applications.

To prevent the connector being opened unintentionally when used in electrical circuits containing hazardous life parts, the thread between the housing and the connector head must be secured using a suitable cyanoacrylate adhesive. This does not apply to connectors used in SELV and PELV circuits according to IEC 61140 (EN 61140, VDE 0140-1).

Connectors used in electrical circuits containing hazardous life parts must only be assembled and used by or under the supervision of persons with the requisite electrotechnical training, taking the applicable regulations and standards into account.

Connectors with degree of protection IP 67 and IP 68 are not suitable for use under water. When used outdoors, the connectors must be separately protected against corrosion. For further information about IP degrees of protection refer to 'Technical support' in the Download Centre.

To lock the cable connector to the equipment connector, the threaded ring is tightened until it is 'finger-tight' (approx. 50 cNm).