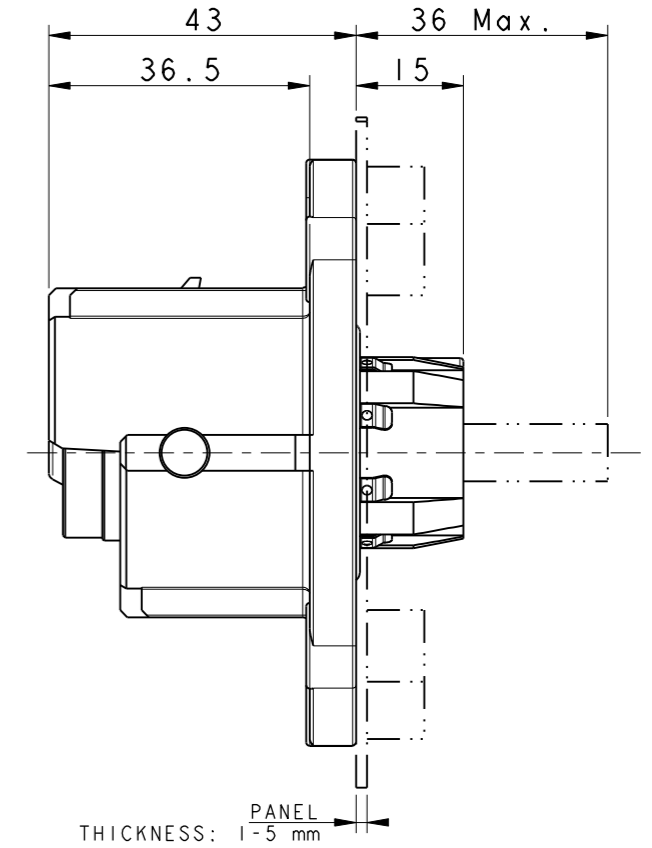
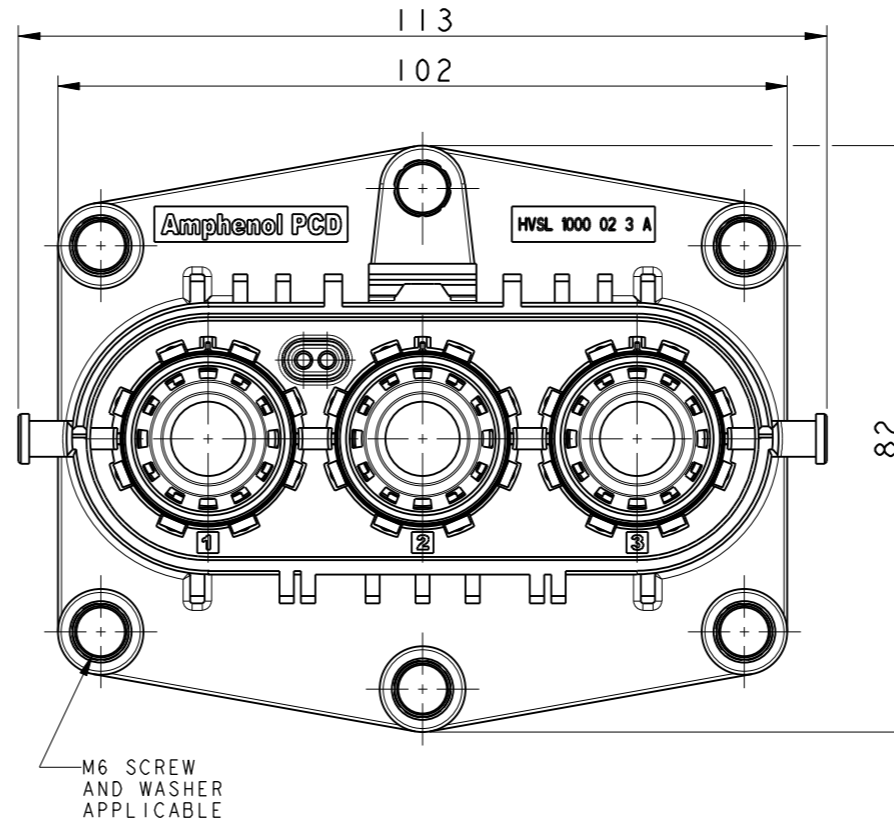
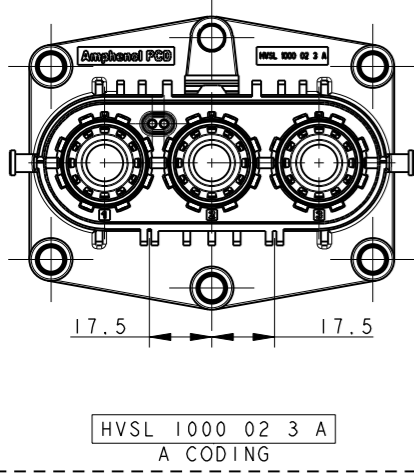


C-HVSL1000023X

CUSTOMER DRAWING

REV	ECN	DESCRIPTION	DATE	MODIFIED
1		PRE-RELEASE	19/08/13	Eric
2		CHANGED THE POWER CONTACT	23/10/13	Eric
3		ADD WIRE DIAMETER	15/09/15	Robin Yuan

SCALE 1:2

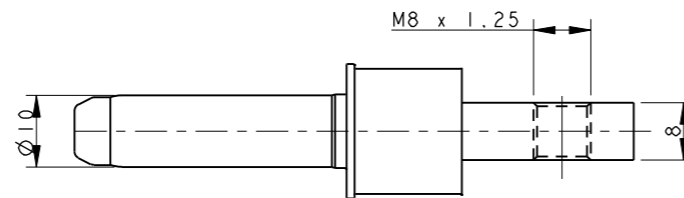


C-HVSL1000023X

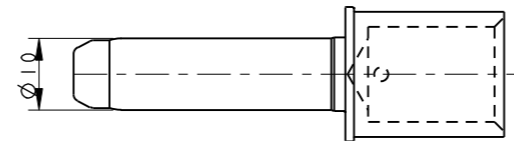
C-HVSL1000023X

NOTES:

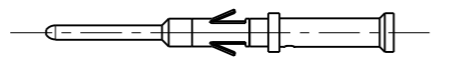
- MATERIAL & FINISH:  
 PLASTIC BODY: THERMOPLASTICS UL 94V-0 ORANGE COLOR  
 POWER CONTACT: COPPER ALLOY SILVER PLATED  
 IL CONTACTS: COPPER ALLOY GOLD PLATED  
 SHIELDING: COPPER ALLOY TIN PLATED  
 RING: STAINLESS STEEL  
 O-RING: SILICONE RUBBER
- ELECTRONICAL CHARACTERISTICS:  
 HIGH VOLTAGE RATED 1000 V DC MAX.  
 CURRENT RATED 250 A MAX.  
 WITHSTANDING VOLTAGE 3000 V AC  
 PRODUCTS ARE COMPLIANCE WITH EN 60664-1 POLLUTION II
- ENVIRONMENT CHARACTERISTICS:  
 IP67 IP6K9K RATED (WHEN MATING)  
 IP2XB RATED FOR FINGER TOUCH-PROOF
- DELIVERY WITHOUT CONTACTS. THE CONTACTS SHOULD BE ORDERED SEPARATELY.
- SEE APCD-TD-073 FOR ASSEMBLY INSTRUCTION.



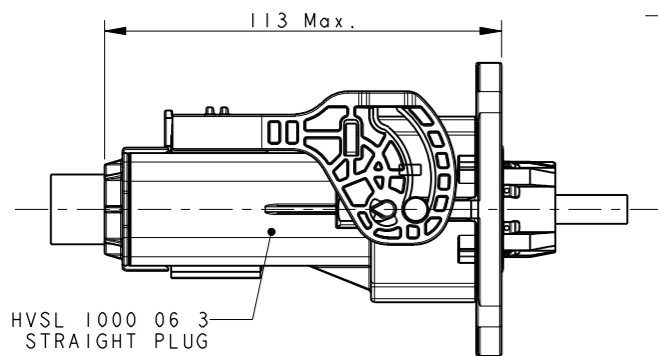
POWER CONTACT (THREAD FOR BUS-BAR)  
P/N: C4200036152



POWER CONTACT (CRIMP FOR WIRE)  
 P/N: C42000361511 --70 mm<sup>2</sup> WIRE OD=19.0 ± 0.7MM  
 C42000361512 --50 mm<sup>2</sup> WIRE OD=16.5 ± 0.4MM  
 C42000361513 --35 mm<sup>2</sup> WIRE OD=14.2 ± 0.4MM  
 C42000361514 --25 mm<sup>2</sup> WIRE OD=11.9 ± 0.3MM



CONTACT FOR IL (INTER-LOCK) USE  
 (0.5 mm<sup>2</sup> MAX. WIRE)  
 P/N: C200003609



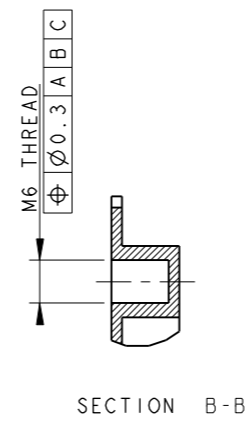
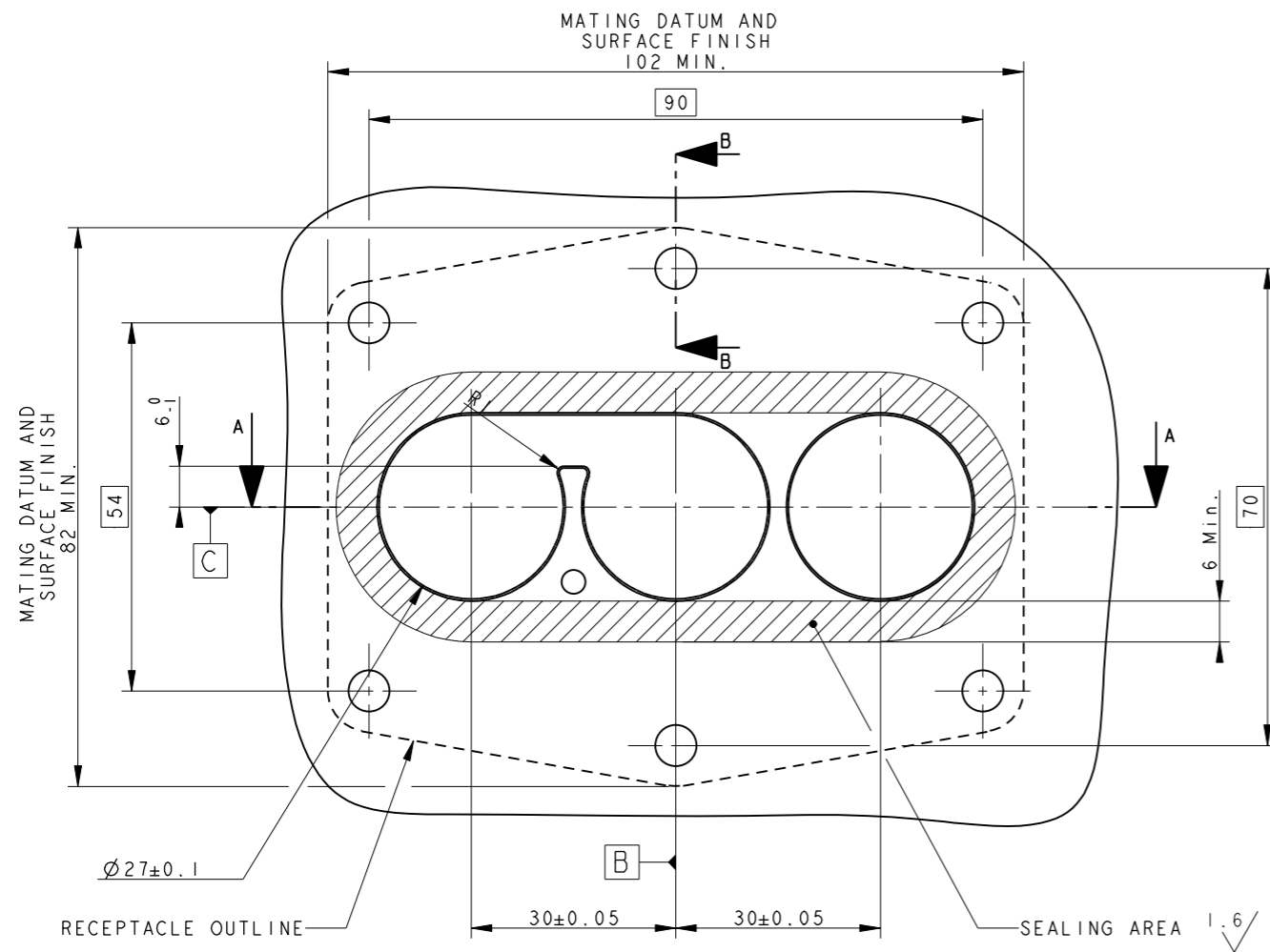
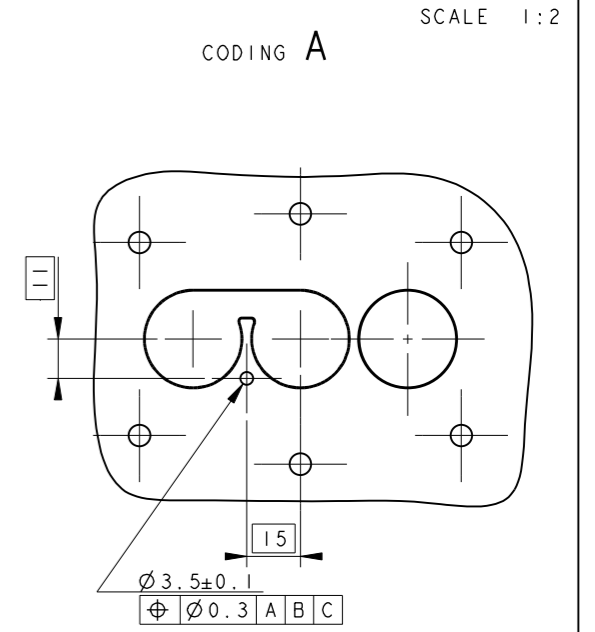
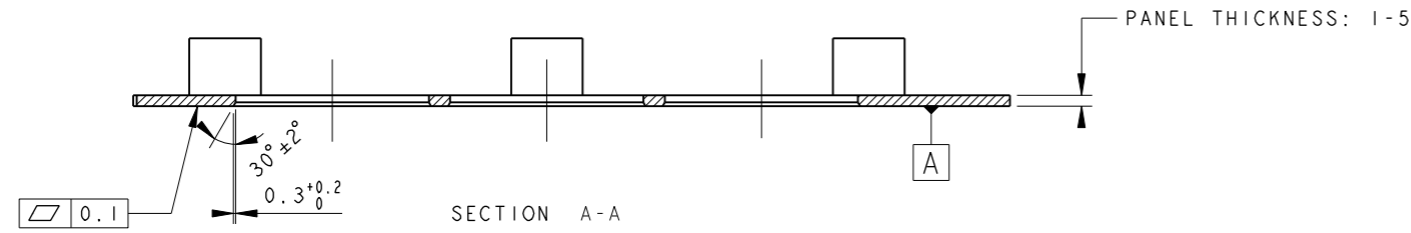
HVSL 1000 06 3  
STRAIGHT PLUG

CONNECTORS MATED OUTLINE

DIMENSIONS	TOLERANCES	PROJECTION	Amphenol Pcd Shenzhen	
ANSI Y14.5M UNITS: MM Pro/E FILE	X ±0.2 XX ±0.10 ANGLES ±0.5°		ENGR Robin Yuan	15/09/15
ORIGINAL NOT FOR CUSTOMER DISTRIBUTION	THIS DOCUMENT CONTAINS PROPRIETARY INFORMATION WHICH IS THE CONFIDENTIAL PROPERTY OF AMPHENOL PCD SHENZHEN		CHKD	
			APPD	

TITLE			
HVSL 1000 02 3 X BOX MOUNTING RECEPTACLE ASSEMBLY			
SIZE <b>A3</b>	DWG NO. <b>C-HVSL1000023X</b>	REV <b>3</b>	
CODE: 58982	SCALE: 1:1	SHEET 1 OF 2	

# PANEL DRILLING



C-HVSL1000023X

C-HVSL1000023X

SIZE	DWG NO.	REV
A3	C-HVSL1000023X	3
CODE: 58982	SCALE: 1:1	SHEET 2 OF 2