



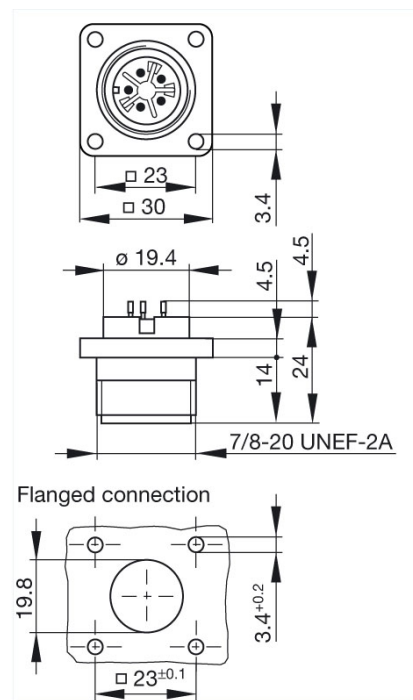
CM 02 E 14S-5 P

Industrial Connectors: Circular connector CM-series: Surface mounted connector

Product description

Description	Surface mounted connector, with flange, with solder bucket
Type	CM 02 E 14S-5 P
Order No.	932 843-100
Number of contacts	5
Conductor size	max. 1 mm ²
Standard	MIL-C 5015 bzw. VG 95 342
Housing Color	black

Drawing



Technical data

Pin dimensions	1.6 mm
Rated voltage	AC/DC 50 V
Rated current	10 A
Contact resistance	≤ 5 mOhm
Type of termination	solder
Shell size	14S
Mounting	screws

Material

Contact surface material	Ag
--------------------------	----

Contact bearer material	PA 66-GF 25
Housing material	PA 66-GF 25
Environmental conditions	
Protection class (IEC 60529)	IP 67
Pollution severity	3
Temperature range	-40 °C to +90 °C up to 100 °C
Inflammability class	
Flammability, UL standard	94 V-1
Packing unit	
Packaging unit	100 pieces
Scope of delivery and accessories	
Scope of delivery	1 surface mounted connector
Accessories to order separately	can be plugged into CM 06 EA 14S-5 S; flat gasket CM 02 D 14S, order no. 733 321-002; cap CM 02 SD 14S, order no. 831 620-100; protective cover SHK 1, order no. 733 849-001