

Spezifikation für Freigabe / specification for release

Kunde / customer : _____

Artikelnummer / part number : **74271131** LF

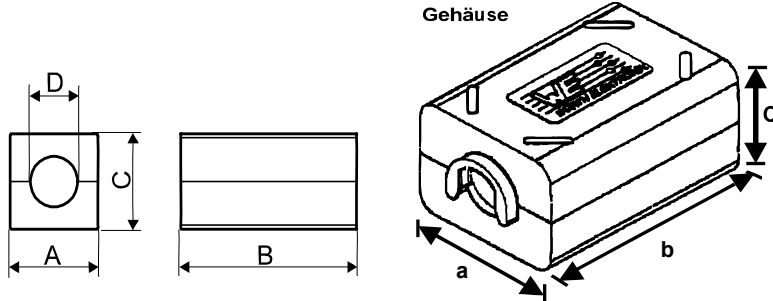


Bezeichnung : **STAR-TEC mit Sicherheitsverschluss**
 description : **STAR-TEC with Safety Lock**

RoHS compliant

DATUM / DATE : 2004-10-11

A Mechanische Abmessungen / dimensions:

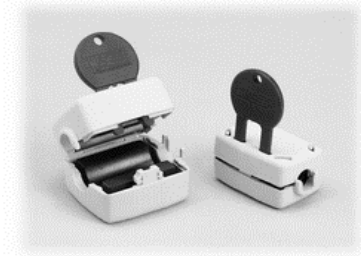


a	24,2	mm
b	36,4	mm
c	20,1	mm
A	16,0	mm
B	28,0	mm
C	16,0	mm
D	9,0	mm

B Elektrische Eigenschaften / electrical properties:

Eigenschaften / properties	Testbedingungen / test conditions		Wert / value	Einheit / unit	Tol.
Impedanz @ 1 Wg./ impedance @ 1 turn	25 MHz	Z	145	Ω	$\pm 25\%$
Impedanz @ 1 Wg./ impedance @ 1 turn	100 MHz	Z	246	Ω	$\pm 25\%$
Impedanz @ 2 Wg./ impedance @ 2 turn	25 MHz	Z	607	Ω	$\pm 25\%$
Impedanz @ 2 Wg./ impedance @ 2 turn	100 MHz	Z	755	Ω	$\pm 25\%$

C



D Prüfgeräte / test equipment:

HP 4191 B für/for Z und/and material
16092A - Klemme / clamp
AWG26 - \varnothing 0,5mm - Länge/length: 165 mm

E Testbedingungen / test conditions:

Luftfeuchtigkeit / humidity: 33%
 Umgebungstemperatur / temperature: + 20°C

F Werkstoffe & Zulassungen / material & approvals

Basismaterial / base material: 4 W 620
 Kunststoff / plastic material: PA 6
 UL-Zulassungen / UL-approval: UL94-V0 / E76261 (M)

G Eigenschaften / general specifications:

Curietemperatur / curie temperature: + 150°C
 für Kabeldurchmesser / for cable diameter: 6 - 7,5 mm
 Lagertemperatur / storage temperature: -40°C ~ + 85°C
 Betriebstemp. / operating temperature: -25°C ~ +105°C

Freigabe erteilt / general release:	Kunde / customer			
			
Datum / date	Unterschrift / signature			
	Würth Elektronik			
			
Geprüft / checked	Kontrolliert / approved	LF	RoHS update	04-10-11
		JH	Neugestaltung	00-12-06
		Name	Änderung / modification	Datum / date

Würth Elektronik eiSos GmbH & Co. KG

D-74638 Waldenburg · Max-Eyth-Strasse 1 - 3 · Germany · Telefon (+49) (0) 7942 - 945 - 0 · Telefax (+49) (0) 7942 - 945 - 400
<http://www.we-online.com>

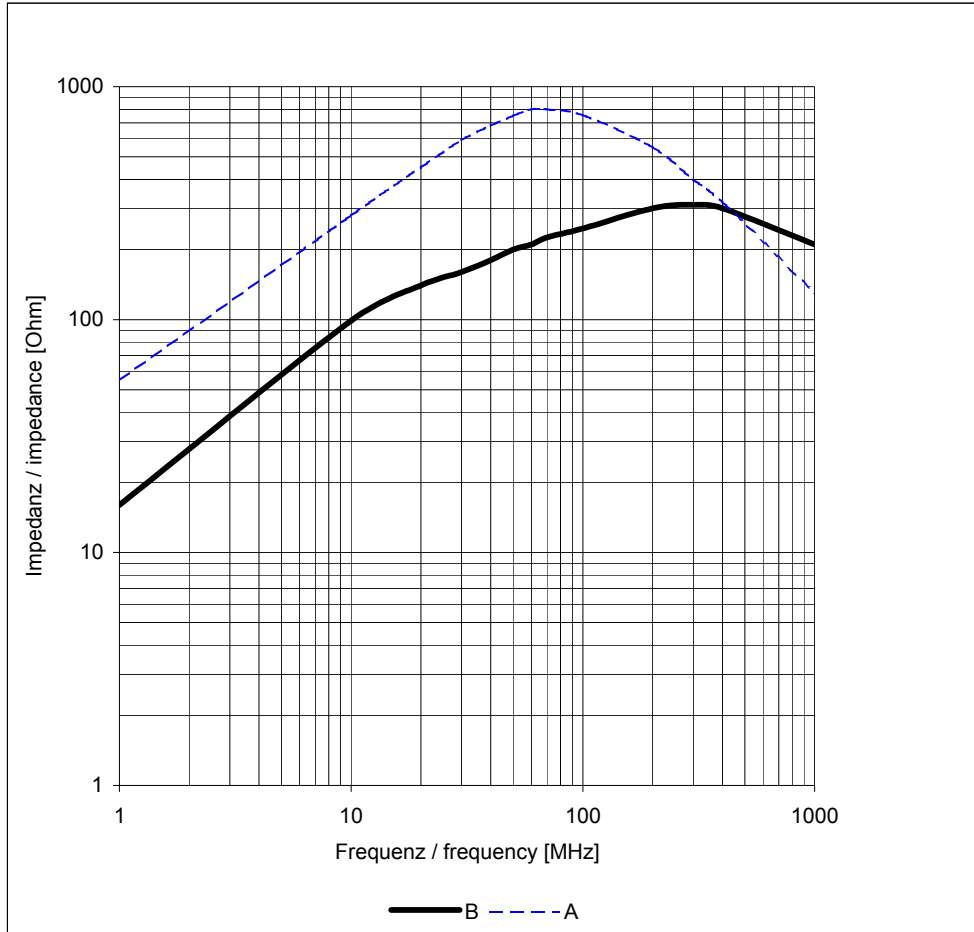
Spezifikation für Freigabe / specification for release

Kunde / customer : _____
 Artikelnummer / part number : **74271131** LF
 Bezeichnung : **STAR-TEC mit Sicherheitsverschluß**
 description : **STAR-TEC with Safety Lock**



DATUM / DATE : 2004-10-11

H Impedanzverlauf / impedance curve:



A: 2 x durch Bohrung Ferrit / 2 x times through ferrite
B: 1 x durch Bohrung Ferrit / 1 x times trough ferrite

Freigabe erteilt / general release:	Kunde / customer			
.....			
Datum / date	Unterschrift / signature			
	Würth Elektronik			
.....	LF	RoHS update	04-10-11
		JH	Neugestaltung	00-12-06
Geprüft / checked	Kontrolliert / approved	Name	Änderung / modification	Datum / date

This electronic component is designed and developed with the intention for use in general electronics equipments. Before incorporating the components into any equipments in the field such as aerospace, aviation, nuclear control, submarine, transportation, (automotive control, train control, ship control), transportation signal, disaster prevention, medical, public information network etc. where higher safety and reliability are especially required or if there is possibility of direct damage or injury to human body. In addition, even electronic component in general electronic equipments, when used in electrical circuits that require high safety, reliability functions or performance, the sufficient reliability evaluation-check for the safety must be performed before use. It is essential to give consideration when to install a protective circuit at the design stage.

Würth Elektronik eiSos GmbH & Co. KG

D-74638 Waldenburg · Max-Eyth-Strasse 1 - 3 · Germany · Telefon (+49) (0) 7942 - 945 - 0 · Telefax (+49) (0) 7942 - 945 - 400
<http://www.we-online.com>