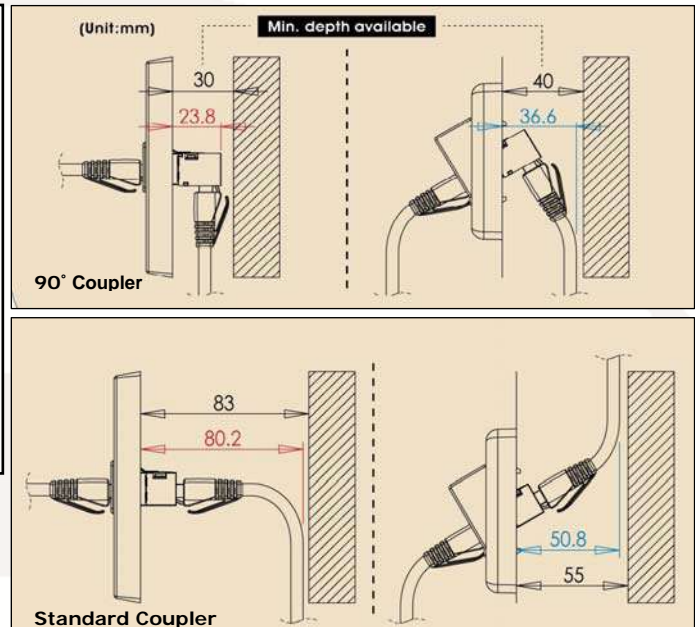
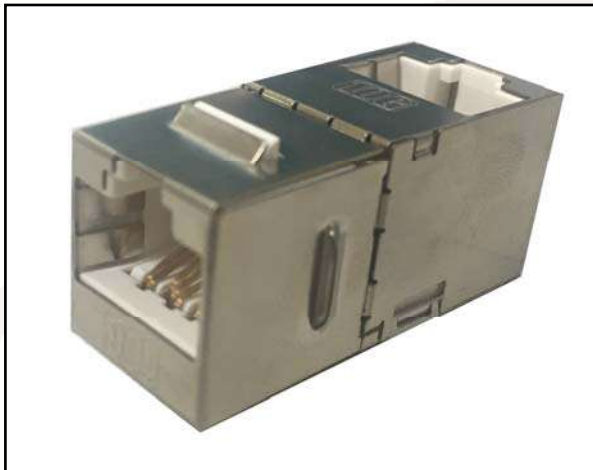


90° Keystone Panel Mount Coupler Category 6A



90° Keystone Panel Mount Coupler (SGACK90)

High performance coupler ideal for use in backboxes and in limited space.

Features

- Slim and very compact design enables use in panels or faceplates where width or depth are restricted
- Designed to fit industry standard keystone mount outlets wall plates and patch panels
- High performance data throughput, meets Category 6A data transfer rates
- Press-fit lead- and solder-free assembly

Specifications

- Dimensions (mm) 36.1 x 20.3 x 16.8 approx (L x H x W)
- Colour: Silver (shielded)
- Materials
 - Housing: ABS UL94V-0
 - Shielding: Nickel plated copper alloy
 - Contacts: 1.27 μ m/50 μ " gold plating on nickel-plated phosphor bronze

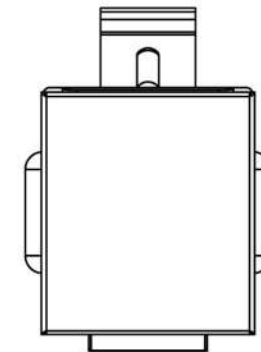
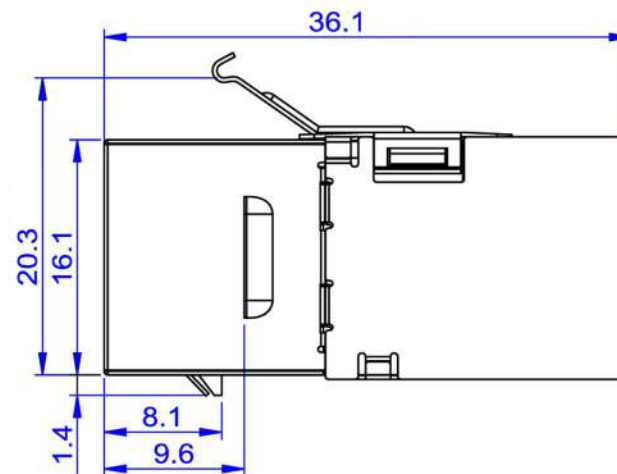
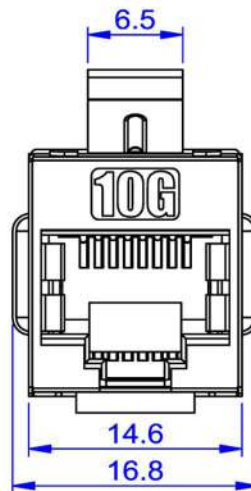
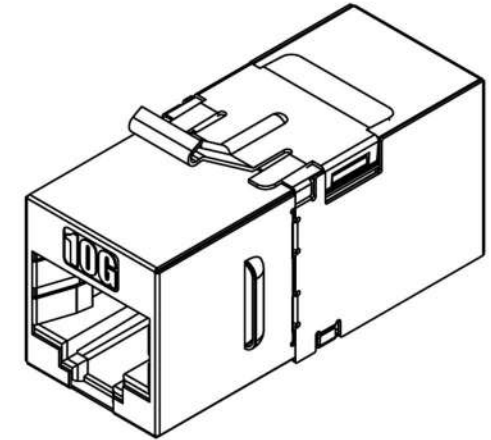
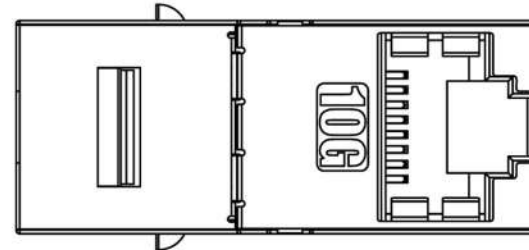
Packaging

Supplied in individual polythene bags then in bags of 20

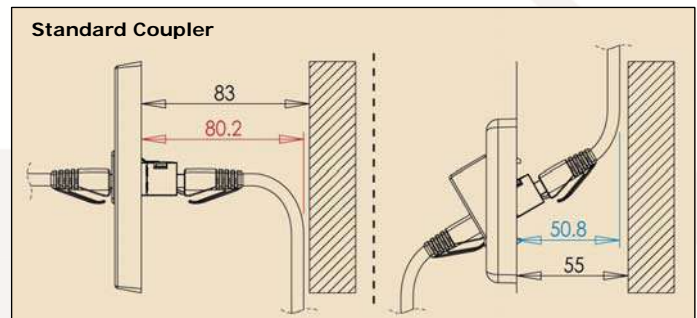
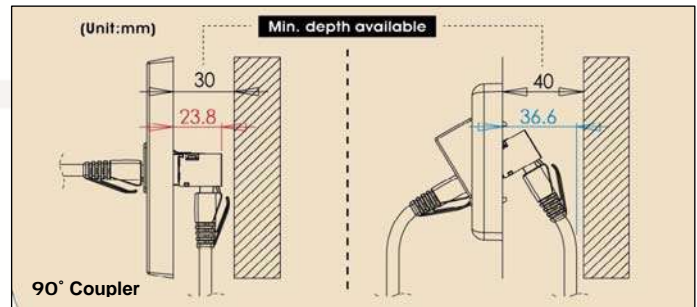
ROHS Compliant

INSERTION LIFE : 750 MATING CYCLES WITH FCC COMPLIANT 8P PLUG.
 CONTACT FORCE : 100 GRAMS WITH FCC COMPLIANT 8P PLUG.
 PLUG RETENTION FORCE : 50N
 OPERATING TEMPERATURE RANGE : -10 C TO 60 C.
 STORAGE TEMPERATURE RANGE : -40 C TO 68 C.
 HUMIDITY : 10%~90%RH.

INSULATION RESISTANCE : 500 MΩ.
 DIELECTRIC WITHSTANDING VOLTAGE : 1000 V AC.
 DC CURRENT RATING : 1.5 Amps.
 DC RESISTANCE : 0.1Ω.
 CONTACT RESISTANCE : 20mΩ.



90° Keystone Panel Mount Coupler Category 6



90° Keystone Panel Mount Coupler (SACK90Bk + SACK90Wh)

High performance coupler ideal for use in backboxes and in limited space.

Features

- Slim and very compact design enables use in panels or faceplates where width or depth are restricted
- Designed to fit industry standard keystone mount outlets wall plates and patch panels
- High performance data throughput, meets Category 6 data transfer rates
- Black or white versions available
- Press-fit lead- and solder-free assembly

Specifications

- Dimensions (mm) 36 x 19.2 x 16.6 approx
- Colour: White or black
- Housing: ABS UL94V-0
- Contacts: 3µ"/0.075µm gold plating on 30µ"/0.75µm palladium on nickel plated phosphor bronze

Specifications

Supplied in individual polythene bags then in bags of 20

ROHS Compliant

Code: **SACK90bk**

Features :

- RJ45 complies with FCC part 68 standard
- Jack insertion life >750 mating cycles
- Operating temperature : -40°C~+60°C

Electrical :

- Contact resistance : 20m ohm
- DC Current rating : 1.5Amps
- DC resistance : Max. 0.1 ohm
- Insulation Resistance : 500m ohm
- Dielectric withstanding voltage : 1000V

