

## Specifications

|                          |                  |
|--------------------------|------------------|
| Pitch:                   | 5.08mm           |
| Type:                    | Pluggable        |
| Poles:                   | 2 to 12          |
| Rated Voltage:           | See Table        |
| Rated Current:           | See Table        |
| Operational Temperature: | -40°C to +105°C  |
| Withstand Voltage:       | 2500V AC for 60s |
| Insulation Resistance:   | 500MΩ at 500V DC |
| Wire Range:              | See Table        |
| Wire Stripping Length:   | 6-7mm ± 0.5mm    |
| Screw Size:              | M3               |
| Max. Torque Value:       | 0.5Nm            |
| Wave Soldering:          | 260°C for 5s     |
| Hand Soldering:          | 350°C for 10s    |

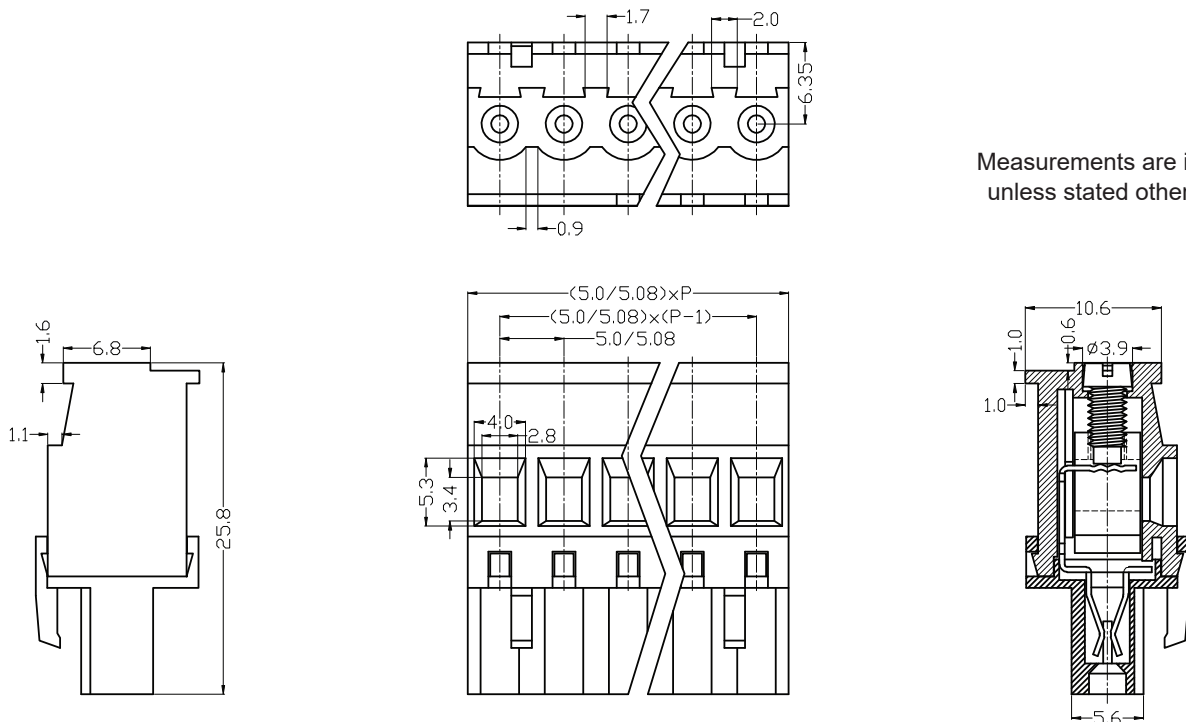


## Colour and Materials

|                   |                        |
|-------------------|------------------------|
| Housing Colour:   | Green                  |
| Housing Material: | PA66                   |
| Flame Retardancy: | UL94-V0                |
| Screw:            | Zinc-plated steel (A3) |
| Wire Cage:        | Nickel-plated brass    |
| Contact:          | Phosphor bronze        |

| Order Code | Poles | Order Code | Poles |
|------------|-------|------------|-------|
| 21-5360    | 2     | 21-5366    | 8     |
| 21-5361    | 3     | 21-5367    | 9     |
| 21-5362    | 4     | 21-5368    | 10    |
| 21-5363    | 5     | 21-5369    | 11    |
| 21-5364    | 6     | 21-5378    | 12    |
| 21-5365    | 7     |            |       |

| Standard | Rated Voltage | Rated Current | Wire Range                        |
|----------|---------------|---------------|-----------------------------------|
| UL       | 300V          | 15A           | 28-12AWG (0.08-4mm <sup>2</sup> ) |
| IEC      | 320V          | 10A           | 2.5mm <sup>2</sup>                |



Measurements are in mm unless stated otherwise.

For further information on pricing, delivery, and long-term stock agreements please get in touch with your local business development contact. Telephone our main office on **01206 838000** or email [Sales@Rapidonline.com](mailto:Sales@Rapidonline.com).

The information contained in this datasheet is subject to change without notice and replaces all data sheets previously supplied.

