

Index Plungers · with hexagon collar, short 22120.0246



Product Description

Index plungers are used for indexing bores.
The small dimensions are a feature of these index plungers.

Material

Body

- Stainless steel 1.4305

Locking pin

- Stainless steel 1.4305, nickel-plated

Knob

- Thermoplastic PA 6, black, dull

Assembly

The screw length can be adapted by distance collars for index plungers (EH 22120.).

Operation

When using locking index plungers, the knob is pulled-out, turned 90° and secured by a notched catch (when locking pin should not overhang).

More information

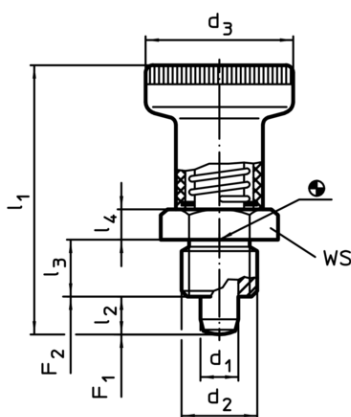
Notes

Knob not removable.
Lock nuts have to be purchased separately.

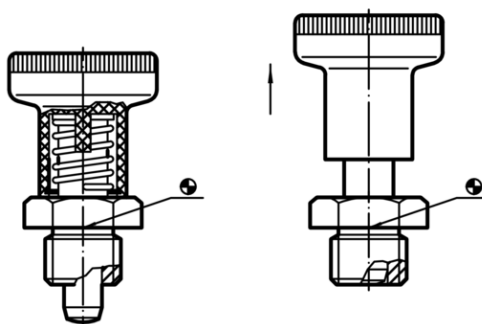
Further products

- Locating Bushings, for index bolts and index plungers
- Distance Collars, for index plungers

Drawing



picture 1





picture 2 with locking

Order information

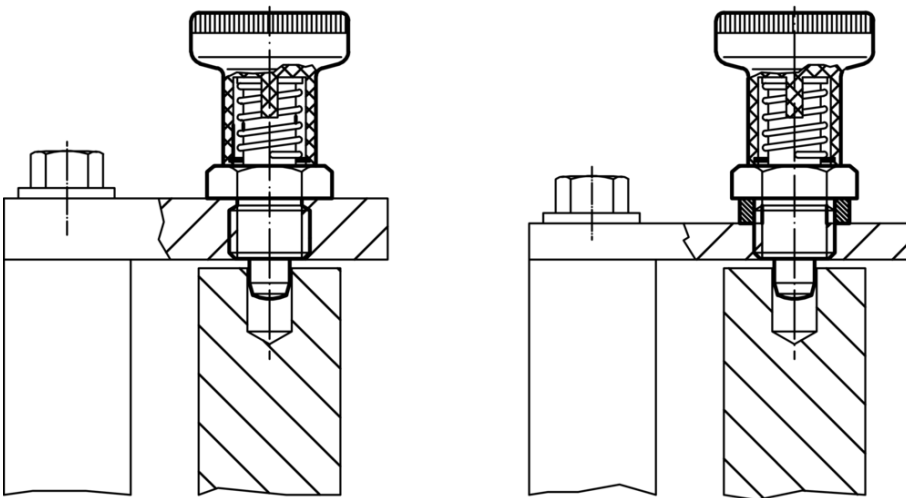
| Dimensions | | | | | | | WS | Spring load ¹⁾ | | Temperature | | Weight [g] | Art. No. |
|--|----------------|----------------|----------------|------------------------|-------------------------|----------------|------|---------------------------|---------------------|-------------|------|------------|------------|
| d ₁ | d ₂ | d ₃ | l ₁ | l ₂ min. | l ₃ -0.15 | l ₄ | | F ₁ ~ | F ₂ ~ | min. | max. | | |
| [mm] | | | | | | | [mm] | [N] | | [°C] | | [g] | |
| -0.02 -0.04 | | | ~ | | | | | | | | | | |
| without locking – picture 1, stainless steel | | | | | | | | | | | | | |
| 6 | M12 x 1,5 | 25 | 45 | 6 | 10 | 5 | 17 | 7 | 19 | -30 | 80 | 35 | 22120.0246 |

¹⁾ statistical average value

Accessories

| | Dimensions d_2 [mm] | Wrench size [mm] |  [g] | Art. No. |
|---|-----------------------------|---------------------|--|------------|
| Lock nuts ISO 8675 (DIN 439), stainless steel | | | | |
|  | M12 x 1,5 | 18 | 7.6 | 22120.0516 |

Application example



Compliance

RoHS compliant

Compliant according to Directive 2011/65/EU and Directive 2015/863

Does not contain SVHC substances

No SVHC substances with more than 0.1% w/w contained - SVHC list [REACH] as of 10.06.2022

Does not contain Proposition 65 substances

No Proposition 65 substances included
<https://www.P65Warnings.ca.gov/>

Free from Conflict Minerals

This product does not contain any substances designated as "conflict minerals" such as tantalum, tin, gold or tungsten from the Democratic Republic of Congo or adjacent countries.