

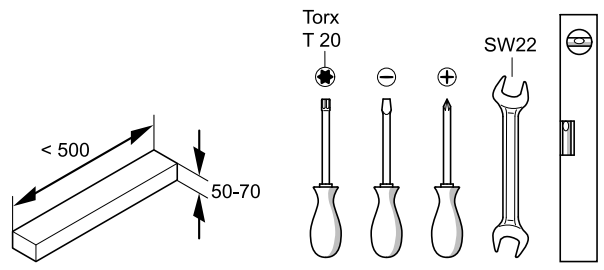
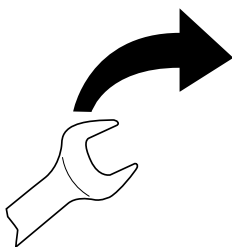
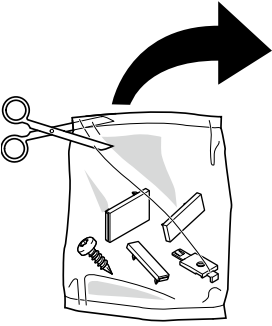
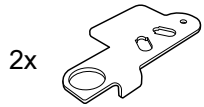
8001270947 (040418)

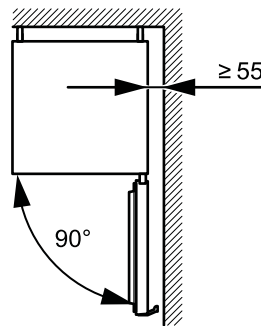
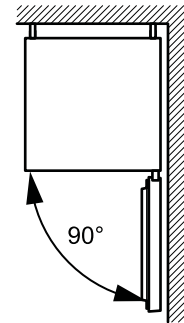
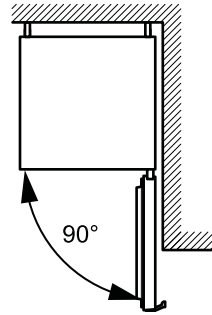
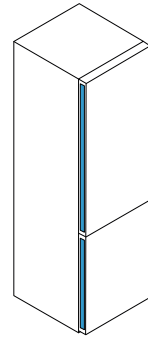
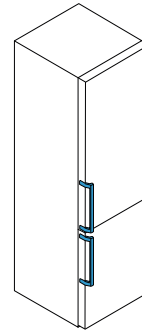
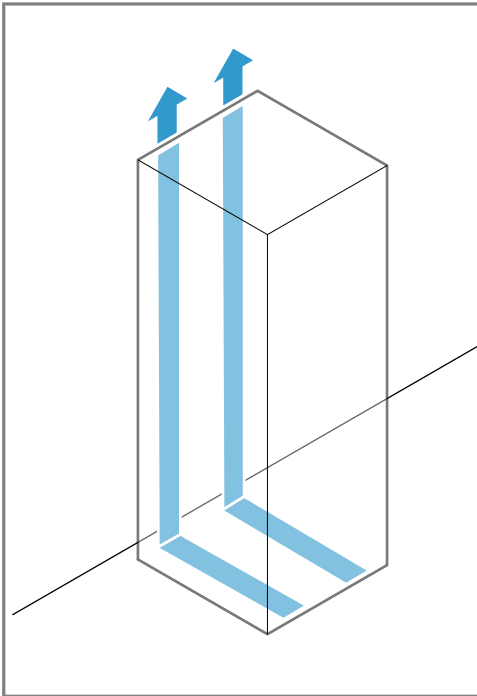
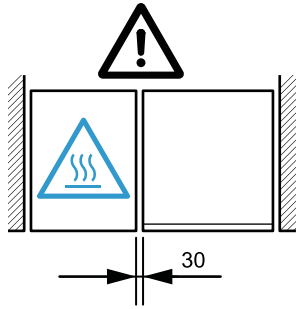


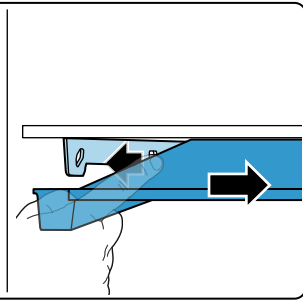
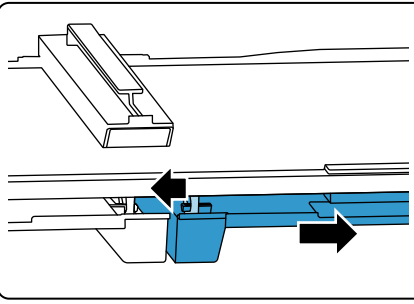
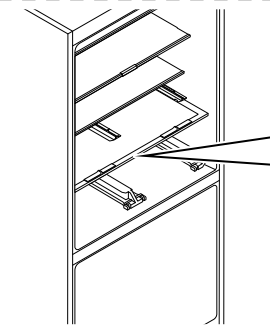
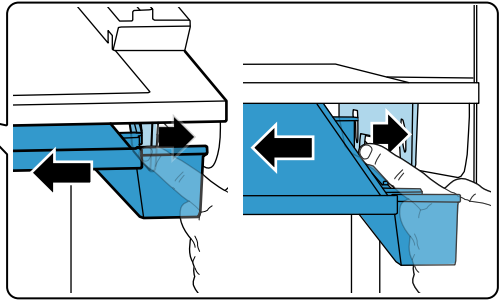
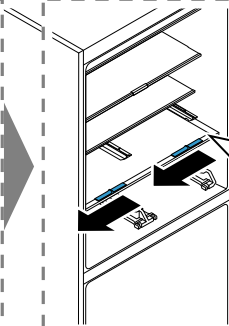
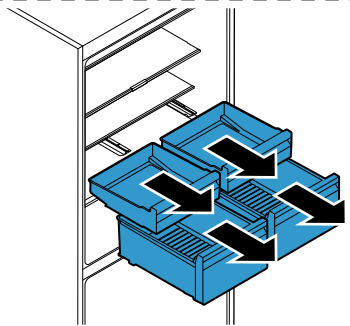
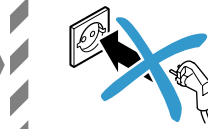
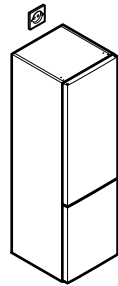
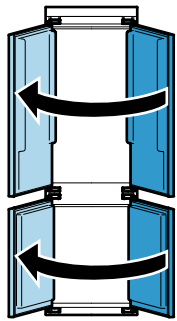
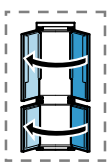
mm

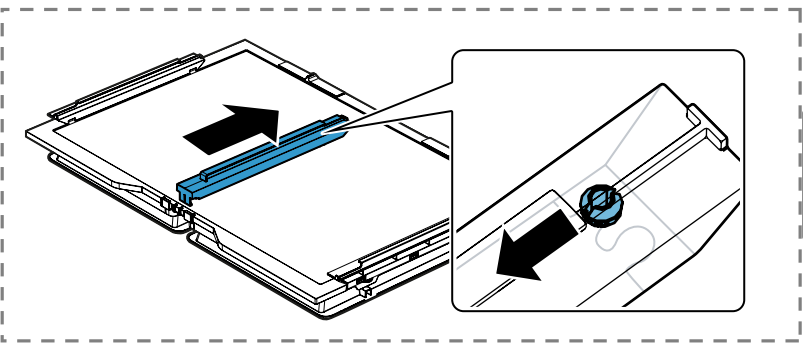
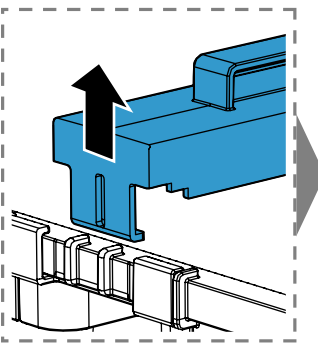
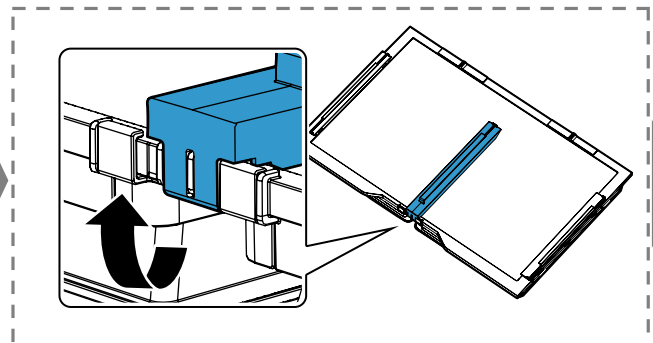
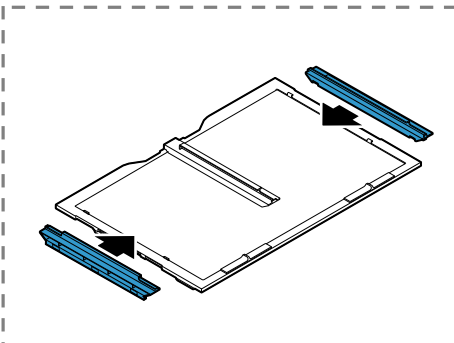
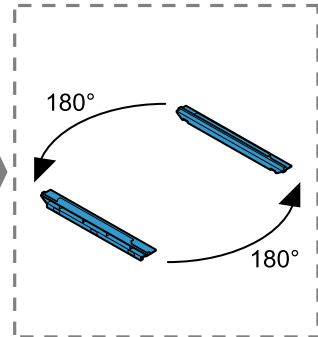
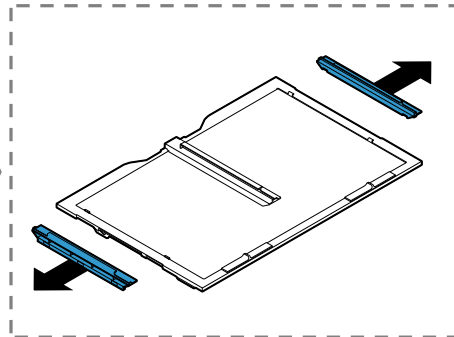
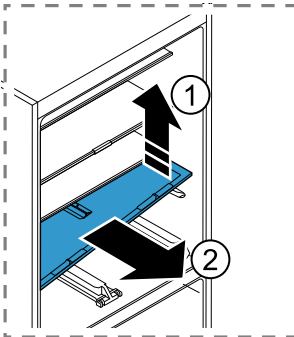
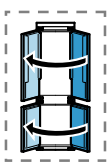
- de** Montageanleitung
- en** Installation instructions
- it** Istruzioni d'installazione
- tr** Kurulum talimatları
- cs** Pokyny k instalaci
- sk** Pokyny na inštaláciu

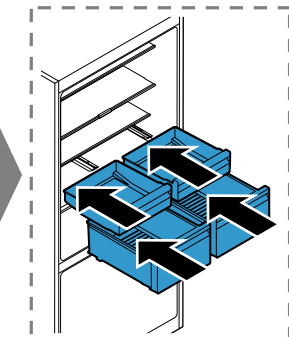
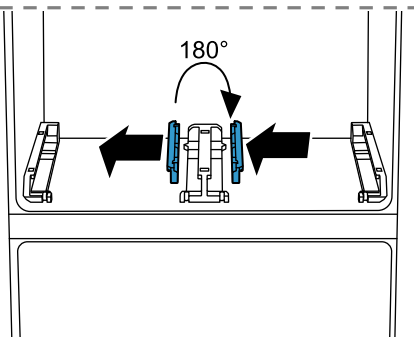
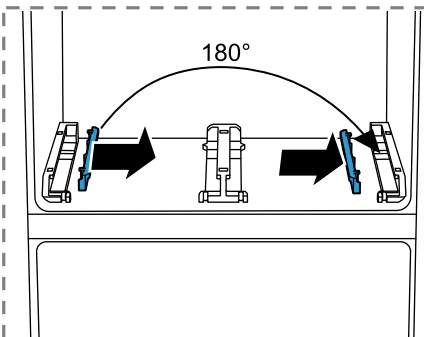
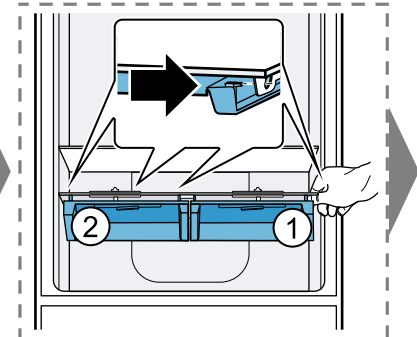
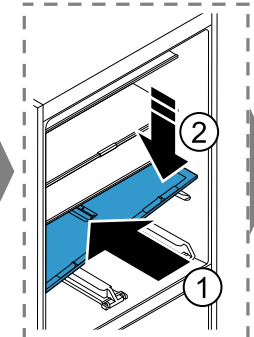
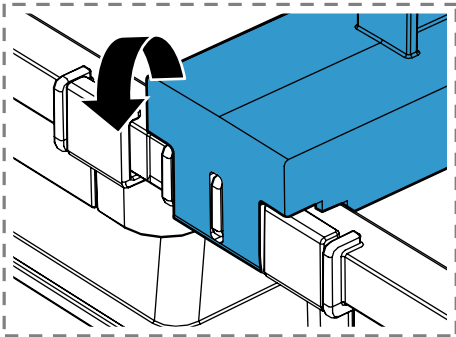
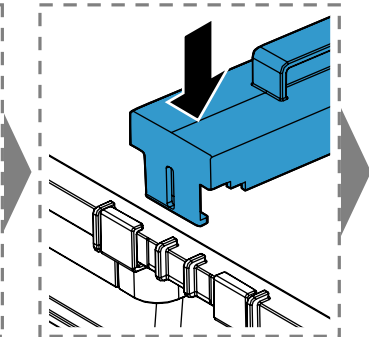
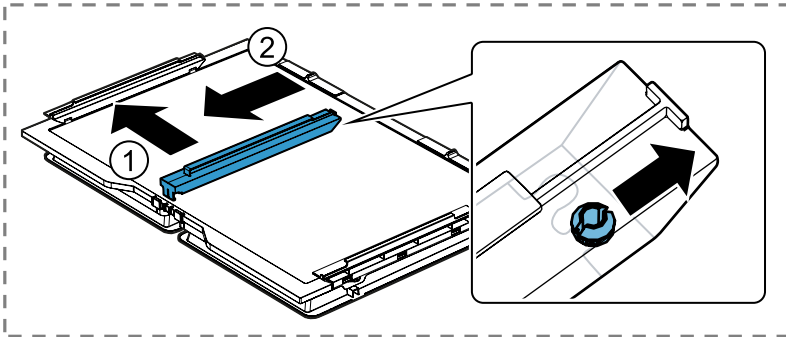
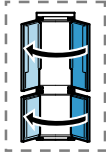
- ru** Инструкция по установке
- ka** ინსტალაციის ინსტრუქციები
- kk** Орнату нұсқаулықтар
- az** Quraşdırma təlimatları
- uz** O'rnatish bo'yicha yo'riqnomalar
- ar** تعليمات التركيب

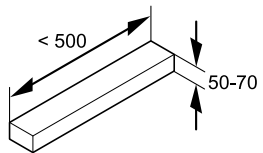
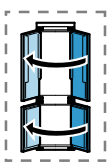




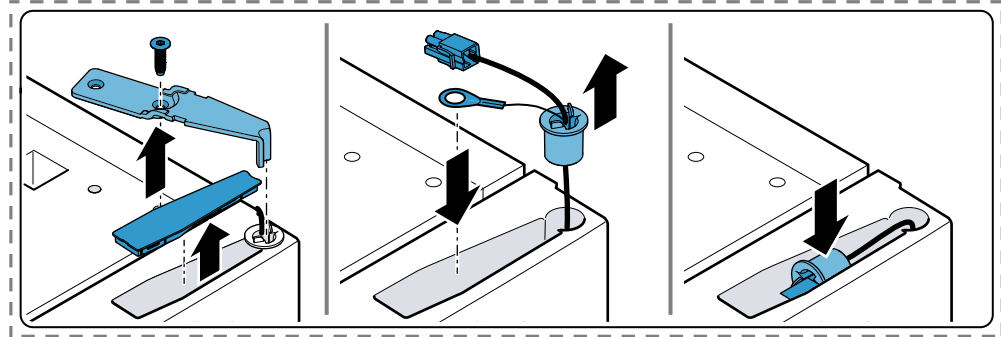
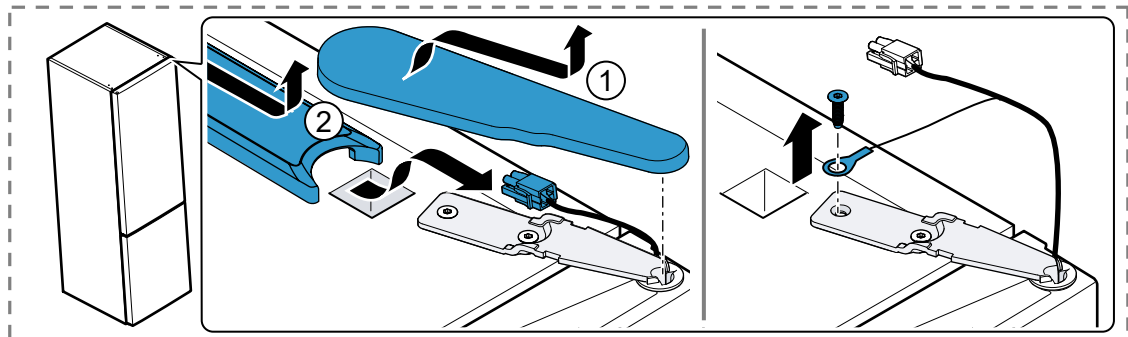
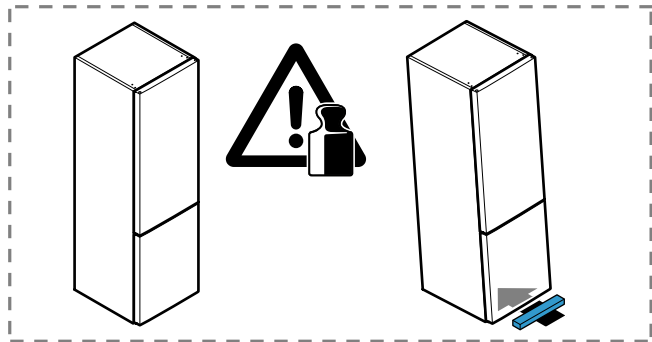
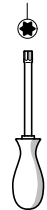


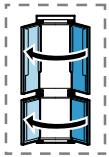




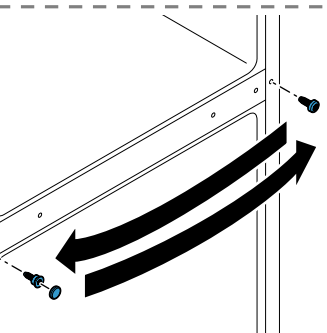
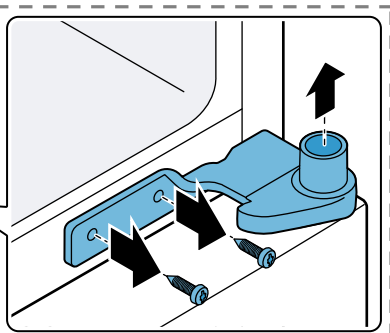
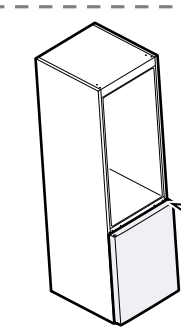
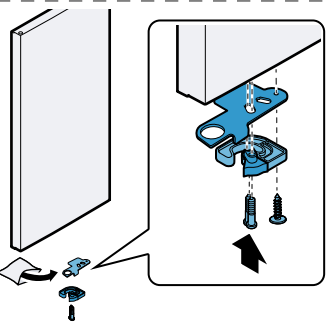
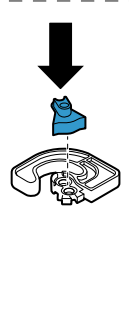
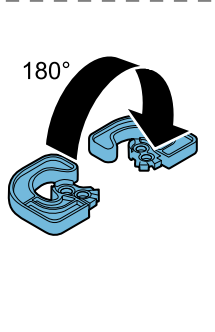
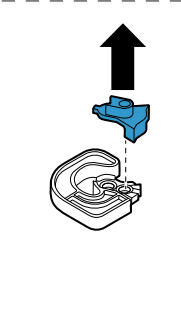
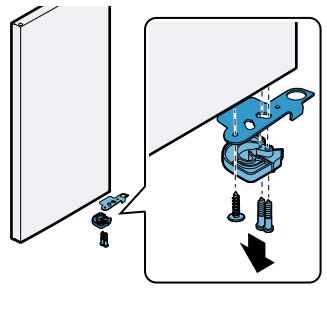
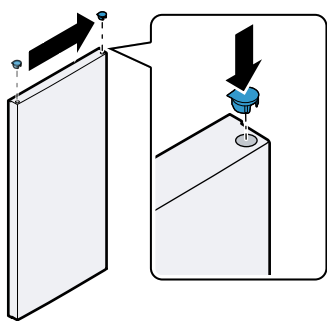
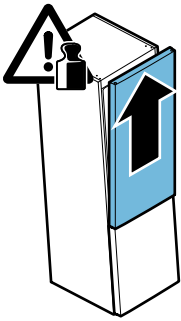
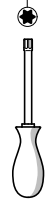


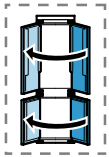
Torx
T 20



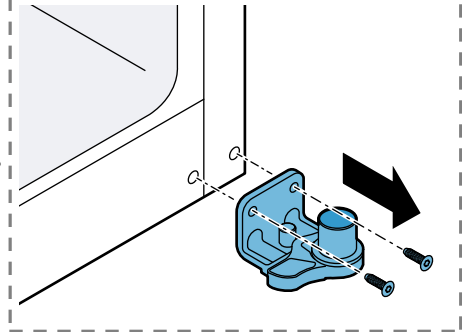
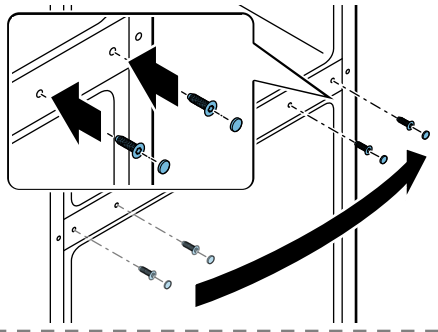
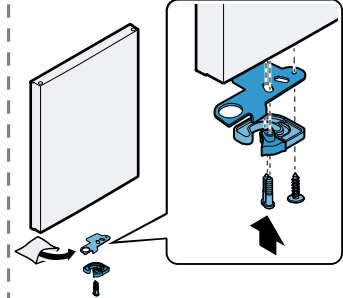
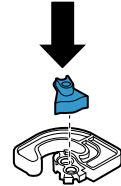
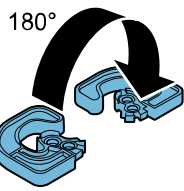
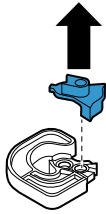
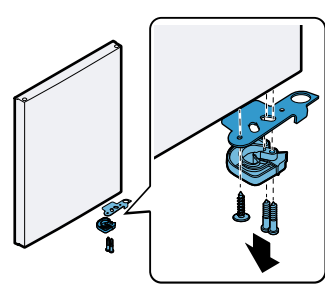
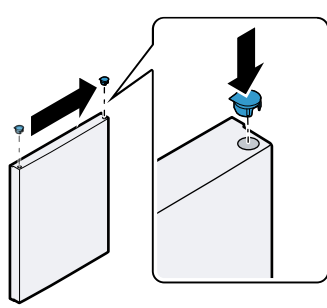
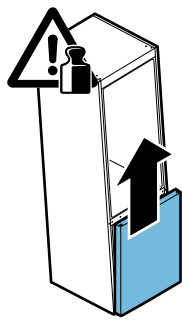


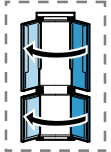
Torx
T 20



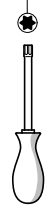


Torx
T 20

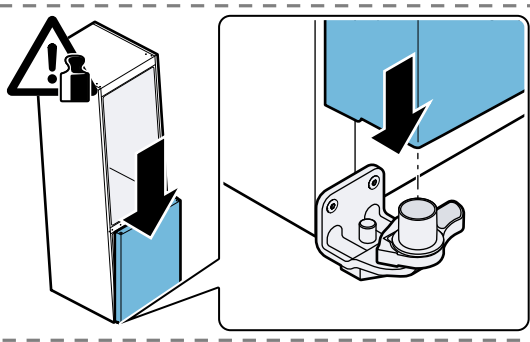
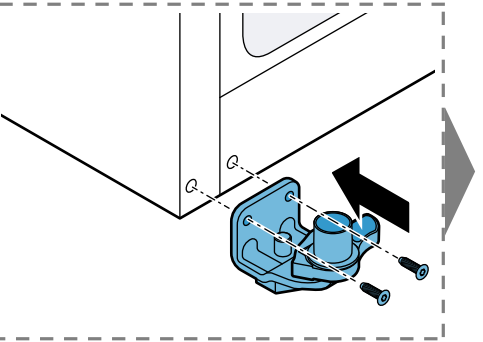
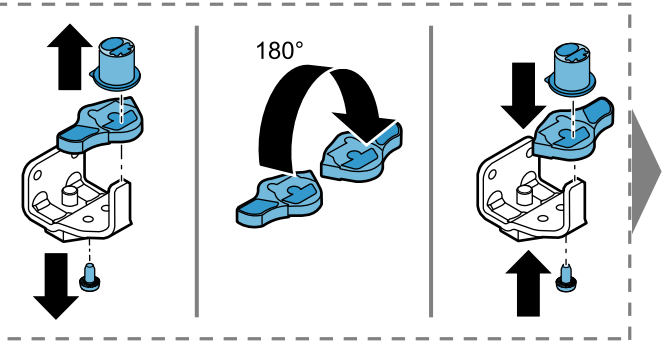
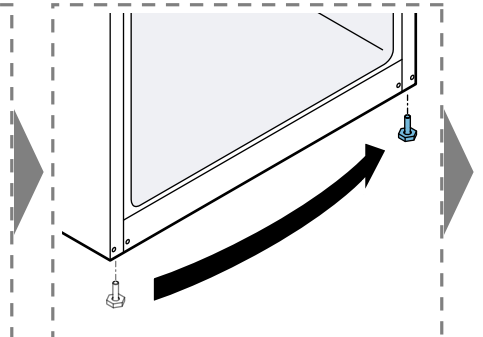
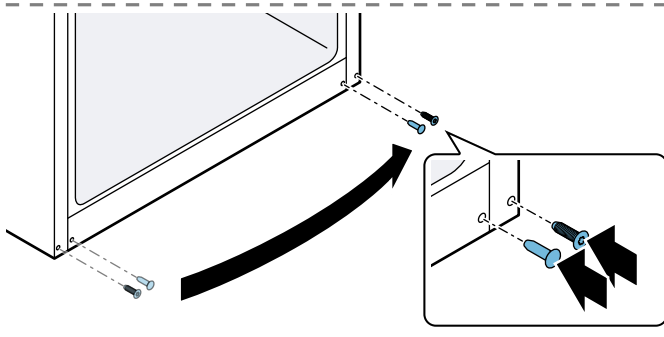
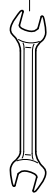


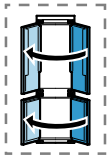


Torx
T 20

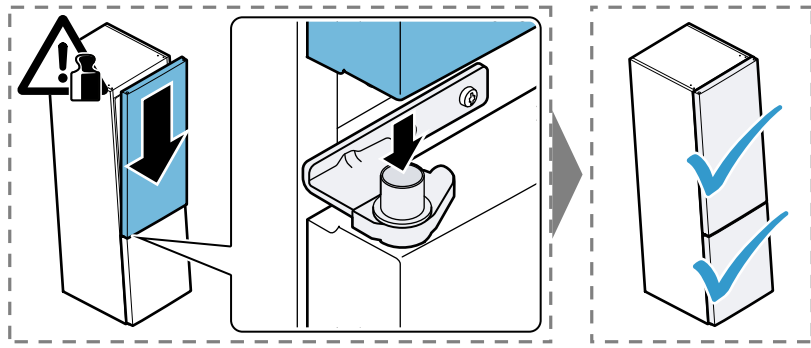
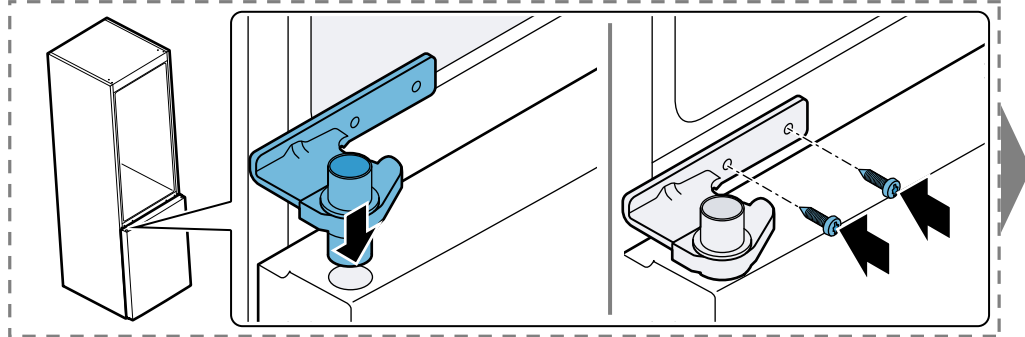


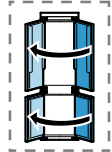
SW22



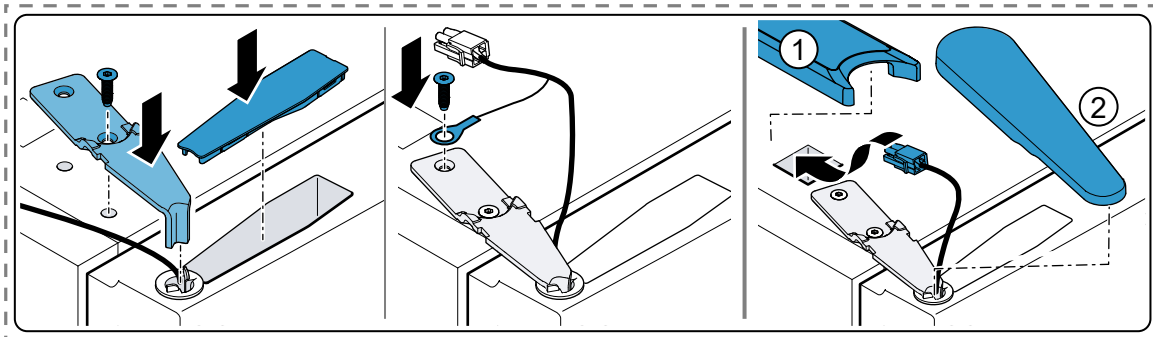
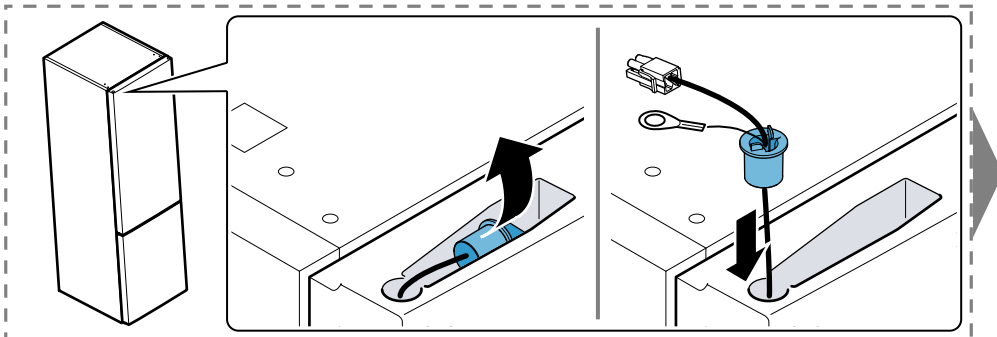
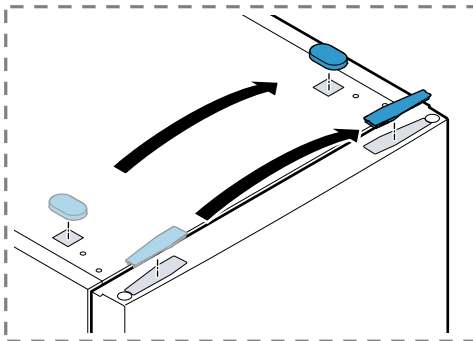
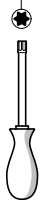


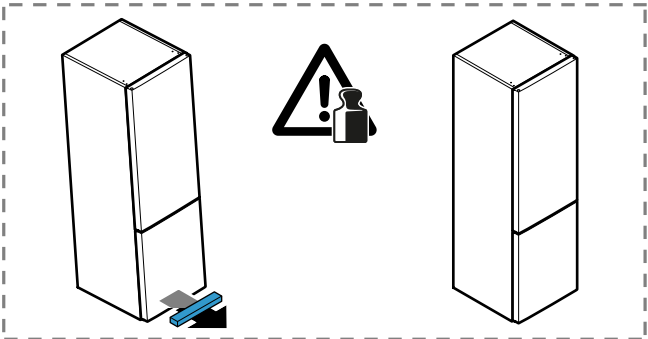
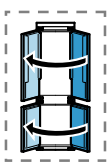
Torx
T 20

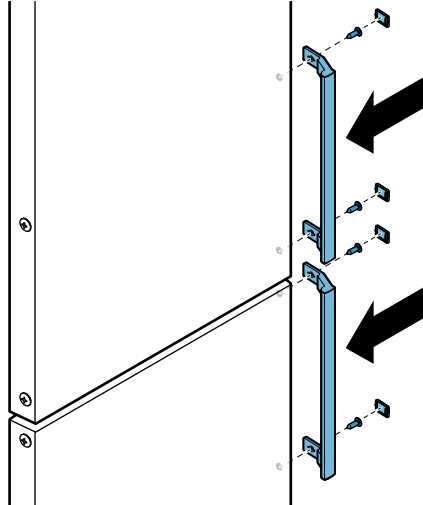
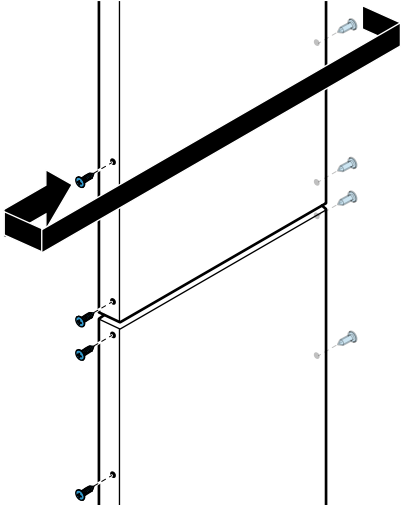
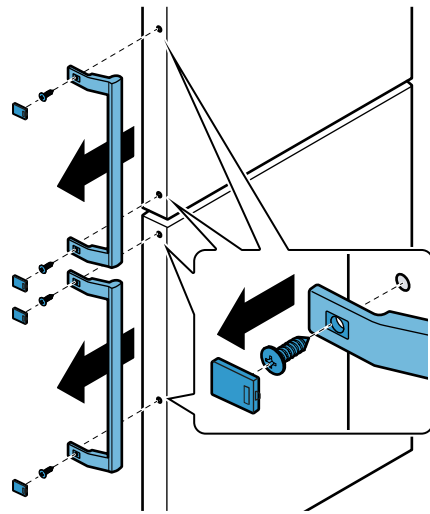
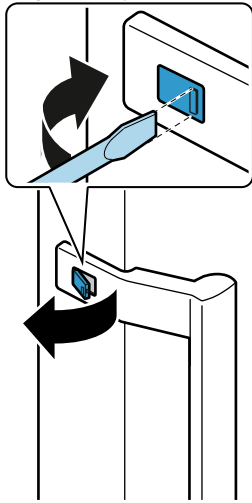
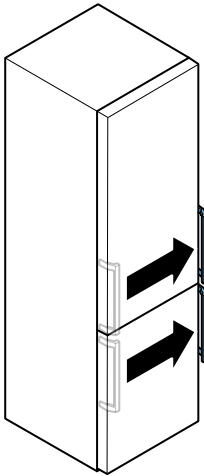
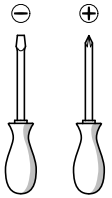
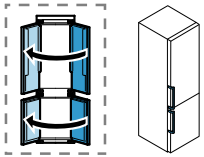




Torx
T 20

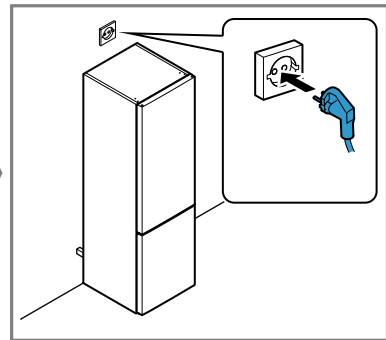
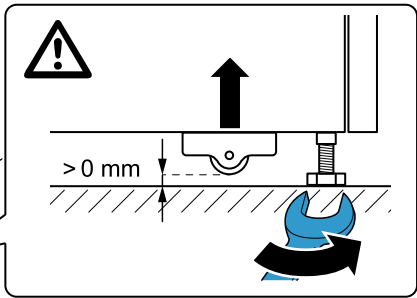
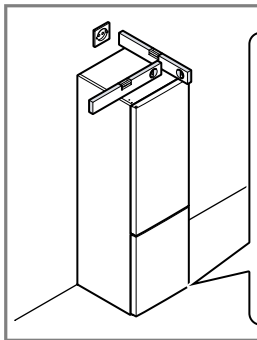
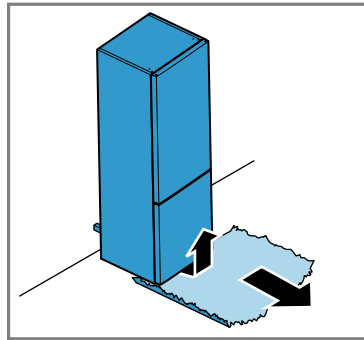
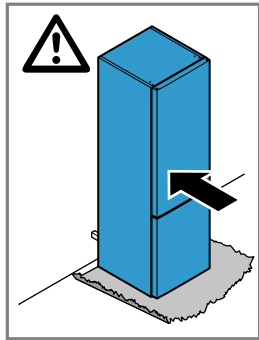
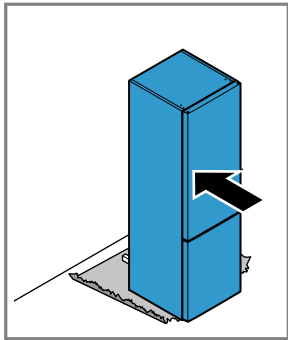
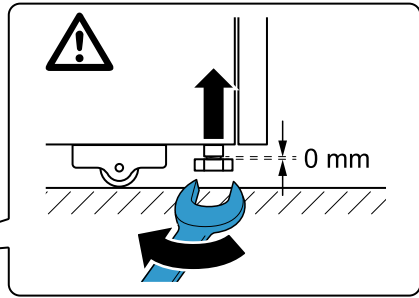
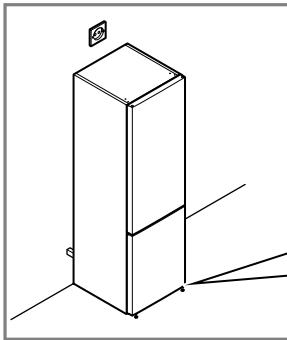
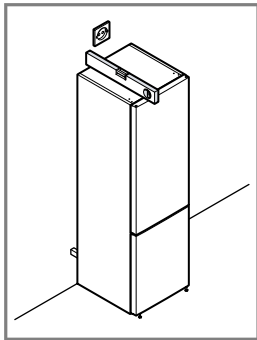
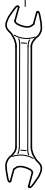








SW22





A series of horizontal lines for writing, positioned to the right of a vertical margin line. The lines are evenly spaced and extend across the width of the page.