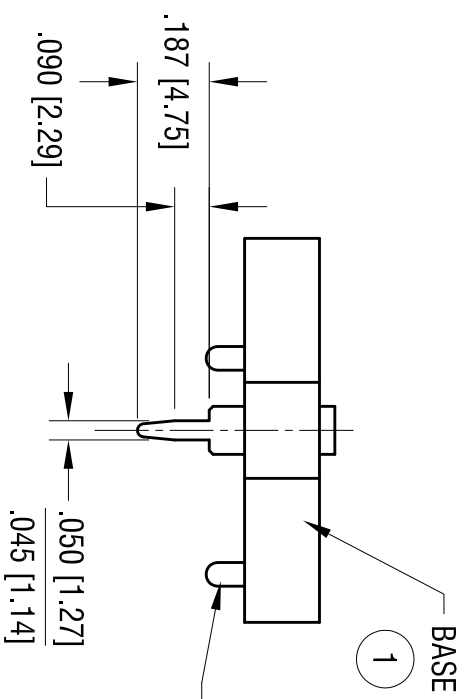
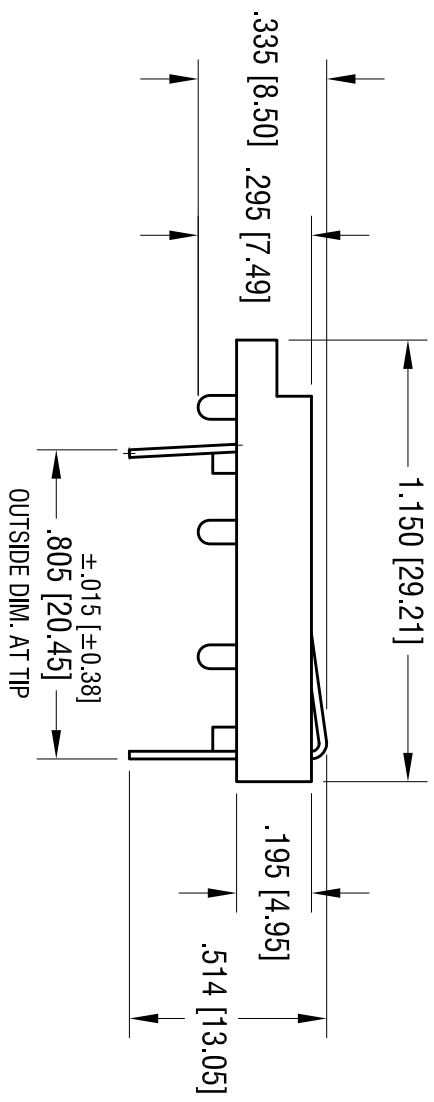
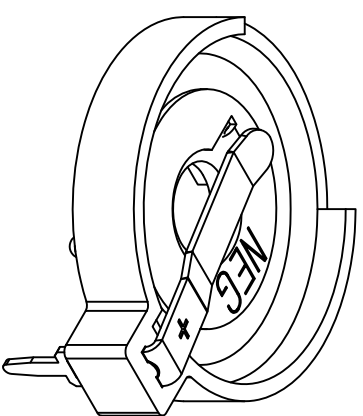
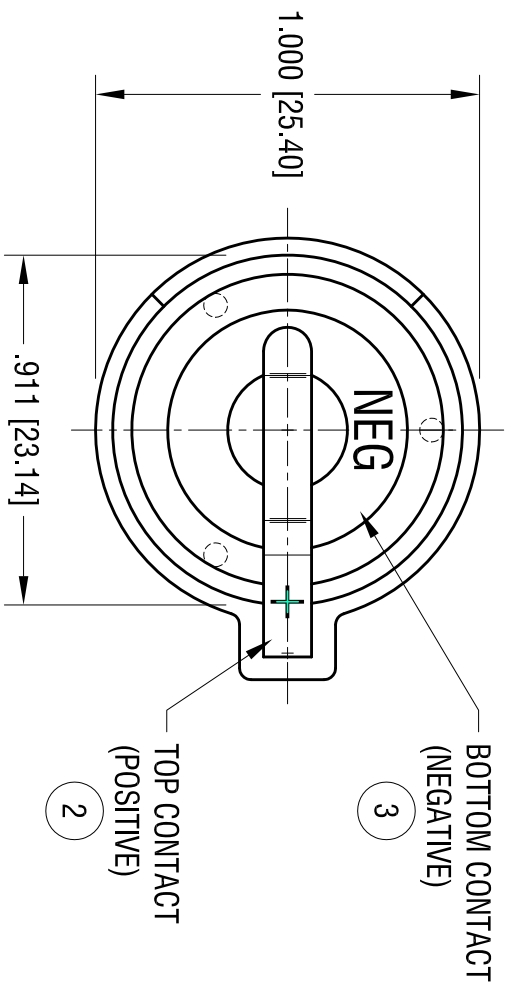


DATE	DESCRIPTION	REV.
9.20.04	CHANGE AS PER ECN 04-111	E
11.2.11	CHANGE AS PER ECN 11-143	F



.062 [1.57] DIA. SUPPORT LEG  
(3) PLS  
ON .750 [19.00] CIRCLE DIA.

THIS DOCUMENT IS THE PROPERTY OF  
KEYSTONE ELECTRONICS CORP. AND  
SHOULD NOT BE REPRODUCED,  
COPIED, OR USED AS A BASIS FOR MANUFACTURE  
WITHOUT PRIOR WRITTEN PERMISSION  
FROM KEYSTONE ELECTRONICS CORP.

**KEYSTONE ELECTRONICS CORP.**  
www.keystec.com • ASTORIA, N.Y. 11105-2017 • Tel (718) 956-8900

PART NAME  
**COIN CELL PC BATTERY HOLDER**

MATERIAL  
**AS NOTED**

FINISH  
**AS NOTED**

TOLERANCES	INCH	[MM]	CODE	DWG NO.
DECIMAL	± .010	[± 0.25]	C	<b>104</b>
ANGULAR	± 1°			

ITEM	DESCRIPTION	MATERIAL/FINISH
1	BASE BLACK	PBT (UL 94V-0)
2	TOP CONTACT	SPRING STEEL .020 [0.50] THK
3	BOTTOM CONTACT	TIN NICKEL PLATE

