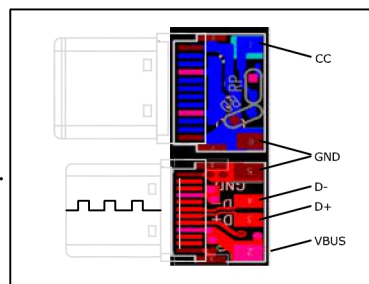


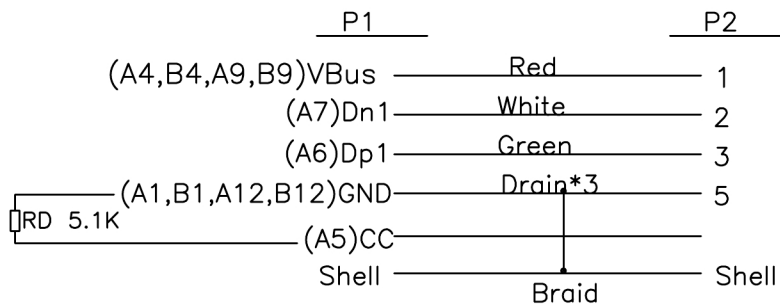
USB2.0 C Type pin:

Electrical Test:

1. 100%Test(Open ,short ,miss wire)
2. Contact Resistance: 2 ohm max.
3. Insulation Resistance: 10M ohm Min.
4. Hi-Pot: 300VDC/10ms.



Pin Assignment



REV.	ECN	DESCRIPTION	DATE	NAME
⑧	A0020100-00174	USB TYPE C~n DOWM Nickel Plated Shell	1	pcs
⑦	A0020100-00175	USB TYPE C~n UP Nickel Plated Shell~	1	pcs
⑥	A10-R075552	H.S TUBE Color:Black φ:1.0 L=16mm*1pcs	0.016	M
⑤	A5-R047011	Transparent PE	6	g
④	A5-R047001	45P PVC Color:Sonw BLACK	16	g
③	B010-00871	USB 2.0 C Type Black Insulation Nickel Plated Shell With PCBA(Resistance5.1KΩ)	1	pcs
②	A2-R028288	Micro USB(B)M Connector Solder Type Nickel Plated Shell, G/F Plated Terminal	1	pcs
①	A4-R003522	NO UL 28AWG(11/0.10TC)*2C+20AWG(26/0.16TC+250D)*1C+E(26/0.16+250D)+ AB(16/8/0.08TC 95%TC) OD:3.5MM BLACK NO MARK	1.0	M
NO	CELINK P/N	DESCRIPTION	Q'TY	

REV.	ECN	DESCRIPTION	DATE	NAME
		TOLERANCE INCHES M/M		
		.X .015 .30		
		.XX .010 .10		
		.XXX .005 .05		
		TITLE: USB2.0 CM TO Micro BM L=1M		
		CUSTOMER :	CPC	
		CUSTOMER NO.:	CS28717	
		CHECK BY	SCALE	NONE
			UNIT	MM
		APPD BY	DATE	2015.05.13
			DRAWING NO.:	C06026-00010
			REV.	A
				1/1