

PLEASE CHECK WWW.MOLEX.COM FOR LATEST PART INFORMATION

Part Number: **5018761040**
Status: **Active**
Overview: iGrid Wire-to-Board Dual-Row System
Description: 2.00mm Pitch iGrid Wire-to-Board Header, Dual Row, Right-Angle, 10 Circuits

Documents:

| | |
|--|--|
| 3D Model | Application Specification 5016460000-A01 (PDF) |
| Drawing (PDF) | Packaging Specification SPK-501876-001-001 (PDF) |
| Product Specification PS-501646-001-001 (PDF) | RoHS Certificate of Compliance (PDF) |
| Application Specification 5016460000-A00 (PDF) | |

Agency Certification

| | |
|-----|---------|
| CSA | LR19980 |
| UL | E29179 |

General

| | |
|----------------|---|
| Product Family | PCB Headers |
| Series | 501876 |
| Application | Signal, Wire-to-Board |
| Overview | iGrid Wire-to-Board Dual-Row System |
| Product Name | iGrid |
| UPC | 822350170871 |

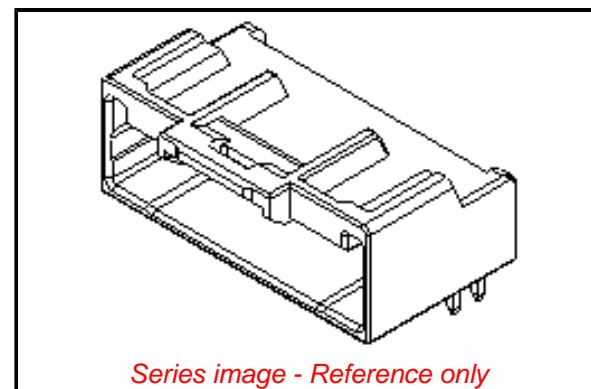
Physical

| | |
|--------------------------------|----------------|
| Breakaway | No |
| Circuits (Loaded) | 10 |
| Circuits (maximum) | 10 |
| Color - Resin | Natural |
| Durability (mating cycles max) | 30 |
| Flammability | 94V-0 |
| Glow-Wire Capable | No |
| Keying to Mating Part | Yes |
| Lock to Mating Part | Yes |
| Material - Metal | Brass |
| Material - Plating Mating | Tin |
| Material - Plating Termination | Tin |
| Material - Resin | Nylon |
| Net Weight | 1293.500/mg |
| Number of Rows | 2 |
| Orientation | Right Angle |
| PC Tail Length | 3.20mm |
| PCB Locator | No |
| PCB Retention | None |
| PCB Thickness - Recommended | 1.20mm, 1.60mm |
| Packaging Type | Tray |
| Pitch - Mating Interface | 2.00mm |
| Polarized to Mating Part | Yes |
| Polarized to PCB | No |
| Stackable | No |
| Surface Mount Compatible (SMC) | No |
| Temperature Range - Operating | -40° to +105°C |
| Termination Interface: Style | Through Hole |

Electrical

| | |
|-------------------------------|------------------|
| Current - Maximum per Contact | 2.0A |
| Voltage - Maximum | 250V AC (RMS)/DC |

Material Info



Series image - Reference only

EU ELV

Not Relevant

EU RoHS

Compliant

REACH SVHC

Not Contained Per -
ED/61/2018 (27 June
2018)

Halogen-Free

Status

Not Low-Halogen

For more information, please visit [Contact US](#)

China ROHS

ELV

RoHS Phthalates

China RoHS

Green Image

Not Relevant

Not Contained

Search Parts in this Series

501876 Series

Mates With

501646 Housing, 501647 Crimp Terminal
22-26 AWG, 501648 Crimp Terminal 26-28
AWG

Reference - Drawing Numbers

Application Specification

Packaging Specification

Product Specification

Sales Drawing

5016460000-A00, 5016460000-A01

SPK-501876-001-001

PS-501646-001-001

SD-501876-001

This document was generated on 10/01/2018

PLEASE CHECK WWW.MOLEX.COM FOR LATEST PART INFORMATION