

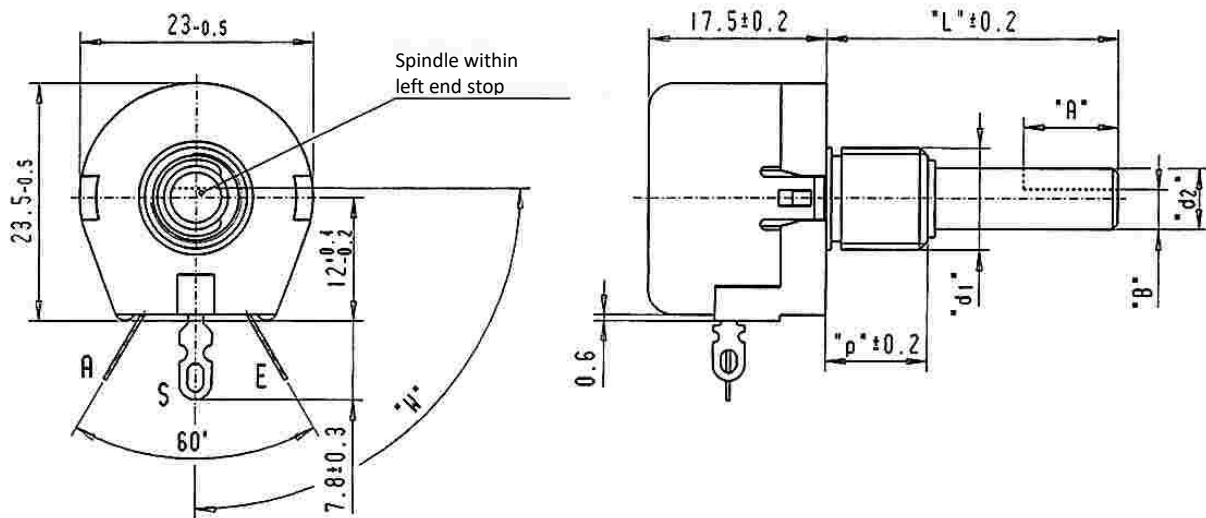
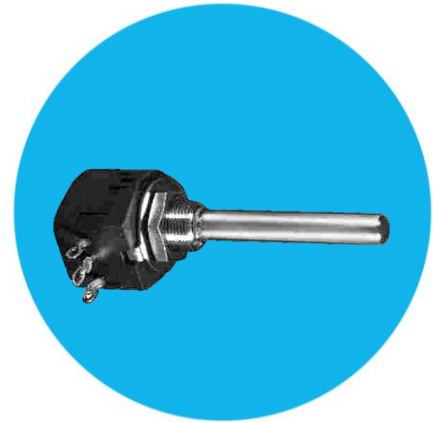
Wirewound rotary potentiometers

Series ABW 1

Type ABW 1

Ordering code no.: 31 096

Basic design: encased, nominal width 23 mm, solder tag terminals



Technical data

Rated resistance range	5 Ω - 22 kΩ	Temperature range	-40 °C to +90 °C
Resistance tolerance	± 10 % (< 10 Ω ± 20 %) on request ± 5 %	Insulation resistance	1 GΩ
Law (resistance taper)	lin (lg on request)	Electrical travel	265° ± 5°
Independent linearity	± 2 % (on request ± 1 %)	Mechanical travel	285° ± 5° on request 270° ± 5°
Rated dissipation	1 W / 40 °C	Operating torque	0.8 - 3 Ncm
Limiting element voltage	300 V	Endstop torque	100 Ncm
Isolation voltage	1 kV~	Durability	10 000 cycles

Spindles
- Metal or plastic moulded
(see table)
- End of spindle according to customer
specification
(length, flat)

l (mm)	p (mm)	d ₂ (mm)	d ₁
standard 50	10, on request 5	6	M10 x 0,75

General Note This datasheet does not give any information on product availability. The information given is just meant to describe the product and is not to be considered as guaranteed characteristics in the legal sense. All products are subject to design changes in the interest of further technical development.

Copyright: AB Elektronik GmbH (GER) ▪ info@abelektronik.de ▪ www.abelektronik.com