

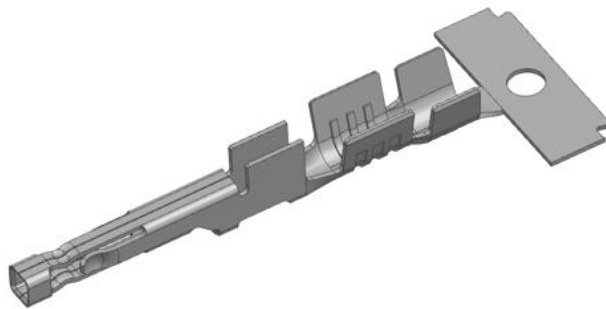


# Product Change Notification

<b>Date Issued :</b>	August 25, 2022	<b>PCN Number :</b>	512557
<b>Reason for Change :</b>	Change Supplier		
<b>Description of Change :</b>	This notification is to inform you about change of supplier impacting the part(s) attached as per list, No changes will be made to product as part of this change.		
<b>Reason for Short Notice :</b>	Supplier Constraints		
<b>Assessment of Change :</b>	First Article Inspection		
<b>Planned Implementation Date :</b>	December 20, 2022		
<b>Sample Availability Date:</b>	October 02, 2022		
<b>Internal Molex Qualification Date :</b>	December 20, 2022		
<b>Last date to request Samples by Customer :</b>	December 01, 2022		
<b>Traceability Code Markings / Date :</b>	Date code		

Before Picture

## Product Picture



172253\*

After Picture

**CFD- Metal 648971083**

- Because current vendor Kemper stopped producing C19210 and C42500 metal alloy, we must qualify new source Boway to keep production running. Metal alloys are not changed. Boway is one of local metal supplier in China.
- Product Impact
  - no impact to fit, form or function
  - ✓ Before: C19210 WOP 0.203 X 26.00(H08) P/N: 648971083
  - ✓ After: C19210 WOP 0.203 X 26.00(H08) P/N: 648971083
  - ✓ Product will be fully qualified before it is shipped. Qualification reports will be available after below listed date.

# RELEASED

You may address inquires regarding this PCN by clicking on the below link  
[mailto:pcn\\_coordinator@molex.com?subject=PCN\\_Notification:512557](mailto:pcn_coordinator@molex.com?subject=PCN_Notification:512557)  
or contact your Local Sales Engineer.

Note: While responding, please retain " PCN Notification : **PCN Notification: 512557** " in the e-mail Subject line for faster response.

**Molex, LLC**  
2222 Wellington Court  
Lisle, IL 60532  
TEL (800) 786-6539  
[www.molex.com](http://www.molex.com)