

5.25" Polypropylene Cone Woofer

multicomp PRO



Specifications

Dimensions	: 5.25" (134×134mm)
Impedance	: 8Ω
Input	: Rated 40W, Max. 80W
Free Air Resonance	: 65 ±13Hz
Sensitivity	: 86±2 dB/W/M, 2.83V
Frequency Range	: FO ~ 6000Hz
Sine Wave Test	: 8V
Weight	: 800 grams
Life Test	: 40W, 8H, EIA white noise
Basket	: Stamped Steel
Dust Cap	: Treated Cloth

Voice Coil

Diameter	: 25.4mm
Length	: 8mm
Layer	: 2mm
Former Material	: Aluminium (ASV)
Wire Material	: Copper (SVW)

Cone Paper

Cone Material	: Coated non-pressed paper
Surround Material	: Rubber

Magnet

Diameter	: 80mm
Height	: 20mm
Material	: Ferrite
Weight	: 377g
Gap(H)	: 4mm

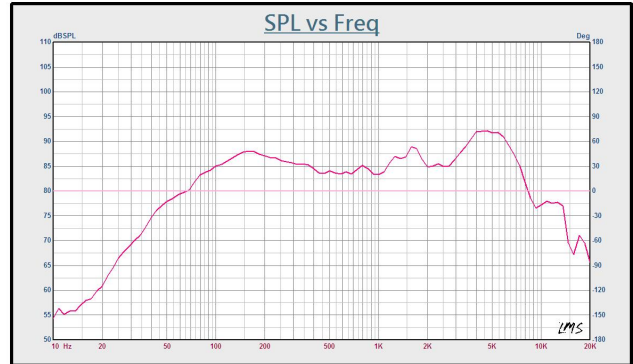
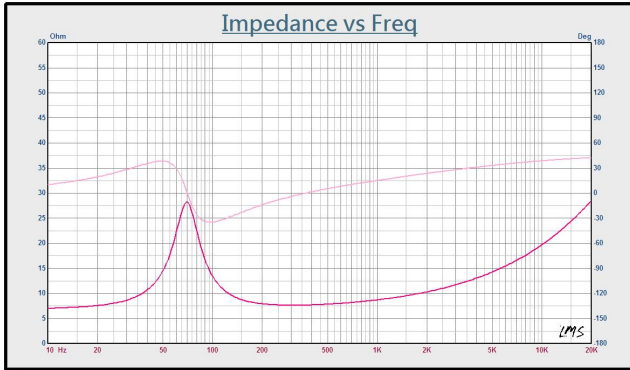
Parameters

DC Resistance	: Re: 6.8Ω
Resonance Frequency	: Fs: 69.8Hz
Maximum Impedance	: Zm: 28.2Ω
Mechanical Q Factor	: Qms: 2.841
Electrical Q Factor	: Qes: 0.911
Total Q Factor	: Qts: 0.69
Linear Displacement	: Xmax: 2mm
Moving Mass	: Mms: 8.722g
Equivalent Volume	: Vas: 6.344(1)
Sensitivity	: SPL: 85.6 (dB)
Suspension Compliance	: Cms: 0.596mm/N
BL product	: Bl: 5.345 (N/A)
Driver Piston Diameter	: D: 105mm
Voice Coil Inductance	: Le(1K): 0.63mH

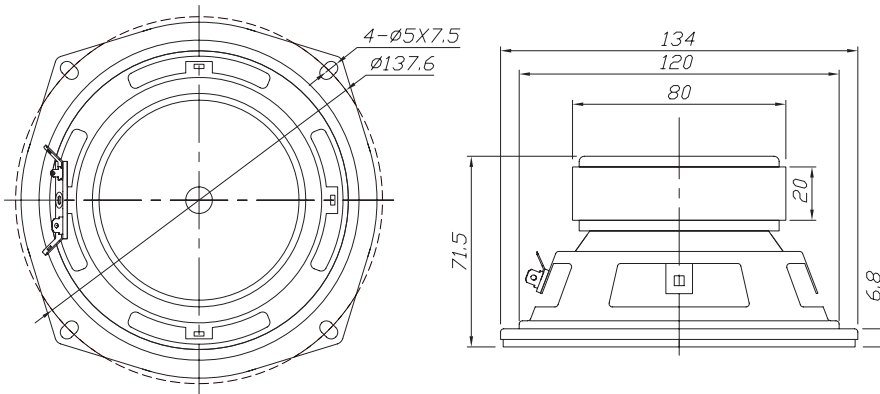
Newark.com/multicomp-pro
Farnell.com/multicomp-pro
sg.element14.com/b/multicomp-pro

multicomp PRO

5.25" Polypropylene Cone Woofer



Diagram



Part Number Table

Description	Part Number
5.25" Polypropylene Cone Woofer, 8Ω	55-1205

Dimensions : Millimetres

Important Notice : This data sheet and its contents (the "Information") belong to the members of the AVNET group of companies (the "Group") or are licensed to it. No licence is granted for the use of it other than for information purposes in connection with the products to which it relates. No licence of any intellectual property rights is granted. The Information is subject to change without notice and replaces all data sheets previously supplied. The Information supplied is believed to be accurate but the Group assumes no responsibility for its accuracy or completeness, any error in or omission from it or for any use made of it. Users of this data sheet should check for themselves the Information and the suitability of the products for their purpose and not make any assumptions based on information included or omitted. Liability for loss or damage resulting from any reliance on the Information or use of it (including liability resulting from negligence or where the Group was aware of the possibility of such loss or damage arising) is excluded. This will not operate to limit or restrict the Group's liability for death or personal injury resulting from its negligence. Multicomp Pro is the registered trademark of Premier Farnell Limited 2019.

Newark.com/multicomp-pro
 Farnell.com/multicomp-pro
 sg.element14.com/b/multicomp-pro

