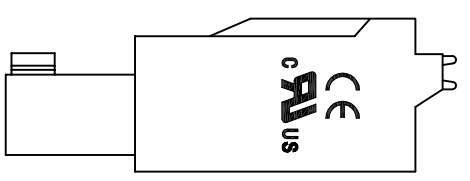
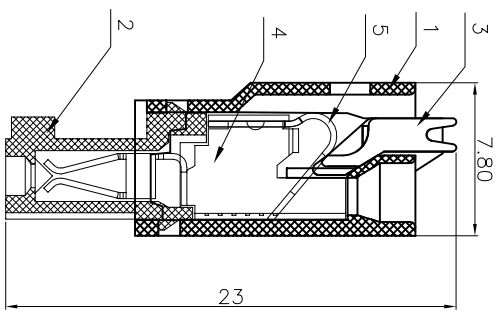
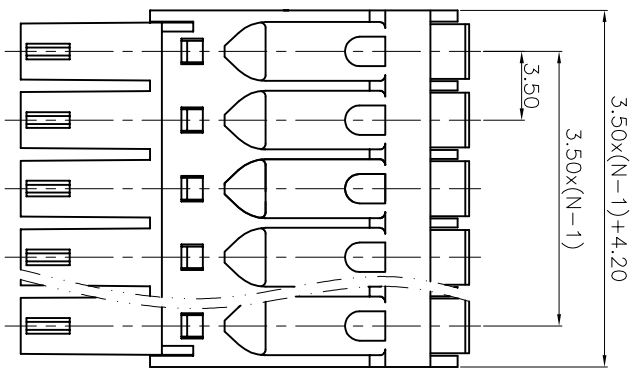
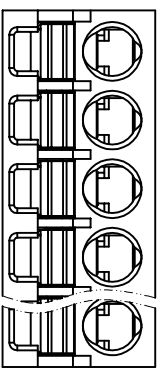


REVISION RECORD			
REV	ECN	DESCRIPTION	DRFT DATE
10-5		整理図面	XLM 01/16/14



- NOTES:
- 1.DIMENSION SHALL BE INTERPRETED PER ASME Y14.5-2009.
 - 2.PITCH:3.5MM ,POLES:N=2-20P
 - 3.RATED VOLTAGE/CURRENT:300V/8A(U) 250V/8A(EC)
 - 4.OPERATION TEMPERATURE:-40C~+105C
 - 5.RATED IMPULSE VOLTAGE:2.5KV
 - 6.INSULATION RESISTANCE:500MΩ /DC1000V
 - 7.WIRE RANGE:28~16AWG(U/L),0.2~1.0MM²(VDE)
 - 8.UNDIMENSIONED TOLERANCES:

PITCH RANGE IN MM	NOMINAL DIMENSION RANGE MM					
	OVER 10	OVER TO 24	OVER 30 TO 60	OVER 60 TO 100	OVER 100 TO 150	OVER 150
±0.10±0.15	±0.25	±0.20	±0.30	±0.50	±0.70	±1.00
±0.05/10						±0.05/10

ITEM	NAME OF PART	NO. OF PART	Q'TY	MATERIAL	NOTES
5	15EDGKN-3.5-Spring	X000001910(H)	N	Steel	
4	15EDGKN-3.5-Clamp	1103B00010(H)	N	Bronze	Sn Plated
3	15EDGKN-3.5-Button	1103D0501A(H)	N	POM	UL94HB
2	15EDGKN-3.5-cover	1103C00YXXA(H)	1	PA66	UL94V-0
1	15EDGKNG-3.5-housing	1103A0YXXA(H)	1	PA66	UL94V-0

DETACHED LISTS

<p>TOLEANCES EXCEPT AS NOTED</p> <p>MM (INCH)</p> <p>XX ± .XX ±</p> <p>XXX ± .XXX ±</p> <p>ANGLES ± 1°</p> <p>THIRD ANGLE PROJECTION</p>	<p>MATERIAL:</p> <p>FINISH:</p> <p>PART NO.:</p> <p>NAME:</p> <p>15EDGKN-3.5-XXP-1Y-00A(H)</p> <p>TITLE: ASSEMBLY DRAWING</p> <p>DRAWING NO.: 15EDGKN-3.5-E01</p> <p>DO NOT SCALE DRAWING</p>	<p>DRFT: XLM 10/16/13"</p> <p>SCALE: N/A</p> <p>REV: TO-5</p> <p>SHEET: 1/1</p>
--	---	---

DEGSON 宁波高正电子有限公司
DEGSON ELECTRONICS CO., LTD

A B C D E F G H

A B C D E F G H