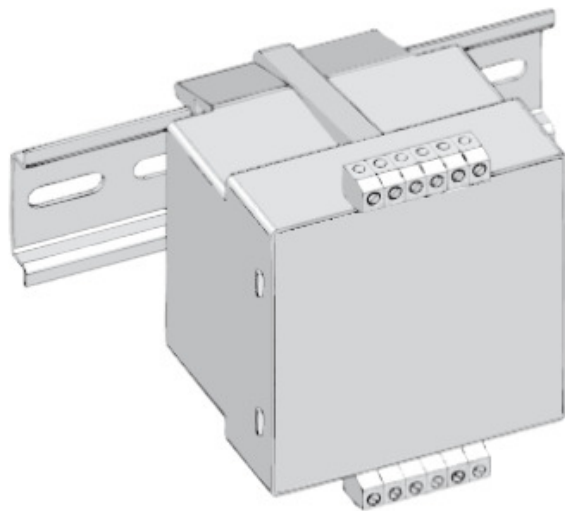




**NORDIC POWER**

**Encapsulated 1 Phase EI Transformer for DIN Rail.**





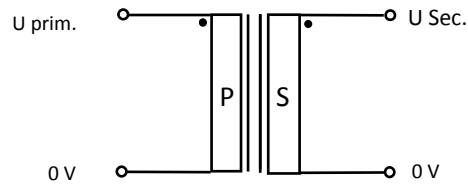
# Encapsulated 1 Phase EI Transformer for DIN Rail

The standard moulded 1 phase EI transformers with screw connectors and DIN rail TS35 mount designed according to the following specifications.

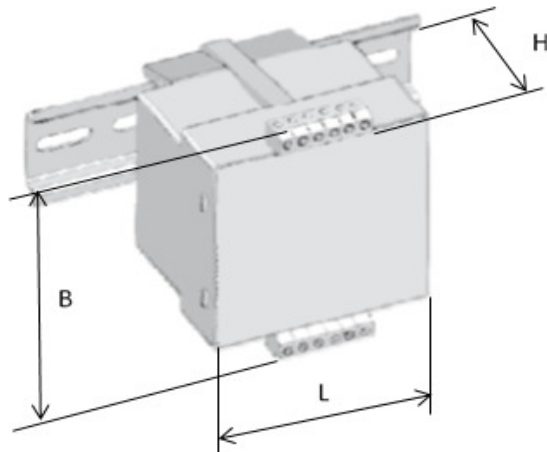
- High quality safety and isolating transformers designed for use in general applications
- Standard primary winding 230VAC
- Encapsulated in resin
- Detailed product specification on permanent label
- High efficiency, low regulation design
- 100% electrical and flash tested
- For TS35 DIN Rail mount.

### Specifications:

Power: 12 - 100 VA  
 Frequency: 50/60 Hz  
 Primary: 230 VAC  
 Secondary: 6, 9, 12, 24, 48, 115, 230 VAC  
 Isolation: 4 kV RMS  
 Temp. class: B (130°)  
 Approvals: EN61558



Technical specification	
Power	Overall Size
[VA]	L x B x H [mm]
12	54 x 87 x 50
20	60 x 90 x 55
30	66 x 94 x 64
50	72 x 96 x 69
63	85 x 104 x 79
80	85 x 104 x 79
100	85 x 104 x 79



Power [VA]	Prim.[V]	Secondary [V]
12	230V	6, 9, 12, 24, 42, 48, 115, 230
20		6, 9, 12, 24, 42, 48, 115, 230
30		6, 9, 12, 24, 42, 48, 115, 230
50		6, 9, 12, 24, 42, 48, 115, 230
63		6, 9, 12, 24, 42, 48, 115, 230
80		6, 9, 12, 24, 42, 48, 115, 230
100		6, 9, 12, 24, 42, 48, 115, 230

**Standard Transformers:**Primary 230Vac  
Secondary 6Vac

Rating	Type designation
12VA	120001
20VA	120009
30VA	120017
50VA	120025
63VA	120033
80VA	120041
100VA	120049

Primary 230Vac  
Secondary 9Vac

Rating	Type designation
12VA	120002
20VA	120010
30VA	120018
50VA	120026
63VA	120034
80VA	120042
100VA	120050

Primary 230Vac  
Secondary 12Vac

Rating	Type designation
12VA	120003
20VA	120011
30VA	120019
50VA	120027
63VA	120035
80VA	120043
100VA	120051

Primary 230Vac  
Secondary 24Vac

Rating	Type designation
12VA	120004
20VA	120012
30VA	120020
50VA	120028
63VA	120036
80VA	120044
100VA	120052



Primary 230Vac  
Secondary 42Vac

Rating	Type designation
12VA	120005
20VA	120013
30VA	120021
50VA	120029
63VA	120037
80VA	120045
100VA	120053

Primary 230Vac  
Secondary 48Vac

Rating	Type designation
12VA	120006
20VA	120014
30VA	120022
50VA	120030
63VA	120038
80VA	120046
100VA	120054

Primary 230Vac  
Secondary 115Vac

Rating	Type designation
12VA	120007
20VA	120015
30VA	120023
50VA	120031
63VA	120039
80VA	120047
100VA	120055

Primary 230Vac  
Secondary 230Vac

Rating	Type designation
12VA	120008
20VA	120016
30VA	120024
50VA	120032
63VA	120040
80VA	120048
100VA	120056