



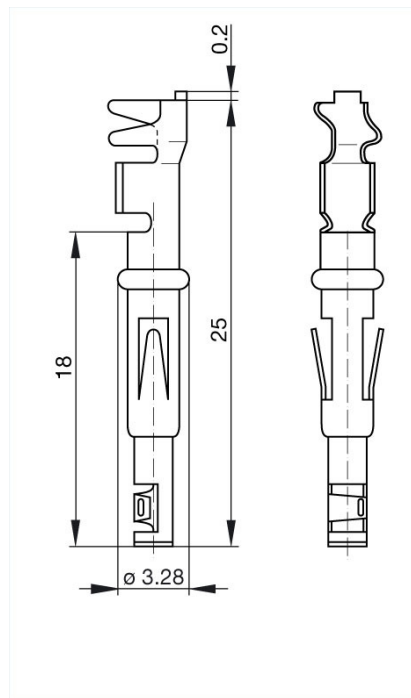
RBC 162 Ag

Industrial Connectors:Contacts, crimping systems, accessories:Contacts

Product description

Description	rolled engaging crimp contact (socket), BO crimp
Type	RBC 162 Ag
Order No.	731 724-221
Conductor size	0.5 mm ² to 1.5 mm ²

Drawing



Technical data

Type of termination	crimping
Pin dimensions	1.6 mm

Material

Contact material	Cu Zn
Contact surface material	Ag

Packing unit

Packaging unit	100 pieces
----------------	------------

Scope of delivery and accessories

Accessories to order separately

suitable for NR-series and ST-series (5 pole) connectors
suitable crimping tool:
crimping pliers XZC 0701
suitable ejection tool: XWA 164