

# GN 416.1 | Positioning flange

Zinc alloy

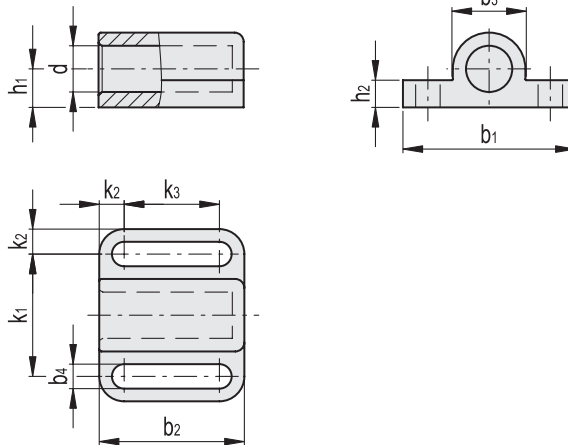
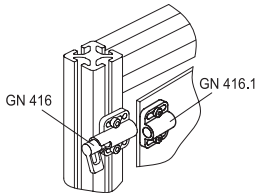


## MATERIAL

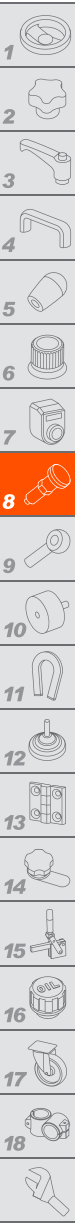
Die-cast zinc alloy, epoxy resin coating, black colour, matte finish.

## FEATURES AND APPLICATIONS

GN 416.1 positioning flanges are very useful accessories for optimal positioning of indexing plungers GN 416 (see page 796).



Code	Description	d+0.15-0.05	b1	b2	b3	b4	h1	h2	k1	k2	k3	⚖️
GN.27861	GN 416.1-6-38	6.2	38	28	16	5.4	8.5	6	27	5.5	17	51
GN.27863	GN 416.1-8-38	8.2	38	28	16	5.4	8.5	6	27	5.5	17	47
GN.27864	GN 416.1-8-46	8.2	46	38	20	6.4	11	6	33	6.5	25	94
GN.27866	GN 416.1-10-38	10.2	38	28	16	5.4	8.5	6	27	5.5	17	96
GN.27867	GN 416.1-10-46	10.2	46	38	20	6.4	11	6	33	6.5	25	87
GN.27869	GN 416.1-12-46	12.2	46	38	20	6.4	11	6	33	6.5	25	79



Indexing and positioning elements