

# SIMONWORK BT1 BOX 1200



**144,5 x 121 x 61 cm**  
**56.9" x 47.6" x 24.0"**

**5** Años Garantía  
 Years Guarantee  
 Jahre Garantie  
 Ans Garantie  
 Anos de Garantia  
**SIMONRACK**



144,5 cm (56.9")  
 60,3 cm (23.7")



- |  |                                |  |                       |                                 |   |
|--|--------------------------------|--|-----------------------|---------------------------------|---|
| 2 x<br>144 cm<br>56.7"                   | 2 x<br>84 cm<br>33.1"          | 1 x MDF 60x120 cm<br>23.6"x47.2"<br>1 x 35x120 cm<br>13.8"x47.2" | 4 x<br>60 cm<br>23.6" | 3 x<br>120 cm<br>47.2"          | 6 x<br>9,5x19 cm<br>3.7"x7.5"                       |
| 1 x<br>120 cm<br>47.2"<br>60 cm<br>23.6" | 3 x<br>120x20 cm<br>47.2"x7.9" | 6 x  | 2 x<br>60 cm<br>23.6" | 2 x<br>60 cm<br>(22.8")<br>10 x | 1 x<br>35 kg<br>(80 lb)<br>56x107 cm<br>22.0"x42.1" |



ESTANTERIAS SIMON S.L. B.50.556.463  
 PG. ALFAMEN C/ POLIGONO C. Nº3  
 ALFAMEN (ZARAGOZA)



**Simon Rack**  
 SINCE 1964 - MANUFACTURER



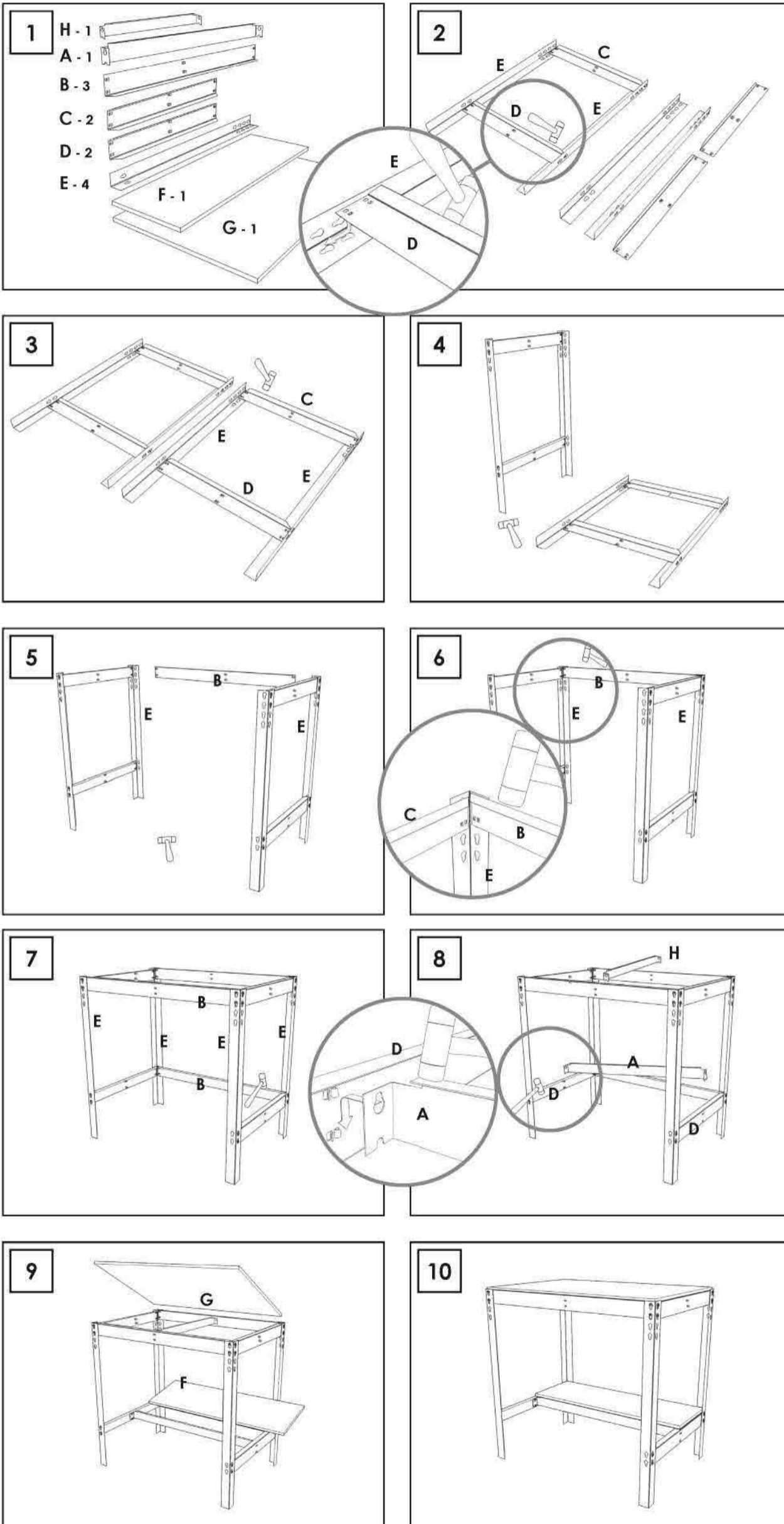
[www.simonrack.com](http://www.simonrack.com)



INSTRUCCIONES  
 INSTRUCTIONS  
 ANLEITUNG  
 INSTRUCTIONS







**SIMONCLASSIC**



**SIMONCLICK**



**SIMONTALLER**



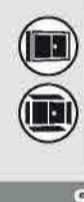
**SIMONAUTO**



**SIMONWORK**



**SIMONLOCKER**



**SIMONOFFICE**



**SIMONHOME**



**SIMONGARDEN**



**SIMONTITAN**



**SIMONINOX**



**SIMONINDUSTRIAL**

**SIMONPALET**



**SIMONLEVER**



ALTILLOS Y PASILLOS ELEVADOS  
 PLATFORMS AND MEZZANINES  
 LAGERBÜHNEN • PLATES-FORMES ET MEZZANINES

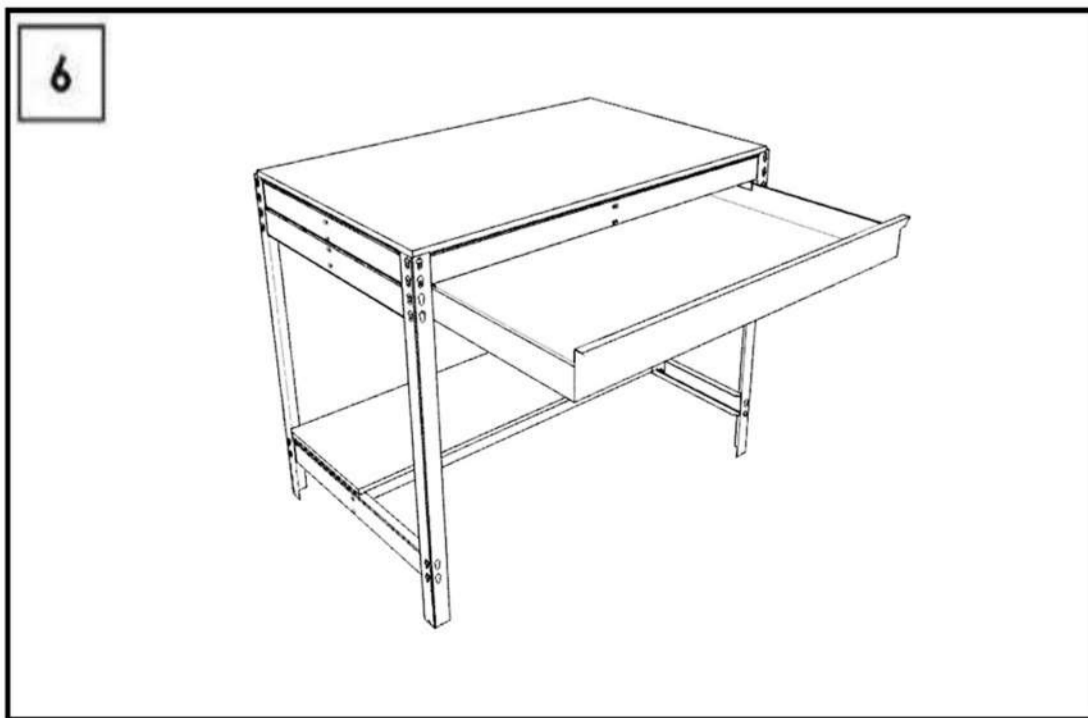
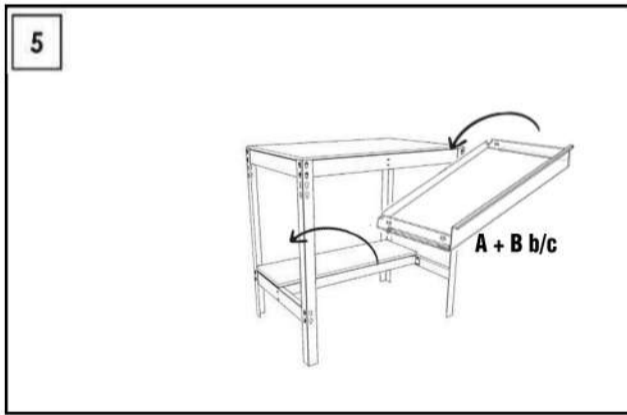
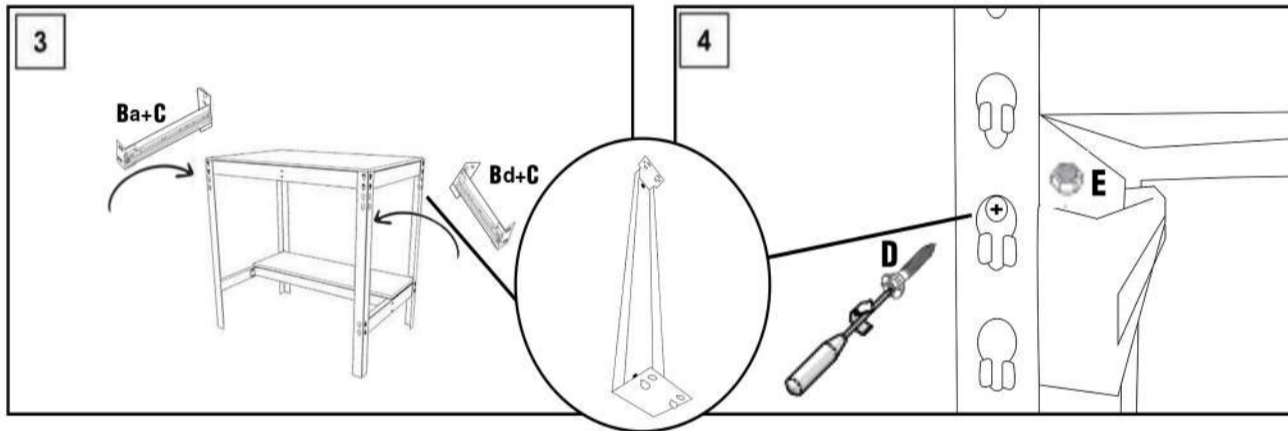
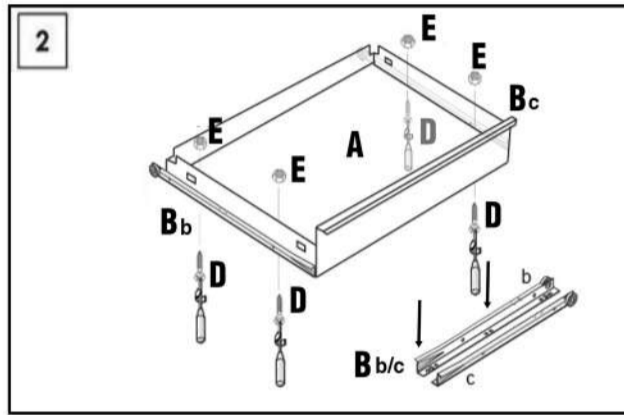
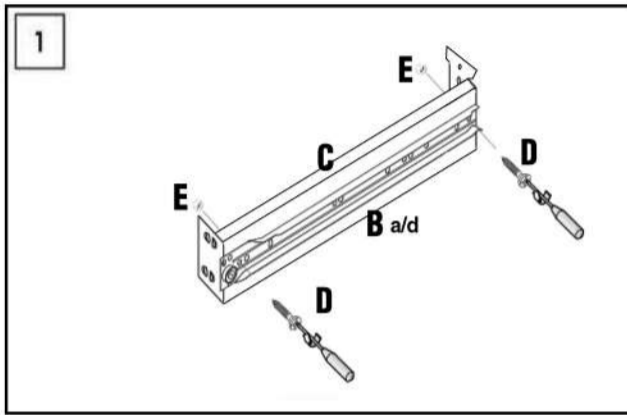
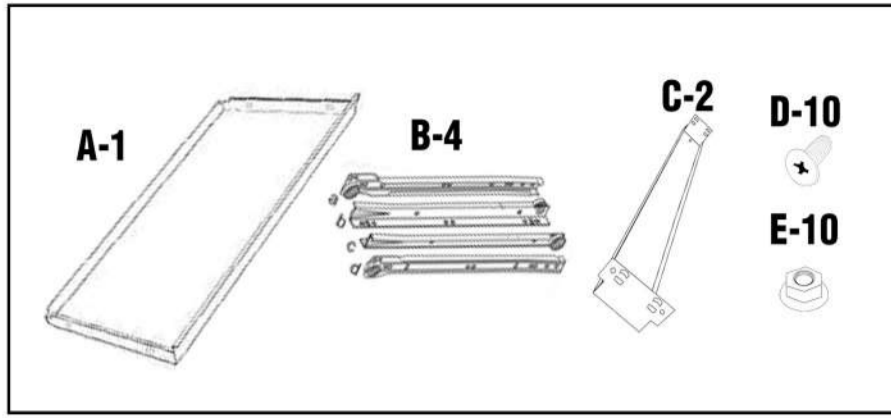
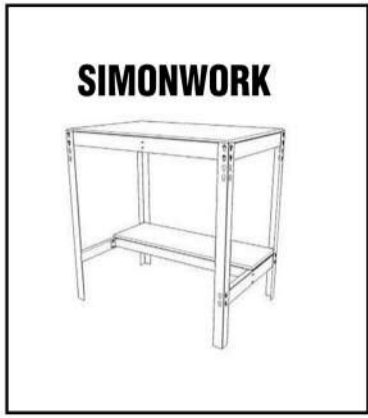


\* Kg / lb per bandeja con carga uniformemente repartida  
 Kg / lb per shelf uniformly distributed load  
 Kg / lb pro fach bei gleichmäßig verteilter Last  
 Kg / lb per plateau avec charge uniformément répartie





# BOX BT0-BT5



**SIMONCLASSIC**  
150 kg / 330 lb

**SIMONCLICK**  
400 kg / 900 lb

**SIMONTALLER**  
700 kg / 1550 lb

**SIMONAUTO**  
300 kg / 660 lb

**SIMONWORK**  
800 kg / 1800 lb

**SIMONLOCKER**

**SIMONOFFICE**  
275 kg / 600 lb

**SIMONHOME**  
150 kg / 330 lb

**SIMONGARDEN**  
600 kg / 1350 lb

**SIMONTITÁN**   **SIMONINOX**

**SIMONINDUSTRIAL**  
SIMONPALET: 4500 kg / 9950 lb  
SIMONLEVER: 900 kg / 1980 lb

ALTILLOS Y PASILLOS ELEVADOS  
PLATFORMS AND MEZZANINES  
LAGERBÜHNEN • PLATES-FORMES ET MEZZANINES

\* Kg / lb per bandeja con carga uniformemente repartida  
Kg / lb per shelf uniformly distributed load  
Kg / lb pro fach bei gleichmäßig verteilter last  
Kg / lb par plateau avec charge uniformément répartie

[www.instructionsrack.com/bt0box](http://www.instructionsrack.com/bt0box)

[www.simonrack.com](http://www.simonrack.com)

