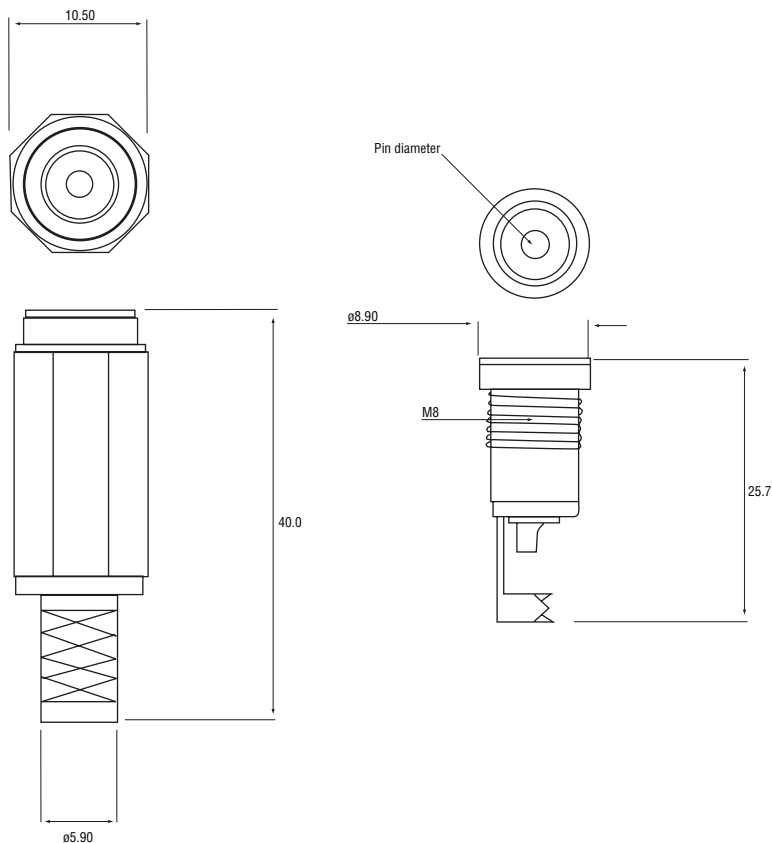


Specifications:

Metal	Bronze
Insulation	ABS
Cover	Black
Voltage	13.5VDC
Current rating	2A



Order code	20-1066	20-1068
Pin	ø2.1mm	ø2.5mm