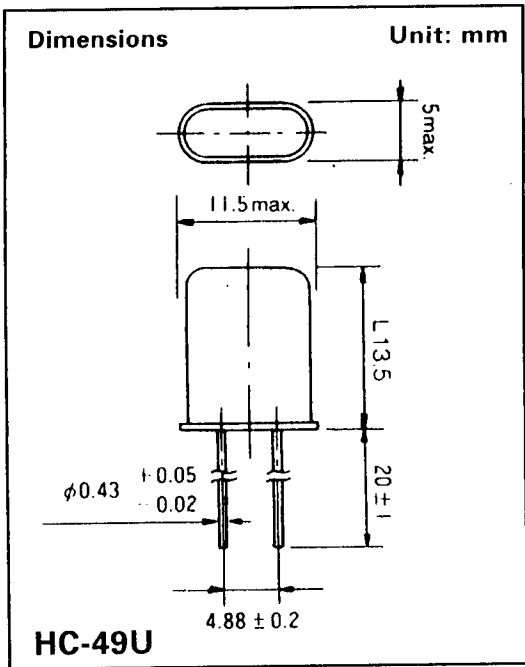


Crystals

Order code	Manufacturer code	Description
90-0170	n/a	6.144MHZ HC-49/U CRYSTAL
90-0175	n/a	7.3728 HC-49/U CRYSTAL
90-0200	n/a	9.8304 HC-49/U CRYSTAL
90-0215	n/a	11.0592 HC-49/U CRYSTAL
90-0220	n/a	14.31818 HC-49/U CRYSTAL
90-0225	n/a	n/a

Crystals	Page 1 of 2
The enclosed information is believed to be correct, Information may change 'without notice' due to product improvement. Users should ensure that the product is suitable for their use. E. & O. E.	Revision A 04/07/2003



Specifications

<i>Holder type</i>	<i>HC-49U</i>
Frequency stability at 25 c	±30ppm typ. ±50ppm max
Temperature stability	±30ppm @ -10 c ~ +70 c.
Drive level	1mV max.
Load capacitance (Cl)	12 to 32pf, series (00)
Shunt capacitance (Co)	7pf max.
Vibration mode	AT-cut, F,3rd, 5th, 7th overtone.
Aging	± 5ppm / year
Leak	2 X 10 ⁻⁸ cc/sec max, helium

Freq.	Load Cap (pf)
6.144	30
7.3728	30
9.8304	32
11.0592	32
14.31818	30
14.31818	Series