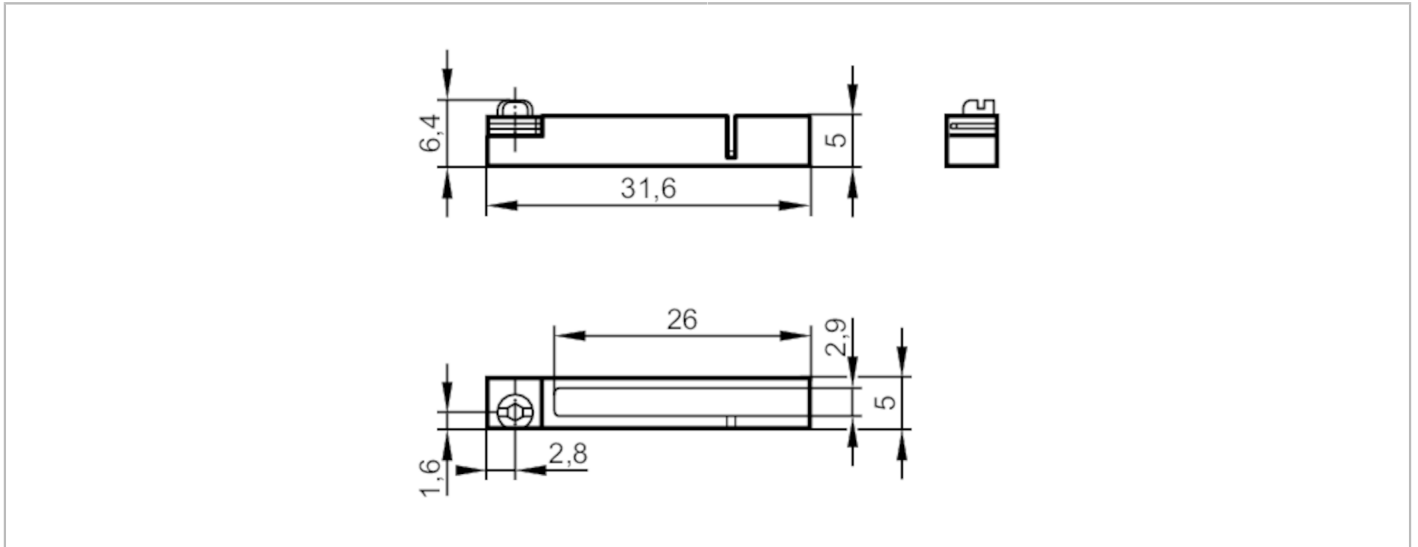


E11928



T-slot adapter for C-slot cylinder sensor

ADAPT C-SLOT IN T-SLOT FLUSH



Application

Design for types, for types MKC (C-slot cylinder sensor) for installation in T-slot cylinders, MKC

Mechanical data

Weight [g]	7.3
Type of mounting	fixing: Screw with combined slot / hexagon socket head 2.5
Dimensions [mm]	6.4 x 31.6 x 5
Materials	diecast zinc; Fixing element: stainless steel

Remarks

Pack quantity 1 pcs.