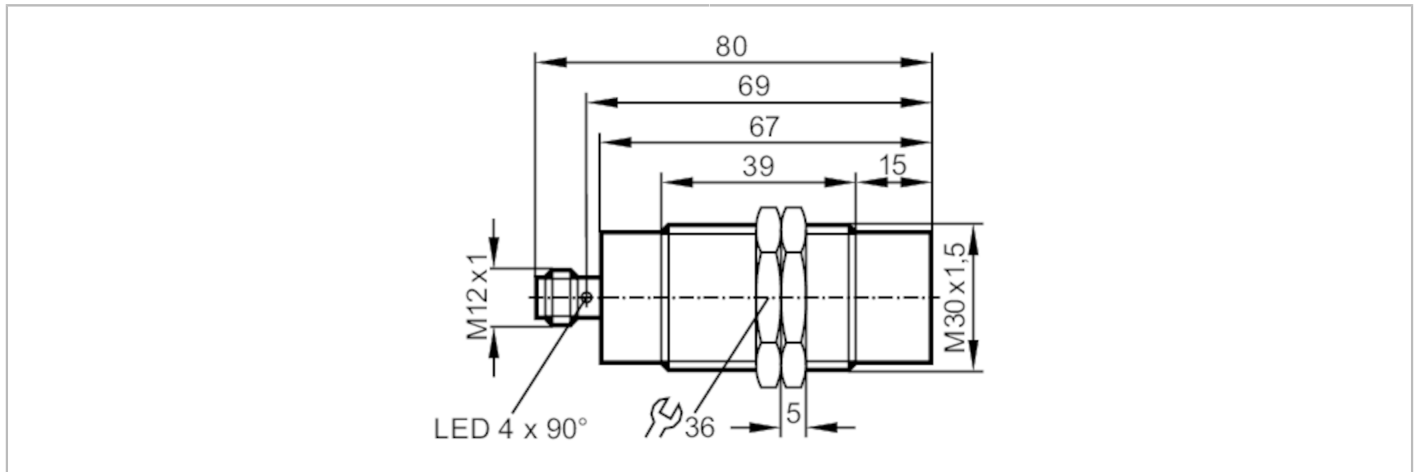


# GI506S



## Fail-safe inductive sensor

GIIA-4030-3PT/SIL3/V4A/US



Product characteristics	
Output function	clock signal
Housing	threaded type
Dimensions [mm]	M30 x 1.5 / L = 80
Application	
Special feature	Gold-plated contacts
Type of operation	continuous operation (maintenance-free)
Application	industrial applications
Electrical data	
Operating voltage [V]	19.2...30 DC
Current consumption [mA]	< 15
Protection class	III
Reverse polarity protection	yes
Max. power-on delay time [ms]	5000
Inputs	
Max. input capacitance Ci_max [nF]	2
Outputs	
Output function	clock signal
Output data	Interface type B
Short-circuit protection	yes
Max. capacitive load CL_max [nF]	20
Detection zone	
Enable zone [mm]	6...12
Safe switching-off distance s(ar) [mm]	30
Response times	
Response time to safety request [ms]	20
Response time when approaching the enable zone [ms]	200; (typical 100)

# GI506S



## Fail-safe inductive sensor

GIIA-4030-3PT/SIL3/V4A/US

Operating conditions		
Applications	class C to EN 60654-1 weatherproof application	
Ambient temperature [°C]	0...70	
Note on ambient temperature	operational life ≤ 87600 h	
Ambient temperature [°C]	10...40	
Note on ambient temperature	operational life ≤ 175200 h	
Rate of temperature change [K/min]	0.5	
Max. relative air humidity [%]	briefly: 5...95 %; permanent: 5...70 %	
Air pressure [kPa]	80...106	
Ionising radiation	not permissible	
Salt spray	no	
Protection	IP 68; IP 69K; (to EN 60529)	
Tests / approvals		
EMC	IEC 60947-5-2	
	IEC 60947-5-3	
	EN 61000-4-2 ESD	6 kV CD / 8 kV AD
	EN 61000-4-3 HF radiated	20 V/m
	EN 61000-4-4 Burst	2 kV
	EN 61000-4-6 HF conducted	10 V
	EN 61000-4-8	30 A/m
	EN 55011	class B
Shock resistance	IEC 60947-5-2	
Vibration resistance	IEC 60947-5-2	
UL approval	Ta	0...70 °C
	Enclosure type	Type 1
	voltage supply	Limited Voltage/Current
	File number UL	E174191
Safety classification		
ISO 13849-1	category 3, PL e	
IEC 61508	SIL 3	
Mission time TM [h]	≤ 175200	
Mission time TM (additional indication)	20 years	
Safety-related reliability PFHD [1/h]	1E-08	
Mechanical data		
Weight [g]	263.5	
Housing	threaded type	
Mounting	non-flush mountable	
Dimensions [mm]	M30 x 1.5 / L = 80	
Thread designation	M30 x 1.5	
Materials	PEEK; stainless steel; O-ring: FKM	
Displays / operating elements		
Display	operation	1 x LED, green
	signal	1 x LED, yellow

# GI506S



## Fail-safe inductive sensor

GIIA-4030-3PT/SIL3/V4A/US

### Accessories

Accessories (supplied)	lock nuts: 2
------------------------	--------------

### Remarks

Remarks	Unless stated otherwise, all data refer to the reference target plate to IEC 60947-5-2 over the whole temperature range.
---------	--

(FE360 = ST37K) 45x45x1 mm

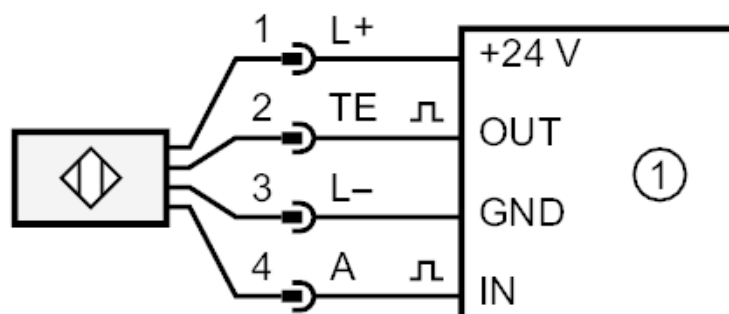
Pack quantity	1 pcs.
---------------	--------

### Electrical connection - plug

Connector: 1 x M12; Contacts: gold-plated



### Connection



1 = safety-related logic unit