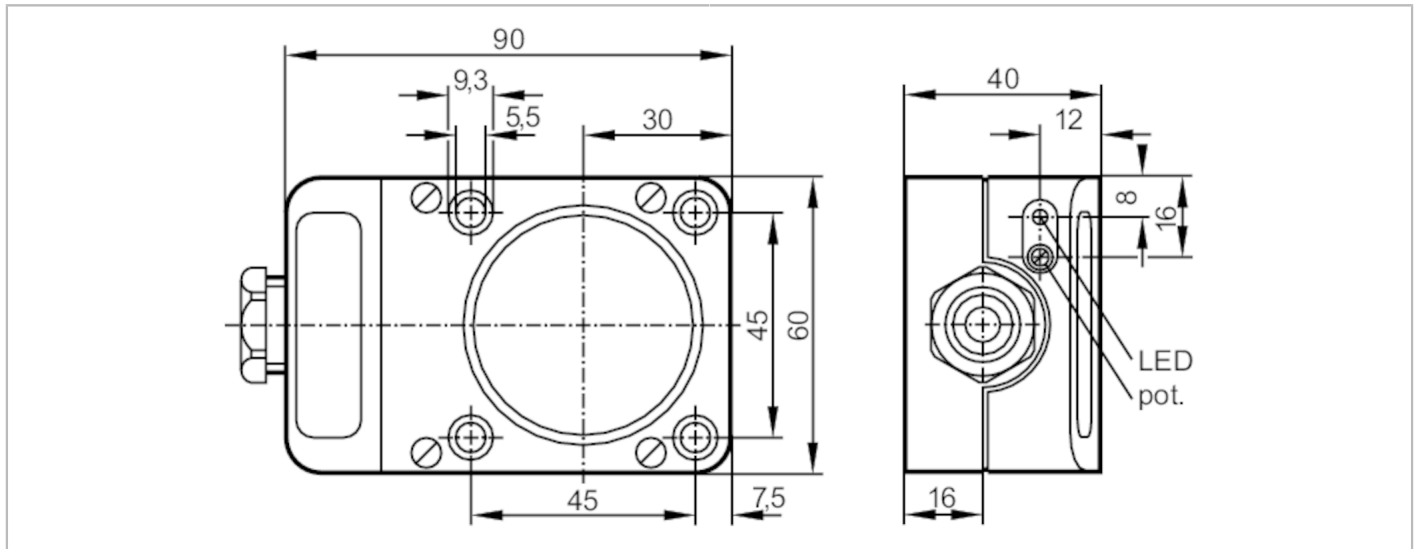


IC5006



Inductive sensor

ICE3040-FNKG



Product characteristics

Electrical design		NPN
Output function		normally open / normally closed; (selectable)
Sensing range	[mm]	40
Housing		rectangular
Dimensions	[mm]	90 x 60 x 40

Electrical data

Operating voltage	[V]	10...36 DC
Current consumption	[mA]	15; (24 V)
Protection class		II
Reverse polarity protection		yes

Outputs

Electrical design		NPN
Output function		normally open / normally closed; (selectable)
Max. voltage drop switching output DC	[V]	2.5
Permanent current rating of switching output DC	[mA]	250
Switching frequency DC	[Hz]	15
Short-circuit protection		yes
Type of short-circuit protection		pulsed
Overload protection		yes

Detection zone

Sensing range	[mm]	40
Sensing range adjustable		yes
Factory setting sensing range	[mm]	40
Real sensing range S_r	[mm]	$40 \pm 10 \%$
Operating distance	[mm]	0...32.4

IC5006



Inductive sensor

ICE3040-FNKG

Accuracy / deviations		
Correction factor		steel: 1 / stainless steel: 0.7 / brass: 0.4 / aluminium: 0.3 / copper: 0.2
Hysteresis	[% of Sr]	1...15
Switch point drift	[% of Sr]	-10...10
Operating conditions		
Ambient temperature	[°C]	-25...80
Protection		IP 65
Tests / approvals		
EMC		EN 60947-5-2
MTTF	[years]	978
Mechanical data		
Weight	[g]	271
Housing		rectangular
Mounting		non-flush mountable
Dimensions	[mm]	90 x 60 x 40
Materials		PPE modified
Displays / operating elements		
Display	switching status	1 x LED, yellow
Accessories		
Accessories (supplied)		screwdriver: 1 spring washers: 4 cylinder screws: 4 x M5 x 35
Remarks		
Pack quantity		1 pcs.
Electrical connection		
terminals: ...2.5 mm ² ; Cable sheath: Ø 7...13 mm; Cable gland: M20 X 1.5		
Connection		

