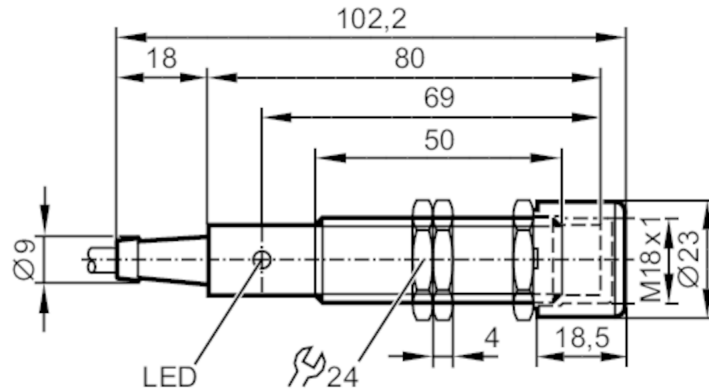


IG001A



Inductive sensor

IGA2008-ABOA/3D



Product characteristics

Output function		normally open
Sensing range	[mm]	8
Housing		threaded type
Dimensions	[mm]	M18 x 1 / L = 80

Application

Installation	use in hazardous areas only with installed protective cover
--------------	---

Electrical data

Operating voltage	[V]	20...250 AC/DC
Protection class		II
Reverse polarity protection		yes

Outputs


Output function		normally open
Max. voltage drop switching output DC	[V]	6
Max. voltage drop switching output AC	[V]	6.5
Minimum load current	[mA]	5
Max. leakage current	[mA]	2.5 (250 V AC) / 1.3 (130 V AC) / 0.8 (24 V DC)
Permanent current rating of switching output AC	[mA]	150
Permanent current rating of switching output DC	[mA]	100
Short-time current rating of switching output	[mA]	2200; (20 ms / 0,5 Hz)
Switching frequency AC	[Hz]	25
Switching frequency DC	[Hz]	50
Notes on switching frequency		only for resistive loads; 2 Hz for utilisation category AC-140
Short-circuit protection		no
Overload protection		no

IG001A



Inductive sensor

IGA2008-ABOA/3D

Detection zone		
Sensing range	[mm]	8
Real sensing range Sr	[mm]	8 ± 10 %
Operating distance	[mm]	0...6.48
Accuracy / deviations		
Correction factor		steel: 1 / stainless steel: 0.7 / brass: 0.4 / aluminium: 0.3 / copper: 0.2
Hysteresis	[% of Sr]	1...20
Switch point drift	[% of Sr]	-10...10
Operating conditions		
Ambient temperature	[°C]	-20...60
Protection		IP 67
Tests / approvals		
ATEX marking		 II 3D Ex tc IIIC T80°C Dc X
EMC	EN 61000-4-2 ESD	4 kV CD / 8 kV AD
	EN 61000-4-3 HF radiated	3 V/m
	EN 61000-4-4 Burst	2 kV
	EN 61000-4-6 HF conducted	3 V
	IEC 60255-5	1 kV line to line, Ri: 500 Ohm
EN 55011 emission	class B	
MTTF	[years]	604
Mechanical data		
Weight	[g]	184.5
Housing		threaded type
Mounting		non-flush mountable
Dimensions	[mm]	M18 x 1 / L = 80
Thread designation		M18 x 1
Materials		brass white bronze coated; sensing face: PBT; lock nuts: brass white bronze coated; Protective cover: PA
Displays / operating elements		
Display	switching status	1 x LED, yellow
Electrical connection		
Required protection		miniature fuse to IEC60127-2 sheet 1; ≤ 2 A; fast acting; Place the fuse outside the hazardous area.
Accessories		
Accessories (supplied)		lock nuts: 3 Protective cover: 1
Remarks		
Remarks		Recommendation: Check the safe functioning of the unit after a short circuit.
Pack quantity		1 pcs.

IG001A



Inductive sensor

IGA2008-ABOA/3D

Electrical connection

Cable: 2 m, PVC; 2 x 0.50 mm²

Connection



Note miniature fuse to IEC60127-2 sheet 1 \leq 2 A fast acting

Place the fuse outside the hazardous area.

Core colours :

BN = brown

BU = blue