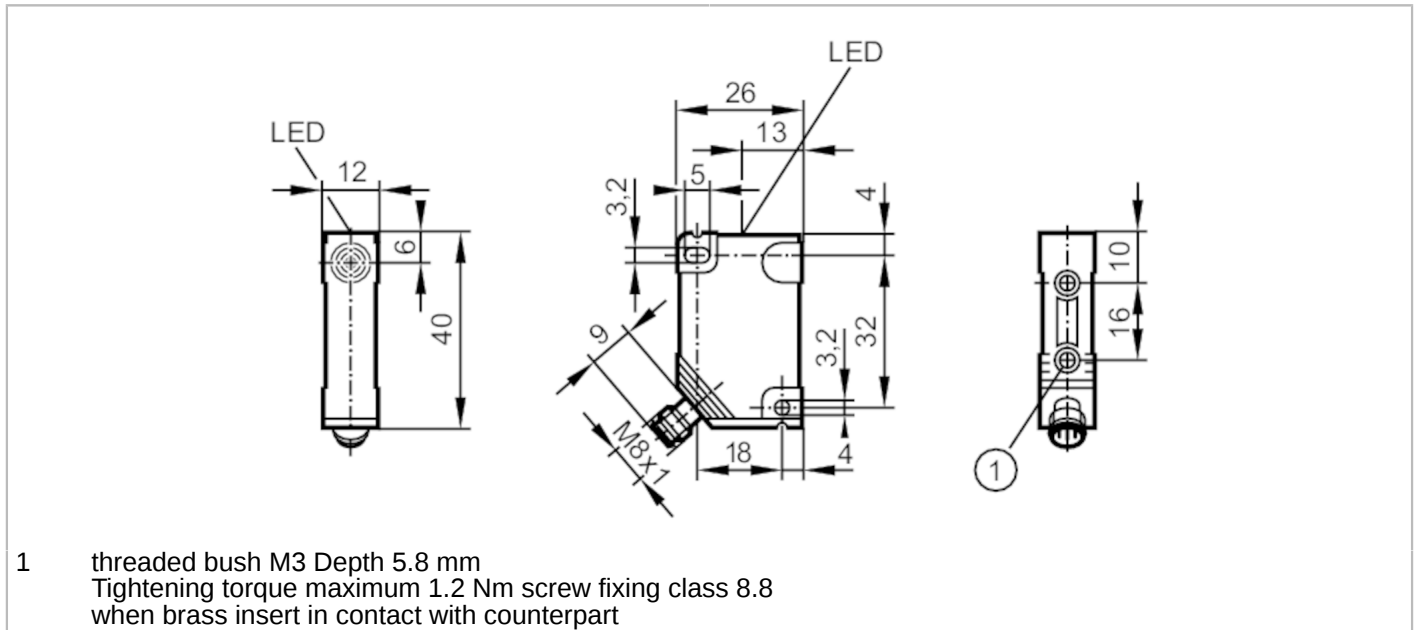


# IN5370



## Inductive sensor

IN-3003-BPKG/AS-610-TPS



Product characteristics		
Electrical design		PNP
Output function		normally open
Sensing range	[mm]	3
Housing		rectangular
Dimensions	[mm]	40 x 12 x 26
Electrical data		
Operating voltage	[V]	10...36 DC
Current consumption	[mA]	15; (24 V)
Protection class		III
Reverse polarity protection		yes
Outputs		
Electrical design		PNP
Output function		normally open
Max. voltage drop switching output DC	[V]	2.5
Permanent current rating of switching output DC	[mA]	250
Switching frequency DC	[Hz]	1200
Short-circuit protection		yes
Type of short-circuit protection		pulsed
Overload protection		yes
Detection zone		
Sensing range	[mm]	3
Real sensing range Sr	[mm]	3 ± 10 %
Operating distance	[mm]	0...2.4

# IN5370



## Inductive sensor

IN-3003-BPKG/AS-610-TPS

### Accuracy / deviations

Correction factor	steel: 1 / stainless steel: 0.7 / brass: 0.5 / aluminium: 0.4 / copper: 0.3	
Hysteresis [% of Sr]	3...15	
Switch point drift [% of Sr]	-10...10	

### Operating conditions

Ambient temperature [°C]	-20...80	
Protection	IP 65	

### Tests / approvals

EMC	EN 60947-5-2	
	EN 55011	class B
MTTF [years]	2577	

### Mechanical data

Weight [g]	21.9	
Housing	rectangular	
Mounting	flush mountable	
Dimensions [mm]	40 x 12 x 26	
Materials	PBT; connector housing: brass white bronze coated	

### Displays / operating elements

Display	switching status	1 x LED, yellow
---------	------------------	-----------------

### Remarks

Pack quantity	1 pcs.	
---------------	--------	--

### Electrical connection - plug

Connector: 1 x M8



# IN5370



## Inductive sensor

IN-3003-BPKG/AS-610-TPS

### Connection

