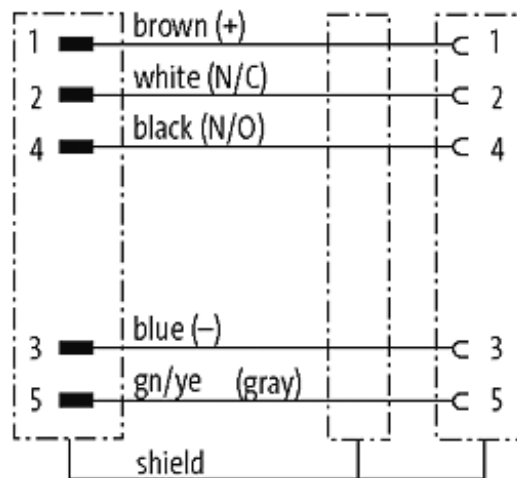


**M12 male 0° / M12 female 0° shielded**

PUR 5x0.34 shielded gy UL/CSA+drag chain 5m

Male straight to female straight  
M12 - M12, 5-pole  
shielded

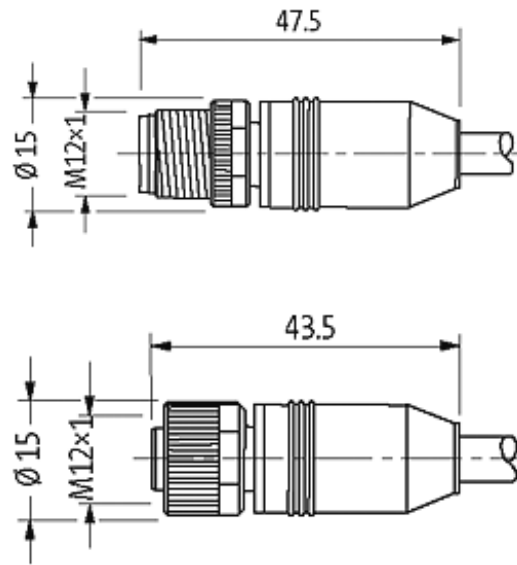
Plastic housings with good resistance against chemicals and oils. The resistance to aggressive media should be individually tested for your application. Further details on request. Further cable lengths on request.

[Link to Product](#)**Illustration**

Male

Female





Product may differ from Image