



### Model Number

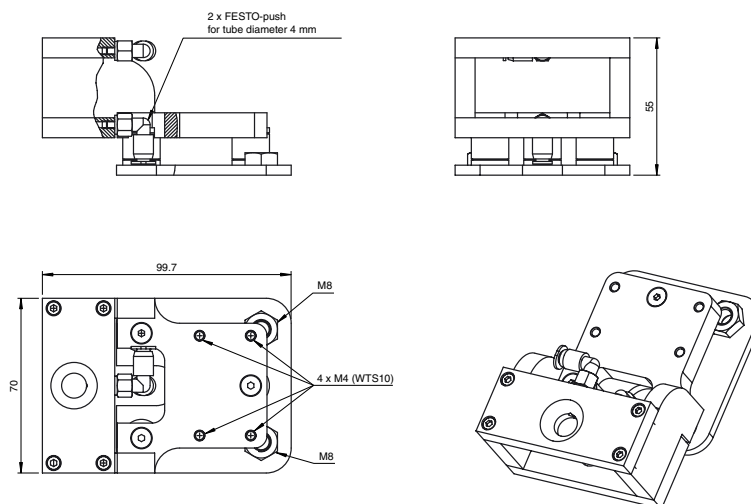
**OMH-WTS10-01**

Mounting bracket for sensors of WTS10 series

### Features

- Mounting bracket
- Simple and fast mounting

### Dimensions



### Technical data

#### General specifications

Accessories provided	Incl. 2 x compressed air connection for 4 mm hose diameter Incl. 4 x fixing screws M4 x 25 for sensor WTS10
----------------------	--

#### Mechanical specifications

Mech. capacity	Max. tong pressure of 5KN
Material	Aluminium / steel
Mass	523 g

#### Suitable series

Series	WTS10
--------	-------