

AUXILIARY CIRCUIT SWITCH 2NO, FOR MCB WITH TEST BUTTON



Figure similar

Model		
product brand name		SENTRON
Product designation		Auxiliary current switch
<b>Design of the product</b>		Mountable
<b>Design of the product / factory mounted</b>		No
Control current		
Type of voltage / of control voltage		AC/DC
Product details		
<b>Product expansion</b>		Auxiliary current switch
<ul style="list-style-type: none"> <li>• can be mounted</li> </ul>		RCBO and miniature circuit breaker
Number		
Number of fault signal contacts		0
Number of NC contacts		0
Number of NO contacts		2
Number of CO contacts		0
Mechanical Design		
Number of width units		0.5

General Product Approval	Declaration of Conformity	other
--------------------------	---------------------------	-------



[other](#)

### Further information

**Information- and Downloadcenter (Catalogs, Brochures,...)**

<http://www.siemens.com/lowvoltage/catalogs>

**Industry Mall (Online ordering system)**

<https://eb.automation.siemens.com/mall/en/WW/Catalog/Product/5ST30112>

**Service&Support (Manuals, Certificates, Characteristics, FAQs,...)**

<http://support.automation.siemens.com/WW/view/en/5ST30112/all>

**Image database (product images, 2D dimension drawings, 3D models, device circuit diagrams, ...)**

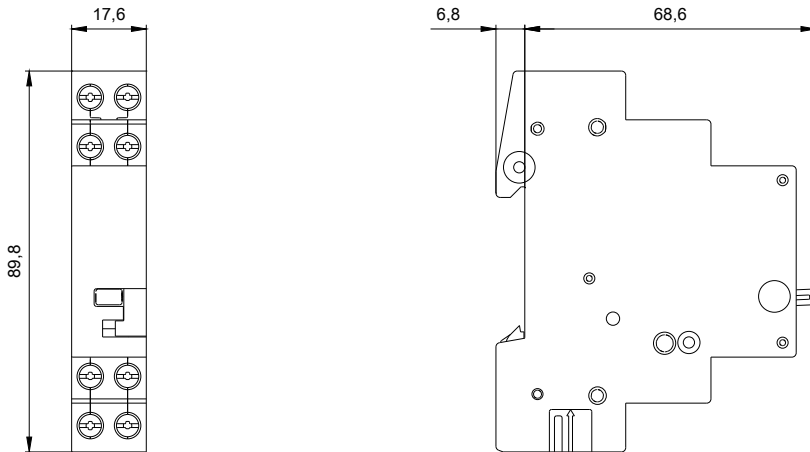
[http://www.automation.siemens.com/bilddb/cax\\_en.aspx?mlfb=5ST30112](http://www.automation.siemens.com/bilddb/cax_en.aspx?mlfb=5ST30112)

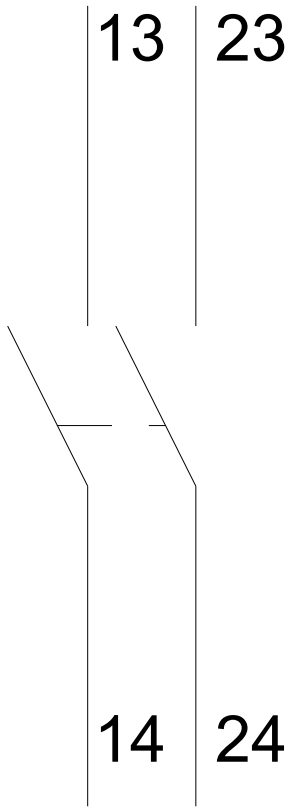
**CAx-Online-Generator**

<http://www.siemens.com/cax>

**Tender specifications**

<http://ausschreibungstexte.siemens.com/tiplv>





last modified:

11.03.2015