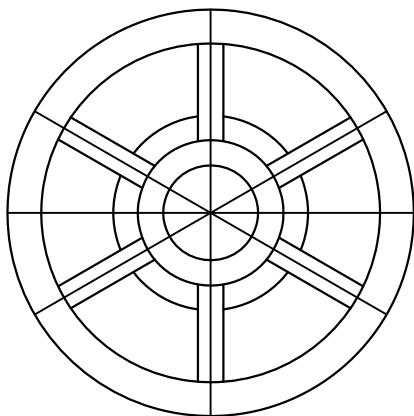
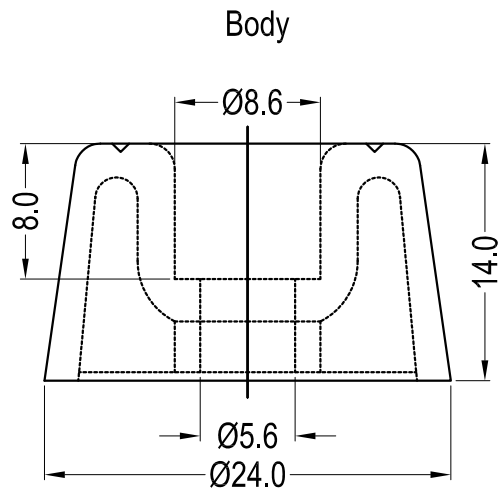
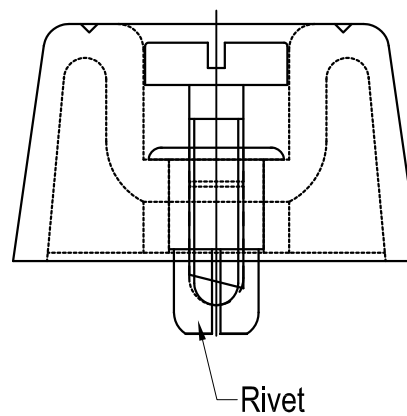


DO NOT SCALE DRAWING

REVISIONS				
ZONE	REV.	DESCRIPTION	DATE	APPROVED
	A	DRAWN	08-08-2013	



Assembly



- Notes:
1. Material: TPR UL94 HB (Feet Body)
PA6 UL94 V2 (Rivet Body)
POM UL94 HB (Rivet Pin)
 2. RoHS Compliant;
 3. Hole: Ø5.0-5.1mm; Panel Thickness: 1.0-2.3mm.



DESIGN RIGHT. TR FASTENINGS LTD, 2003
UNDER NO CIRCUMSTANCES MUST THIS
DRAWING BE COPIED OR DISCLOSED,
WITHOUT FIRST OBTAINING WRITTEN
AUTHORITY.

UNLESS OTHERWISE SPECIFIED:
DIMENSIONS ARE IN MILLIMETERS.
SURFACE FINISH:
TOLERANCES:
L ≤ 4 = ±0.1 4 < L ≤ 15 = ±0.2
15 < L ≤ 50 = ±0.3 50 < L ≤ 100 = ±0.4

NAME	DATE
DRAWN MARTIN ELLIOTT	08/08/2013
CHK'D	
APPV'D	

MATERIAL
SEE NOTES

HEAT TREATMENT
N/A

FINISH
Black

TITLE
SOFT FAST FOOT

CUSTOMER PART NO.

DWG NO.
TRFF-001

A3