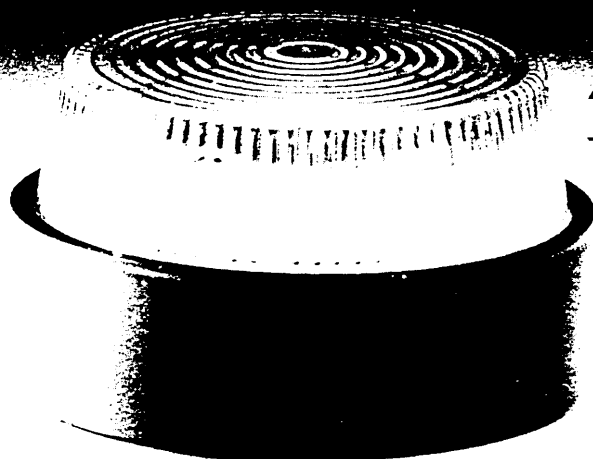


3
YEAR
GUARANTEE



- 223 - 700 to 785 -

XENON BEACONS

1/2, 1 & 2 WATT

LP SERIES

FEATURES

- ★ Extra low profile
- ★ Completely weatherproof (IP 67)
- ★ High Efficiency
- ★ Low current consumption
- ★ Spike suppression network fitted
- ★ -20°C to +55°C
- ★ Optional conduit/wall mounting base
- ★ British Made

APPLICATIONS

These rugged, easy to fit, low profile beacons are particularly suitable for mounting on external bell/sounder boxes. They also find wide fire and industrial applications.

SPECIFICATIONS

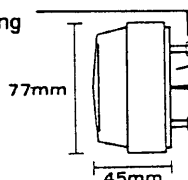
Part Nos.	Flash Rate		Voltage (V)	Voltage Range	Current (mA)
	60 Per Min.	120 Per Min.			
1/2 Watt	LP1x12/1/2C		12	10-15	50
	LP1x06/1C		6	4.7-7.5	240
1 Watt	LP1x12/1C*		12	10-15	115
	LP1x24/1C*		24	20-30	55
2 Watt	LP1x12/2C*	LP2x12/2C	12	10-15	220
	LP1x24/2C*	LP2x24/2C	24	20-30	110
	LP1x50/2C	LP2x50/2C	50	40-60	75
	LP1x110/2C	LP2x110/2C	110 ac	90-125	
	LP1x240/2C*	LP2x240/2C	240 ac	190-264	

Available with Clear, Amber, Red, Blue or Green lenses.
The standard body colour is black.

DIMENSIONS

*Preferred model

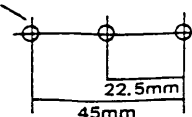
2xM5 studs 14mm long
(Nuts and washers provided)



Neoprene Gasket for weatherproofing mounting drillings

2 p.v.c. covered leads
16x0.2 600mm long

3 holes 5.5mm Dia.



Drilling for Bell Box or Panel Mounting

Specifications subject to change without notice.



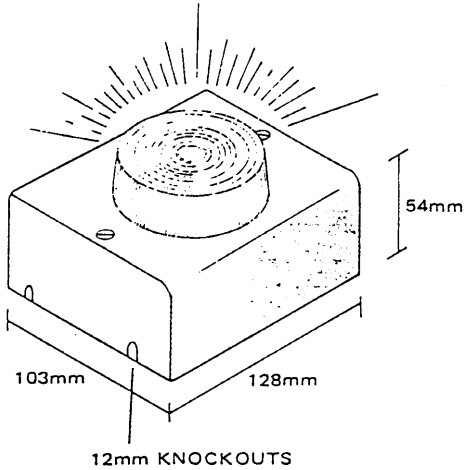
delta design

- a division of NICOTECH Limited -

Primrose Hill, Kings Langley, Herts. WD4 8HD
Tel: (0923) 269522 Fax: (0923) 260167

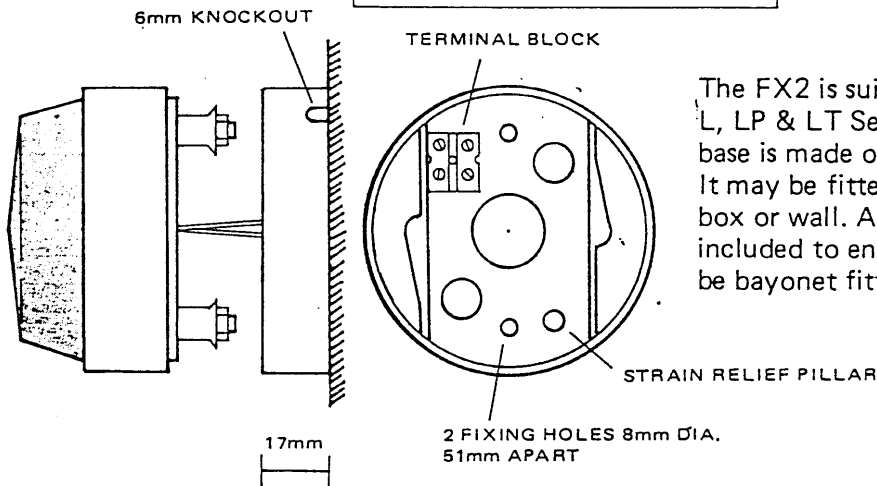
BEACON MOUNTING ACCESSORIES

FX1 MOUNTING BOX



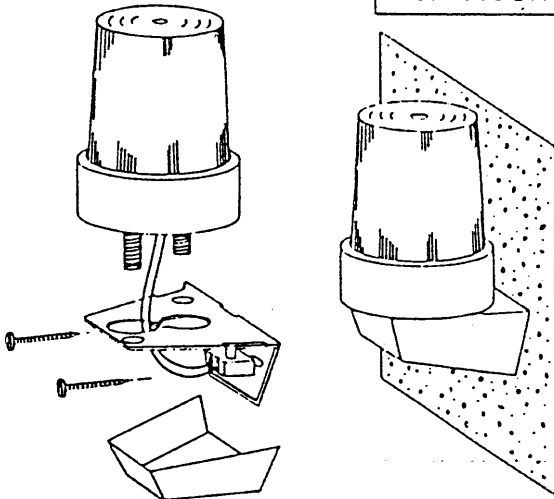
The FX1 is suitable for use with L, LP & LT Series beacons. It is made of grey, high impact polystyrene. Mounting accessories and terminal block are included. The box is suitable for internal wall or ceiling surface mounting of beacons.

FX2 MOUNTING BASE



The FX2 is suitable for use with L, LP & LT Series beacons. The base is made of black ABS. It may be fitted to either a conduit box or wall. Accessories are included to enable the beacon to be bayonet fitted onto the base.

FX4 MOUNTING BRACKET



The FX4 is suitable for use with LT Series Beacons. The bracket is made of black ABS and enables these beacons to be mounted on a wall or panel.

MAXIMUM OVERALL DIMENSIONS 86mmWx33mmDx63mmL

Specifications subject to change without notice.



delta design

— a division of NICOTECH Limited —

Primrose Hill, Kings Langley, Herts. WD4 8HD
Tel: (0923) 269522 Fax: (0923) 260167

14 5006/1