



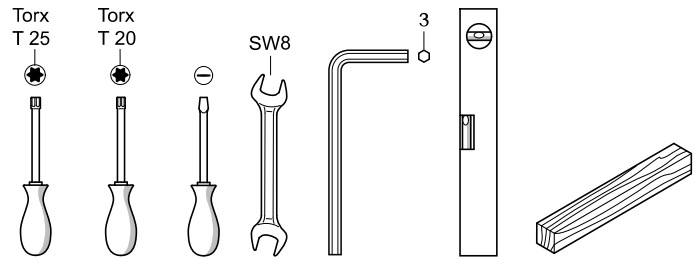
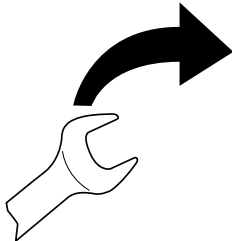
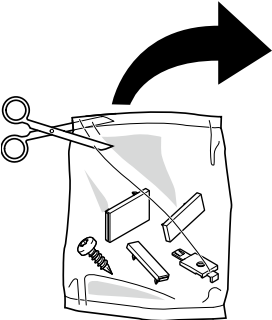
9001645240 (040206)

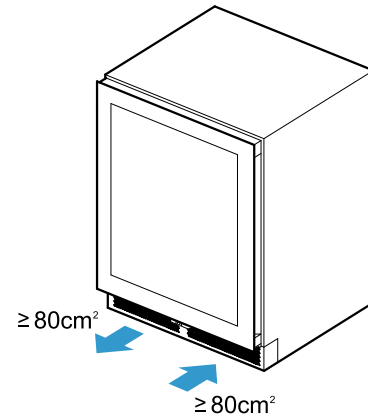
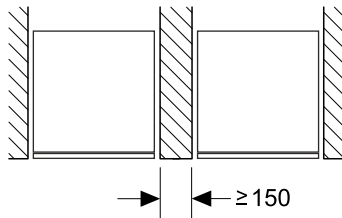
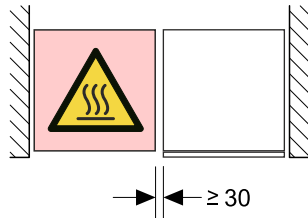
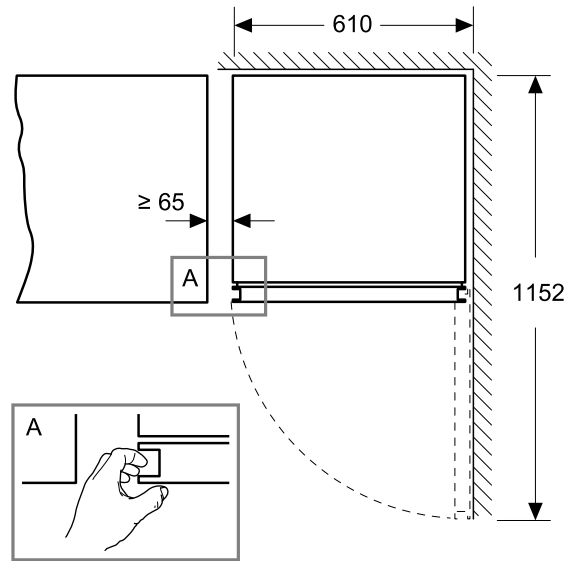
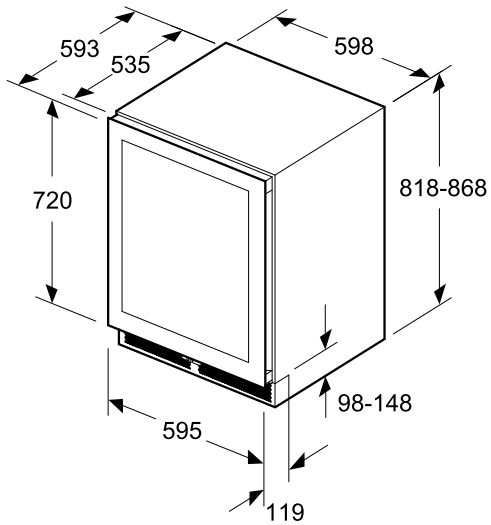
mm

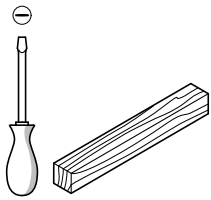
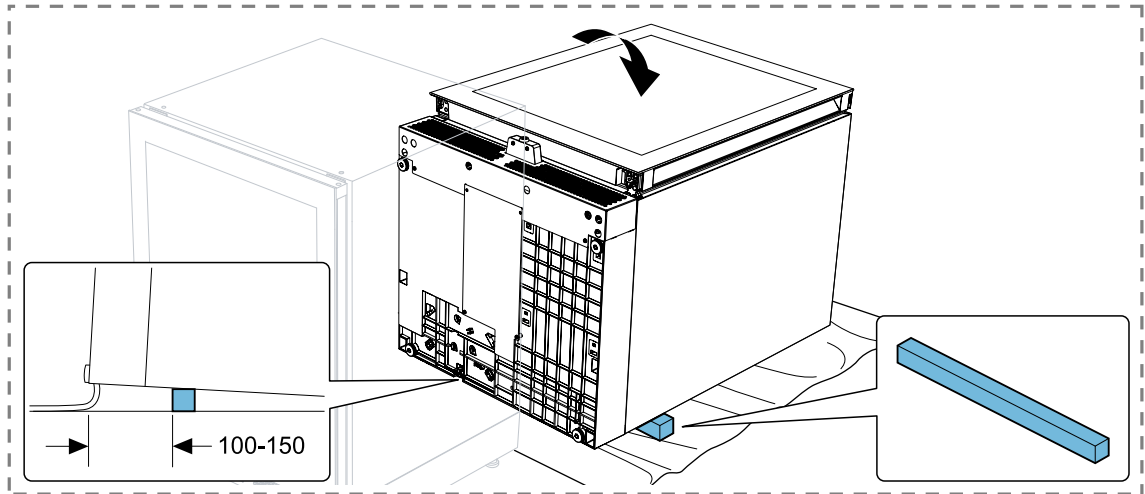
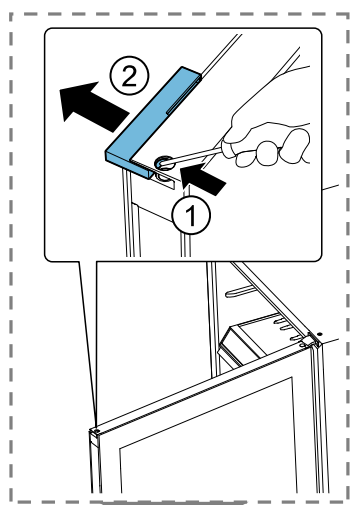
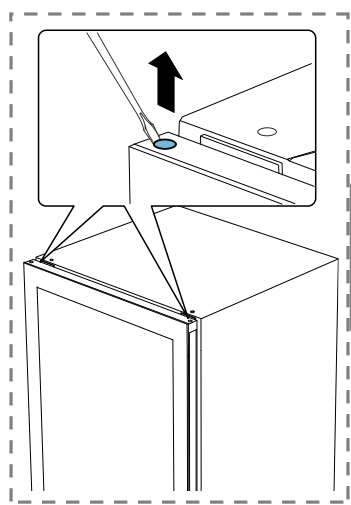
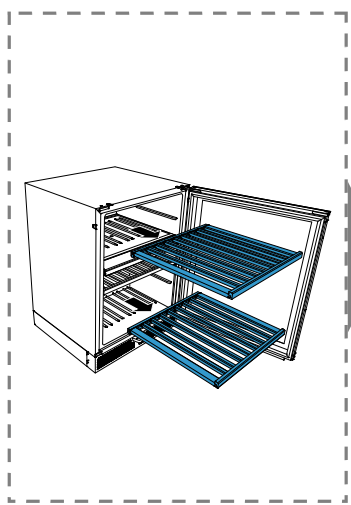
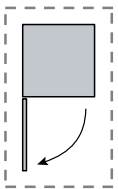


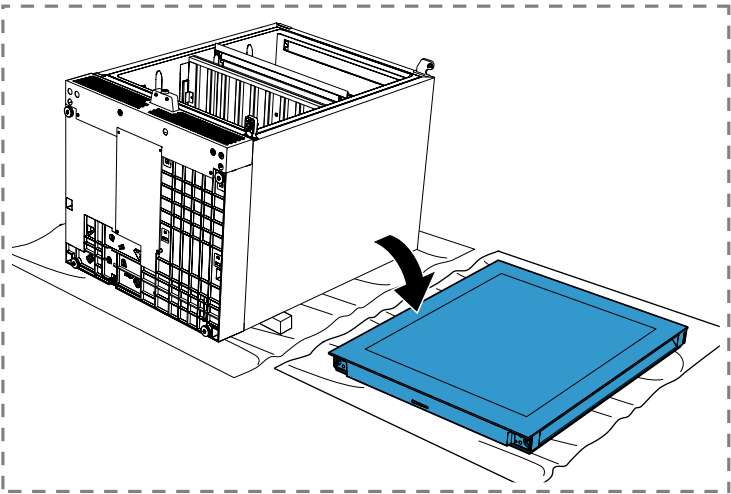
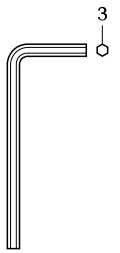
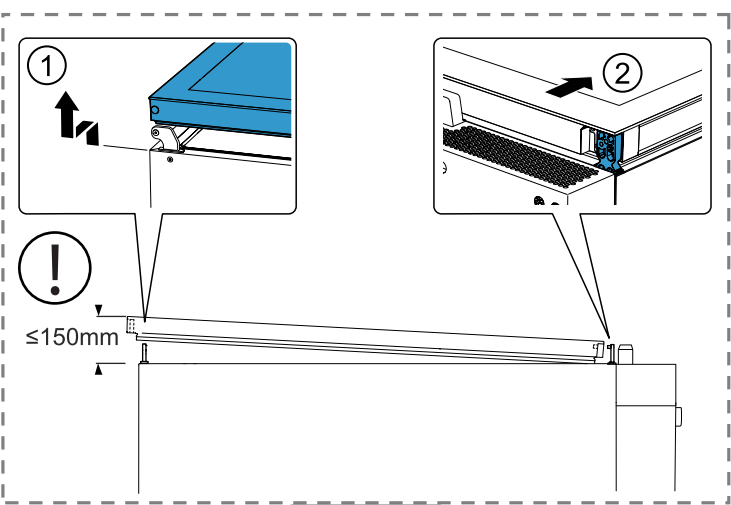
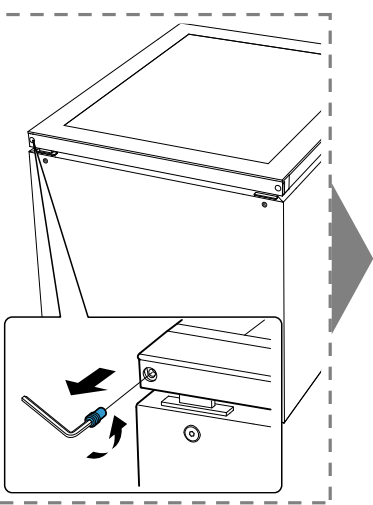
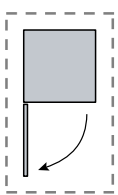
- de** Montageanleitung
- en** Installation instructions
- fr** Notice d'installation
- it** Istruzioni d'installazione
- nl** Installatie-instructies
- da** Installationsvejledning
- no** Installasjonsveiledning

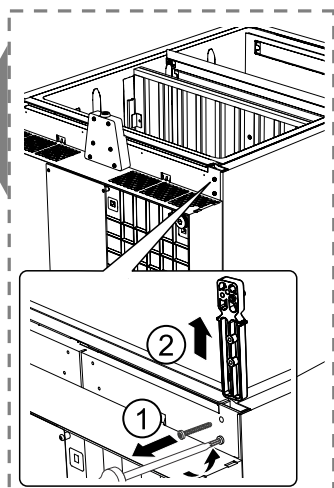
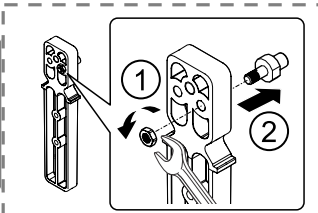
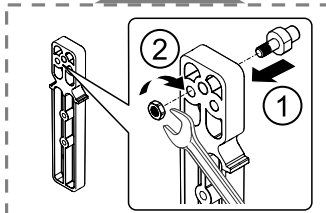
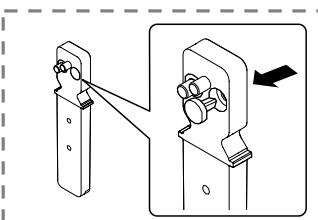
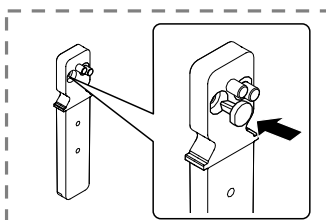
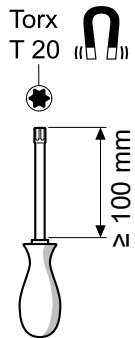
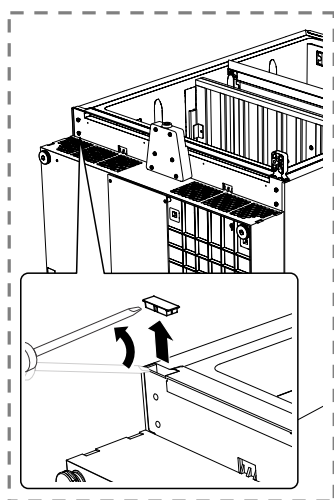
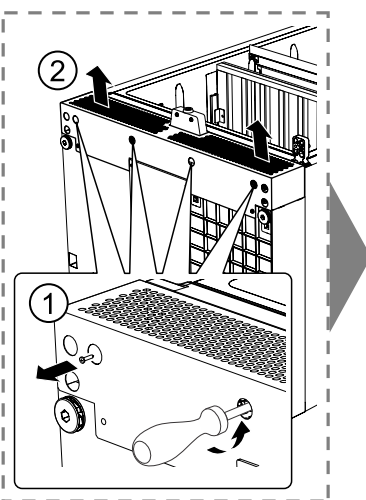
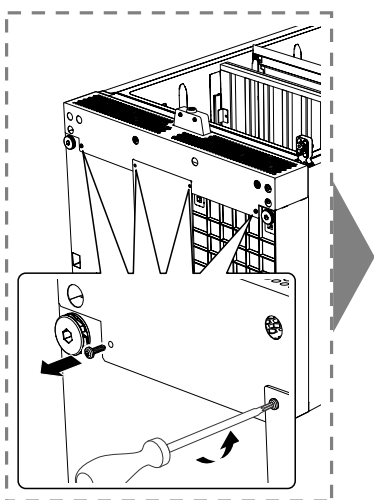
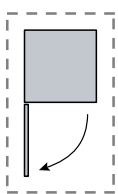
- sv** Installationsanvisningar
- fi** Asennusohjeet
- el** Οδηγίες εγκατάστασης
- hu** Telepítési útmutató
- zh** 安装说明
- es** Instrucciones de montaje

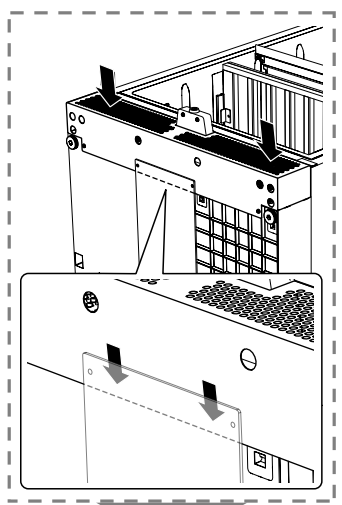
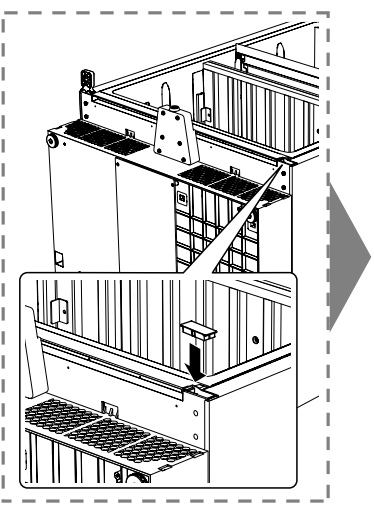
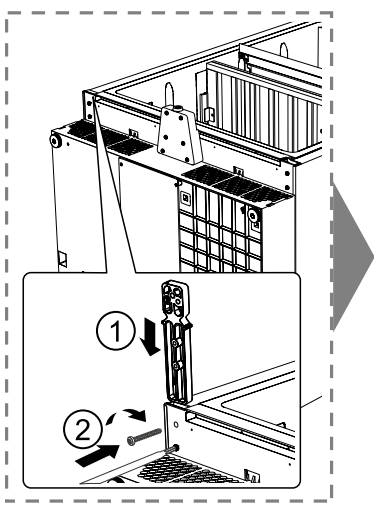
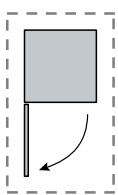




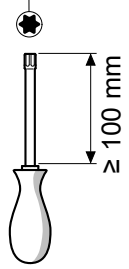






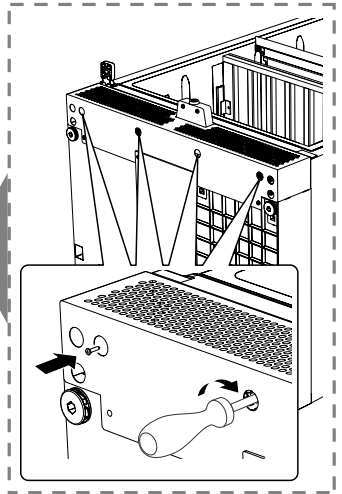
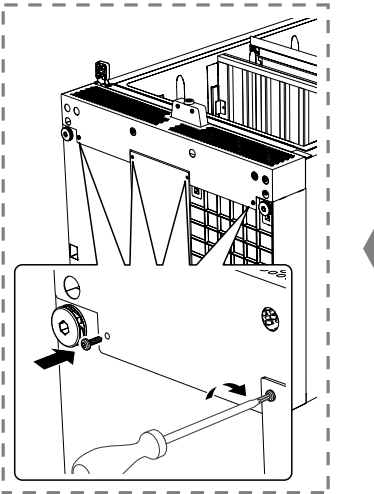
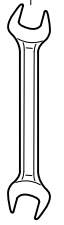


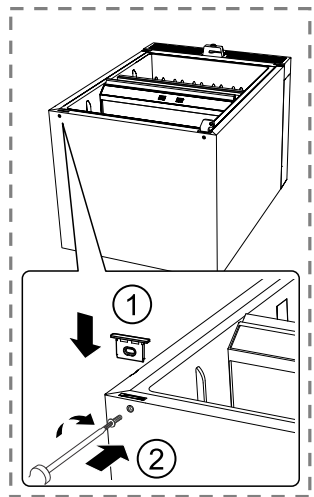
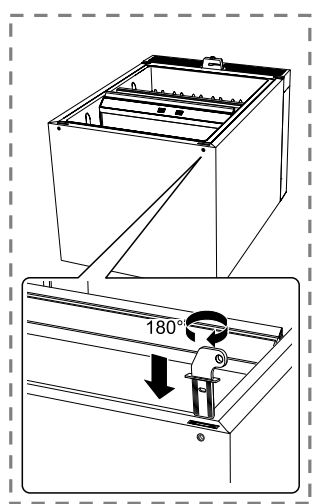
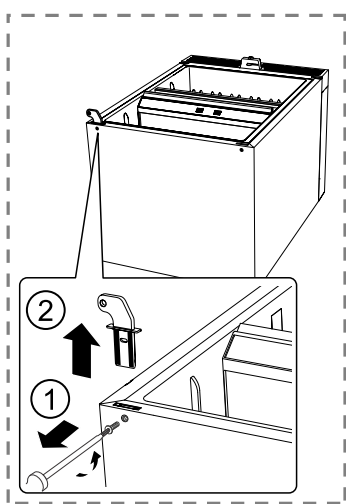
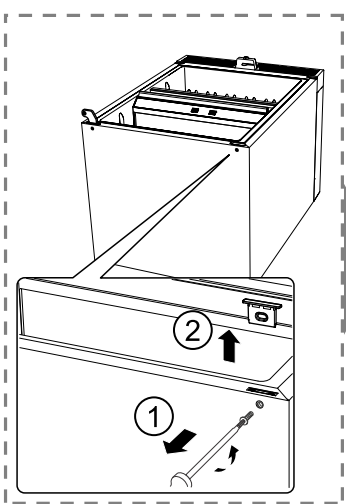
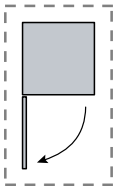
Torx
T 20



≥ 100 mm

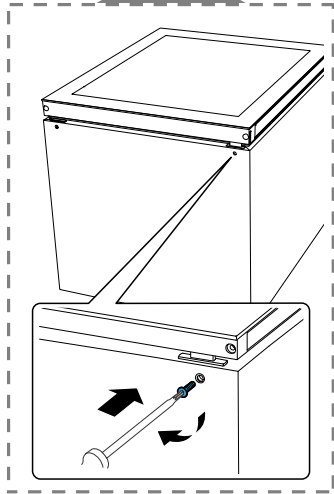
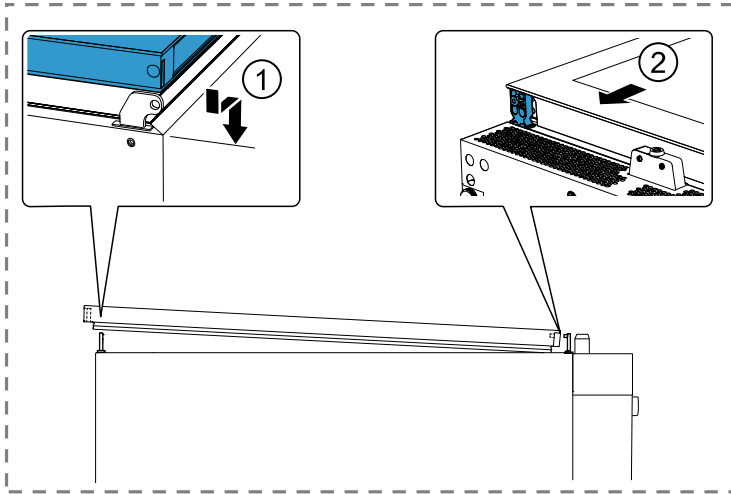
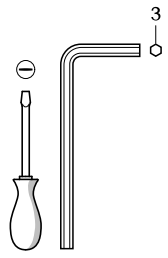
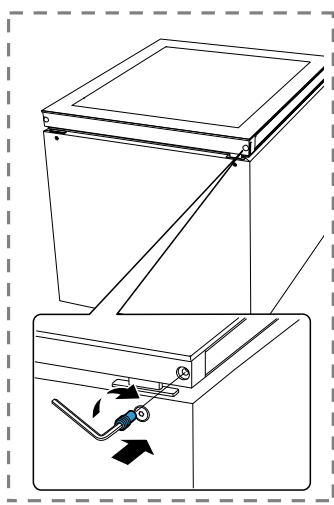
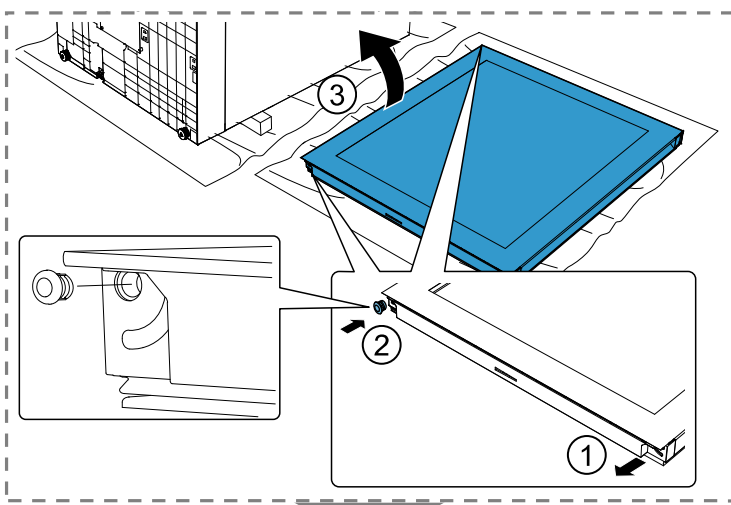
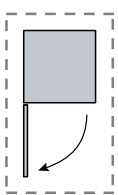
SW8

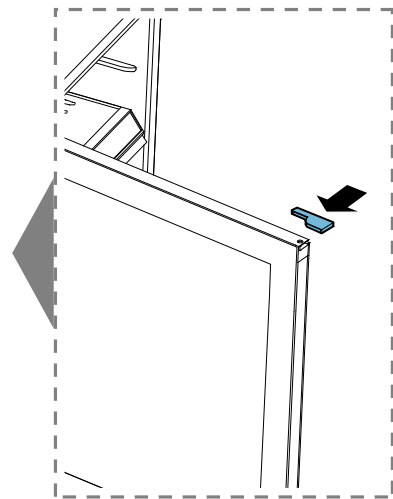
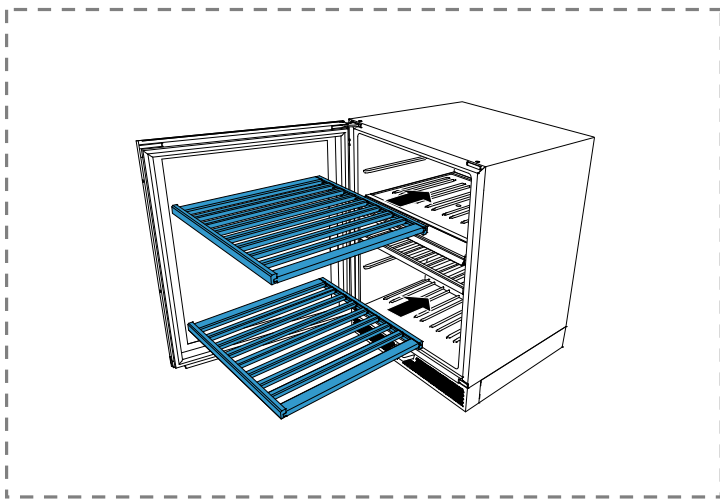
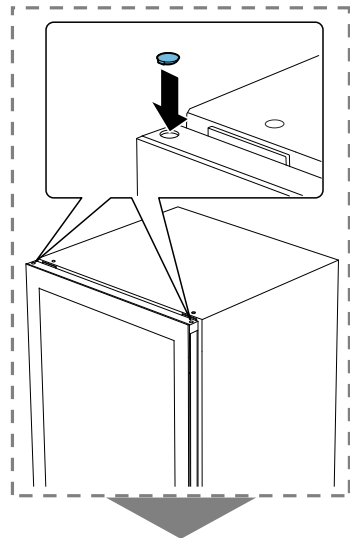
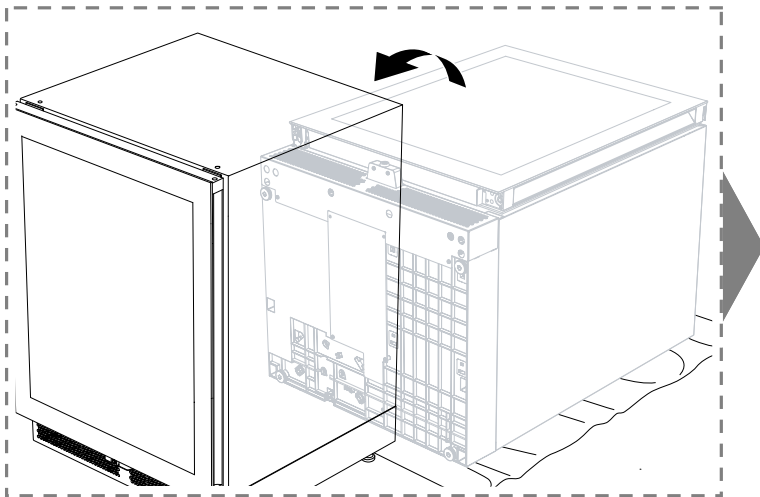
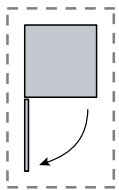


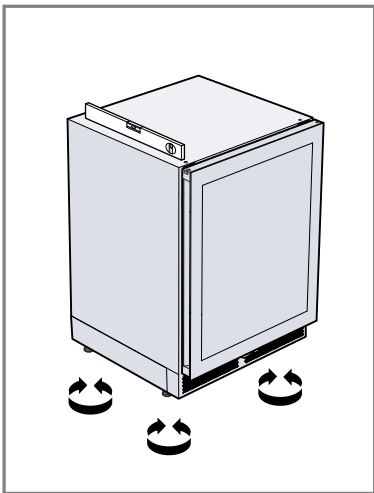


Torx
T 25











A series of horizontal lines for writing, starting from the top and extending to the bottom of the page. A vertical line is positioned on the left side of the page, creating a margin.