

November 9, 2012

## Notification of changes **Improved ring core isolation**

The coating process for EPCOS ring and DL cores will be optimized to improve their electrical isolation properties. The dimensions of the listed cores will change slightly due to the thicker coating. The changed dimensions of all affected core types are listed in the attached tables.

Affected products:

- All epoxy-coated R87, R102 and R140 cores (see PCN CPP495 with annex)
- All parylene-coated R and DL cores (see PCN CPP591 with annex)

Scheduled date of introduction:      March 1, 2013

**Enclosures**    Notification of changes (PCN CPP495 with annex)  
                     Notification of changes (PCN CPP591 with annex)

**Contact**      Dr. Helko Meuche, MAG TF F PM, Munich

**Customers are asked to address inquiries directly to their sales contacts.**



**Product / Process Change Notification  
Produkt-/ Prozess-Änderungsmitteilung**

<b>1. ID No. / ID-Nr.:</b> CPP495 iss.4		<b>2. Date of announcement / Datum der Ankündigung:</b> November 9, 2012	
<b>3. Type / Produktgruppe:</b> R87 / 54.3 / * R102 / 65.8 / * R140 / 103 / * See annex	<b>Old ordering code / Alte Bestell-Nr.:</b> See annex	<b>New ordering code / Neue Bestell-Nr.:</b> No change/ Keine Änderung	<b>Customer part number / Kundensachnummer:</b>
<b>4. Description of change / Beschreibung der Änderung:</b> To improve the quality of the coating of the affected cores, its height will be increased by 0.2 to 0.3 mm. All affected products are listed in the attached table together with their height specification. / Zur Qualitätsverbesserung wird die Beschichtung der betroffenen Kerne um 0,2 mm bis 0,3 mm erhöht. Alle betroffenen Produkte sind in der angehängten Tabelle mit der Spezifikation der Höhe angegeben.			
<b>5. Effect on the product or for customers (quality, specification, lead time) / Auswirkung auf das Produkt oder für den Kunden (Qualität, Spezifikation, Lieferzeiten):</b> Change of dimensions. Improved quality of coating./ Änderung der Abmessung. Bessere Qualität der Beschichtung.			
<b>6. Quality assurance measures / Maßnahmen zur Qualitätssicherung:</b> Without change./ Keine Änderung.			
<b>7. Scheduled date of introduction / Geplante Einführung:</b> March 1, 2013			
<b>8. Customer feedback / Rückmeldung vom Kunden:</b> If EPCOS does not receive notification to the contrary within a period of 10 weeks, EPCOS assumes that the customer agrees to the change. For an interim period we cannot rule out that old as well as new products will be shipped. Falls EPCOS innerhalb von 10 Wochen keine gegenteilige Mitteilung erhält, geht EPCOS davon aus, dass die geplante Änderung vom Kunden akzeptiert ist. Innerhalb einer Übergangszeit kann es vorkommen, dass sowohl alte wie auch neue Ware geliefert wird.			
Quality Management: Name: Mr. Jaroslav Vančura		Signature sgd. Vančura	
Product Marketing: Tel: +49 89 636 22106 Fax: +49 89 636 24112 E-mail: helko.meuche@epcos.com Name: Dr. Helko Meuche		Signature sgd. Meuche	
Customer acknowledgement Bestätigung durch den Kunden		Signature	

**Annex to UPtoDATE 121109IN1 and PCN CPP495 Issue 4 of November 9, 2012  
Improved ring core isolation**

**Affected products: Epoxy-coated cores**

Ordering code	Core	OLD Max. coated height [mm]	NEW Max. coated height [mm]
B64260L0730X830	R87/54.3/13.5	14.6	14.8
B64290L0730X037			
B64290L0730X065			
B64290L0730X087			
B64290L0730X830			
B64290L0798X087	R87/54.3/27	28.3	28.5
B64290L0084X038	R102/65.8/15	16.3	16.5
B64290L0084X065			
B64290L0084X087			
B64290L0084X830			
B64290L0705X037	R140/103/25	26.8	27.2
B64290L0705X830			
B64290L0705X065			



**Product / Process Change Notification  
Produkt-/ Prozess-Änderungsmitteilung**

<b>1. ID No. / ID-Nr.:</b> CPP591 iss.4		<b>2. Date of announcement / Datum der Ankündigung:</b> November 9, 2012	
<b>3. Type / Produktgruppe:</b> Ring and double-aperture cores with parylene coating (see annex 1 and 2)/  Ring- und Doppellochkerne mit Parylenbeschichtung (siehe Anhang 1 und 2)	<b>Old ordering code / Alte Bestell-Nr.:</b> B64290P*X* B64290S7*X* B62152P*X* B62152S7*X*	<b>New ordering code / Neue Bestell-Nr.:</b> No change/ Keine Änderung	<b>Customer part number / Kundensachnummer:</b>
<b>4. Description of change / Beschreibung der Änderung:</b> Dimensions of all toroids and double aperture cores coated with parylene coating will be increased by 0.05 mm to improve their insulation properties. All affected parts are listed in the attached table together with the new coated dimensions. /  Die Abmessungen aller Ring- und Doppellochkerne mit Parylenbeschichtung werden um 0,05 mm vergrößert, damit die Isolationfähigkeit verbessert wird. Alle betroffenen Kerne mit der Abmessungsspezifikation sind in der angehängten Tabelle angegeben.			
<b>5. Effect on the product or for customers (quality, specification, lead time) / Auswirkung auf das Produkt oder für den Kunden (Qualität, Spezifikation, Lieferzeiten):</b> Change of dimension specification /  Änderung von der Abmessungsspezifikation.			
<b>6. Quality assurance measures / Maßnahmen zur Qualitätssicherung:</b> Improved insulation properties of parylene. /  Bessere Isolationfähigkeit von Parylen.			
<b>7. Scheduled date of introduction / Geplante Einführung:</b> March 1, 2013			
<b>8. Customer feedback / Rückmeldung vom Kunden:</b> If EPCOS does not receive notification to the contrary within a period of 10 weeks, EPCOS assumes that the customer agrees to the change. For an interim period we cannot rule out that old as well as new products will be shipped. Falls EPCOS innerhalb von 10 Wochen keine gegenteilige Mitteilung erhält, geht EPCOS davon aus, dass die geplante Änderung vom Kunden akzeptiert ist. Innerhalb einer Übergangszeit kann es vorkommen, dass sowohl alte wie auch neue Ware geliefert wird.			



Quality Management: Name: Jaroslav Vančura	Signature sgd. Vančura
Product Marketing: Tel: +49 89 636 22106 Fax: +49 89 636 24112 E-mail: helko.meuche@epcos.com Name: Dr. Helko Meuche	Signature sgd. Meuche
Customer acknowledgement Bestätigung durch den Kunden	Signature



Electronic Parts and Components

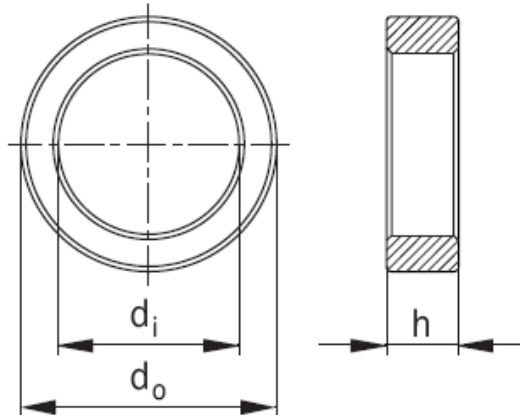
**Annex to UPtoDATE 121109IN1 and PCN CPP591 Issue 4 of November 9, 2012 /  
Improved ring core isolation**

**Annex 1: Affected ring cores**

Ordering code	Core	OLD	NEW	OLD	NEW	OLD	NEW
		Max. coating outer diameter [mm]	Max. coating outer diameter [mm]	Min. coating inner diameter [mm]	Min. coating inner diameter [mm]	Max. coating height [mm]	Max. coating height [mm]
B64290P0035X038	R2.5/1.5/1	2.644	2.670	1.376	1.350	1.124	1.150
B64290P0035X046	R2.5/1.5/1	2.644	2.670	1.376	1.350	1.124	1.150
B64290P0035X092	R2.5/1.5/1	2.644	2.670	1.376	1.350	1.124	1.150
B64290P0035X830	R2.5/1.5/1	2.644	2.670	1.376	1.350	1.124	1.150
B64290S7779X002	R4/2.4/2.69	4.144	4.170	2.256	2.230	2.844	2.870
B64290P0036X001	R4/2.4/1.6	4.144	4.170	2.256	2.230	1.724	1.750
B64290P0036X033	R4/2.4/1.6	4.144	4.170	2.256	2.230	1.724	1.750
B64290P0036X038	R4/2.4/1.6	4.144	4.170	2.256	2.230	1.724	1.750
B64290P0036X065	R4/2.4/1.6	4.144	4.170	2.256	2.230	1.724	1.750
B64290P0036X830	R4/2.4/1.6	4.144	4.170	2.256	2.230	1.724	1.750
B64290S7036X013	R4/2.4/1.6	4.144	4.170	2.256	2.230	1.724	1.750
B64290P0037X001	R6.3/3.8/2.5	6.474	6.500	3.656	3.630	2.644	2.670
B64290P0037X033	R6.3/3.8/2.5	6.474	6.500	3.656	3.630	2.644	2.670
B64290P0037X037	R6.3/3.8/2.5	6.474	6.500	3.656	3.630	2.644	2.670
B64290P0037X038	R6.3/3.8/2.5	6.474	6.500	3.656	3.630	2.644	2.670
B64290P0037X042	R6.3/3.8/2.5	6.474	6.500	3.656	3.630	2.644	2.670
B64290P0037X046	R6.3/3.8/2.5	6.474	6.500	3.656	3.630	2.644	2.670
B64290P0037X048	R6.3/3.8/2.5	6.474	6.500	3.656	3.630	2.644	2.670
B64290P0037X049	R6.3/3.8/2.5	6.474	6.500	3.656	3.630	2.644	2.670
B64290P0037X065	R6.3/3.8/2.5	6.474	6.500	3.656	3.630	2.644	2.670
B64290P0037X087	R6.3/3.8/2.5	6.474	6.500	3.656	3.630	2.644	2.670
B64290P0037X830	R6.3/3.8/2.5	6.474	6.500	3.656	3.630	2.644	2.670
B64290S7037X018	R6.3/3.8/2.5	6.474	6.500	3.656	3.630	2.644	2.670
B64290S7037X019	R6.3/3.8/2.5	6.474	6.500	3.656	3.630	2.644	2.670
B64290S7037X020	R6.3/3.8/2.5	6.474	6.500	3.656	3.630	2.644	2.670
B64290P0056X095	R5.84/3.05/1.52	5.984	6.010	2.906	2.880	1.664	1.690
B64290P0057X038	R5.84/3.05/2.4	5.984	6.010	2.906	2.880	2.574	2.600
B64290S7754X003	R3.94/2.24/1.65	4.084	4.110	2.096	2.070	1.794	1.820
B64290P0061X042	R3.94/2.24/1.3	4.084	4.110	2.096	2.070	1.444	1.470
B64290P0061X046	R3.94/2.24/1.3	4.084	4.110	2.096	2.070	1.444	1.470

Ordering code	Core	OLD	NEW	OLD	NEW	OLD	NEW
		Max. coating outer diameter [mm]		Min. coating inner diameter [mm]		Max. coating height [mm]	
B64290P0072X042	R2.5/1.5/1.3	2.644	2.670	1.376	1.350	1.444	1.470
B64290P0072X046	R2.5/1.5/1.3	2.644	2.670	1.376	1.350	1.444	1.470
B64290P0072X065	R2.5/1.5/1.3	2.644	2.670	1.376	1.350	1.444	1.470
B64290S7686X001	R2.5/1.5/0.8	2.644	2.670	1.376	1.350	0.924	0.950
B64290S7758X002	R2.54/1.27/0.76	2.684	2.710	1.146	1.120	0.904	0.930
B64290P0734X038	R2.54/1.27/1.27	2.684	2.710	1.146	1.120	1.414	1.440
B64290S7734X008	R2.54/1.27/1.27	2.684	2.710	1.146	1.120	1.414	1.440
B64290P0074X033	R5.84/3.05/1.75	5.984	6.010	2.906	2.880	1.774	1.800
B64290S7074X004	R5.84/3.05/1.75	5.984	6.010	2.906	2.880	1.874	1.900
B64290P0630X065	R6.3/3.8/4	6.474	6.500	3.656	3.630	4.174	4.200
B64290P0676X830	R6.3/3.8/5	6.474	6.500	3.656	3.630	5.224	5.250
B64290P0681X042	R9.53/4.75/2	9.744	9.770	4.606	4.580	2.124	2.150
B64290P0681X046	R9.53/4.75/2	9.744	9.770	4.606	4.580	2.124	2.150
B64290P0683X010	R3.05/1.27/1.27	3.194	3.220	1.126	1.100	1.414	1.440
B64290P0683X038	R3.05/1.27/1.27	3.194	3.220	1.126	1.100	1.414	1.440
B64290P0683X065	R3.05/1.27/1.27	3.194	3.220	1.126	1.100	1.414	1.440
B64290S7683X003	R3.05/1.27/1.27	3.194	3.220	1.126	1.100	1.414	1.440
B64290S7733X002	R3.05/1.78/2.03	3.194	3.220	1.636	1.610	2.174	2.200
B64290S7733X007	R3.05/1.78/2.03	3.194	3.220	1.636	1.610	2.174	2.200
B64290S7733X009	R3.05/1.78/2.03	3.194	3.220	1.636	1.610	2.174	2.200
B64290S7738X002	R3.05/1.78/1.52	3.194	3.220	1.636	1.610	1.664	1.690
B64290P0687X038	R5.84/3.05/3.0	5.984	6.010	2.906	2.880	3.144	3.170
B64290P0687X042	R5.84/3.05/3.0	5.984	6.010	2.906	2.880	3.144	3.170
B64290P0687X046	R5.84/3.05/3.0	5.984	6.010	2.906	2.880	3.144	3.170
B64290P0687X092	R5.84/3.05/3.0	5.984	6.010	2.906	2.880	3.144	3.170
B64290P0687X830	R5.84/3.05/3.0	5.984	6.010	2.906	2.880	3.144	3.170
B64290P0692X042	R4/2.4/1.8	4.144	4.170	2.276	2.250	1.944	1.970
B64290P0692X046	R4/2.4/1.8	4.144	4.170	2.276	2.250	1.944	1.970
B64290P0718X038	R6.3/3.8/3.5	6.474	6.500	3.656	3.630	3.674	3.700
B64290P0723X042	R3.94/2.24/2.3	4.084	4.110	2.096	2.070	2.474	2.500
B64290P0723X046	R3.94/2.24/2.3	4.084	4.110	2.096	2.070	2.474	2.500
B64290P0723X830	R3.94/2.24/2.3	4.084	4.110	2.096	2.070	2.474	2.500
B64290P0724X013	R3.43/1.78/1.52	3.574	3.600	1.636	1.610	1.664	1.690
B64290S7724X002	R3.43/1.78/1.52	3.574	3.600	1.636	1.610	1.664	1.690
B64290S7709X002	R3.43/1.78/2.11	3.574	3.600	1.636	1.610	2.254	2.280

Ordering code	Core	OLD	NEW	OLD	NEW	OLD	NEW
		Max. coating outer diameter [mm]		Min. coating inner diameter [mm]		Max. coating height [mm]	
B64290P0727X038	R8.25/4.5/4.5	8.474	8.500	4.356	4.330	4.724	4.750
B64290S7759X002	R3.94/1.78/0.89	4.084	4.110	1.636	1.610	1.014	1.040
B64290P0732X038	R3.94/1.78/1.78	4.134	4.160	1.636	1.610	1.924	1.950
B64290P0732X055	R3.94/1.78/1.78	4.134	4.160	1.636	1.610	1.924	1.950
B64290P0739X042	R3.05/1.27/2.54	3.194	3.220	1.126	1.100	2.684	2.710
B64290P0739X010	R3.05/1.27/2.54	3.194	3.220	1.126	1.100	2.684	2.710
B64290P0739X046	R3.05/1.27/2.54	3.194	3.220	1.126	1.100	2.684	2.710
B64290P0739X057	R3.05/1.27/2.54	3.194	3.220	1.126	1.100	2.684	2.710
B64290P0739X065	R3.05/1.27/2.54	3.194	3.220	1.126	1.100	2.684	2.710
B64290S7739X006	R3.05/1.27/2.54	3.194	3.220	1.126	1.100	2.684	2.710
B64290S7739X007	R3.05/1.27/2.54	3.194	3.220	1.126	1.100	2.684	2.710
B64290S7739X008	R3.05/1.27/2.54	3.194	3.220	1.126	1.100	2.684	2.710
B64290P0742X010	R12.7/7.9/6.35	13.024	13.050	7.626	7.600	6.574	6.600
B64290S7731X003	R3.43/1.78/1.78	3.574	3.600	1.636	1.610	1.924	1.950
B64290S7731X007	R3.43/1.78/1.78	3.574	3.600	1.636	1.610	1.924	1.950
B64290S7731X009	R3.43/1.78/1.78	3.574	3.600	1.636	1.610	1.924	1.950
B64290P0745X095	R3.43/1.78/2.03	3.624	3.650	1.636	1.610	2.174	2.200
B64290S7745X002	R3.43/1.78/2.03	3.624	3.650	1.636	1.610	2.174	2.200
B64290P0751X038	R8/4/4	8.204	8.230	3.856	3.830	4.144	4.170
B64290P0751X065	R8/4/4	8.204	8.230	3.856	3.830	4.144	4.170
B64290P0751X830	R8/4/4	8.204	8.230	3.856	3.830	4.144	4.170
B64290P0767X038	R6.3/3.8/3.18	6.474	6.500	3.656	3.630	3.324	3.350
B64290S7712X004	R6.3/3.8/4.3	6.474	6.500	3.604	3.630	4.576	4.550
B64290S7740X002	R10/6/6	10.224	10.250	6.276	6.250	5.774	5.800
B64290S7747X002	R2.92/1.70/2.41	3.074	3.100	1.546	1.520	2.564	2.590





**Annex 2: Affected double-aperture cores**

Ordering code	Core	OLD	NEW	OLD	NEW	OLD	NEW	OLD	NEW
		Max. coating h [mm]	Max. coating b [mm]	Max. coating a [mm]	Min. coating d [mm]				
B62152P0007X030	DL6.2/7.25/4.2	6.224	6.250	7.274	7.300	4.224	4.250	1.676	1.650
B62152S7007X006	DL6.2/7.25/4.2	6.224	6.250	7.274	7.300	4.224	4.250	1.676	1.650
B62152P0008X011	DL2.5/3.6/2.1	2.524	2.550	3.624	3.650	2.124	2.150	0.776	0.750
B62152P0008X030	DL2.5/3.6/2.1	2.524	2.550	3.624	3.650	2.124	2.150	0.776	0.750
B62152S7008X011	DL2.5/3.6/2.1	2.524	2.550	3.624	3.650	2.124	2.150	0.776	0.750
B62152P0015X030	DL1.4/3.6/2.1	1.424	1.450	3.624	3.650	2.124	2.150	0.776	0.750
B62152P0027X030	DL2.0/3.6/2.1	2.024	2.050	3.624	3.650	2.124	2.150	0.776	0.750

