

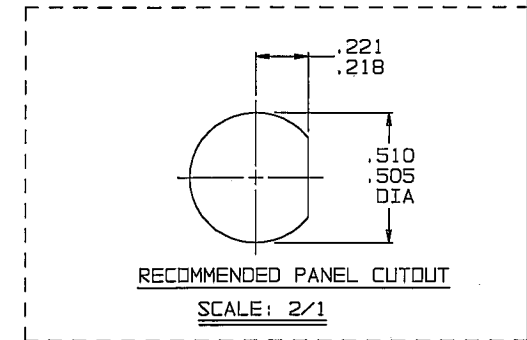
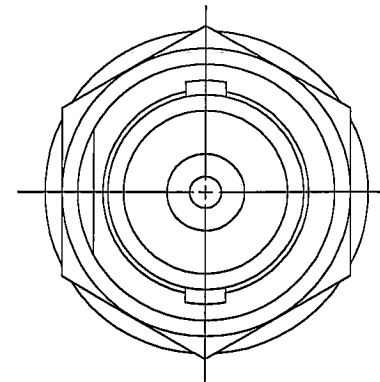
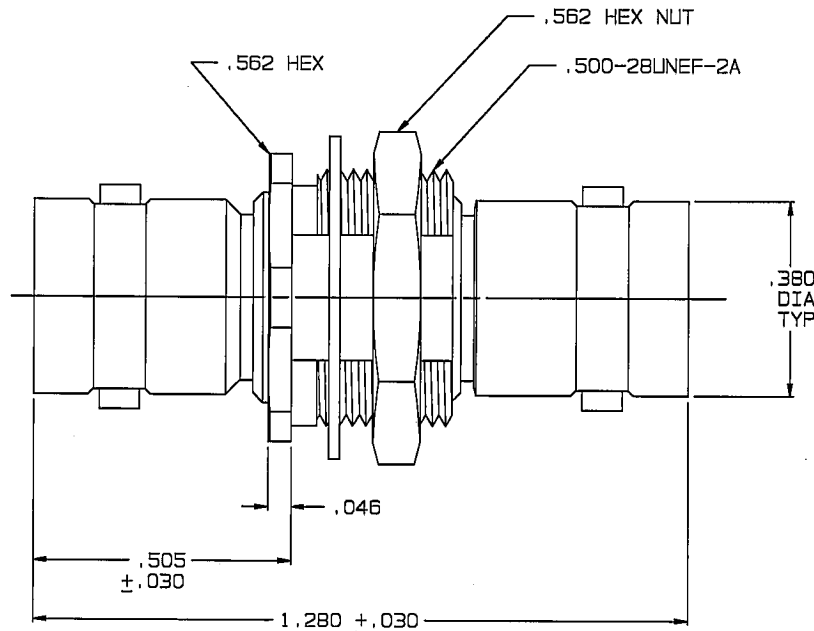
RED INDICATES ORIGINAL

DATA CONTAINED IN THIS DOCUMENT IS PROPRIETARY TO TROMPETER ELECTRONICS INC. AND SHALL NOT BE DISCLOSED, COPIED OR USED FOR PROCUREMENT OR MANUFACTURE WITHOUT EXPRESS WRITTEN PERMISSION.

REVISIONS			1-0133	SH 1C
REV	EO	DESCRIPTION	DWN	APPROVED
T	13282	CHANGED NOTE 3 ON SHEET 2: 8 IN/LB TORQUE WAS 12 IN/LB TORQUE; SEE ECO	DKC	<i>[Signature]</i>
				3/17/00

DASH NO	MODEL NO	IMPD OHMS
-1	BJ28	50
-2	UBJ28	75

INCH	MM
.005	0.13
.030	0.76
.046	1.17
.156	3.96
.218	5.54
.221	5.61
.380	9.65
.505	12.83
.510	12.95
.562	14.27
1.280	32.51



4. SOCKET CONTACT COAXIAL BNC TYPE INSULATED FEED THRU BULKHEAD JACK, 50 AND 75 OHM VERSIONS
3. MAX PANEL THK .156
2. FINISH: TFS-1A, (NICKEL)
1. ALL DIM ARE IN INCHES

QTY	DESCRIPTION		PART NUMBER	ITEM
	TOL UNLESS SPECIFIED		TROMPETER ELECTRONICS, INC.	BJ28/UBJ28
	.XX ±			
	.XXX ±	.005		
	.XXX ±	ANGLE±		
105-1043	DWN	DKC 2-29-00	MATERIAL	CODE IDENT
155-0574	CHK	<i>[Signature]</i> 3-7-00	14949	DRAWING NO.
155-0538	ENGR			1-0133
155-0512	APPR	<i>[Signature]</i> 3-7-00	SCALE 4/1	DATE 9/15/66
NEXT ASSY				SHEET 1C
				REV T