

**Industrial Ethernet
IE-FC-SFP-KNOB**

Weidmüller Interface GmbH & Co. KG
Klingenbergstraße 16
D-32758 Detmold
Germany
Fon: +49 5231 14-0
Fax: +49 5231 14-292083
www.weidmueller.com



FrontCom® Vario integrates multiple functions in only one single frame. The system is easy to install and you can select from a wide range of data, signal and power modules. In addition to being extremely compact, FrontCom® Vario offers a number of unique product features that will make your project planning and work activities secure, fast and future-proof. Furthermore, the FrontCom® Vario system has an attractive housing design that, by the way, offers highest impact-resistance and fully meets the requirements of IP 65 protection class.

General ordering data

Type	IE-FC-SFP-KNOB
Order No.	1450510000
Version	FrontCom, Single frame, Plastic cover
GTIN (EAN)	4050118255454
Qty.	1 pc(s).

**Industrial Ethernet
IE-FC-SFP-KNOB**

Weidmüller Interface GmbH & Co. KG
 Klingenbergstraße 16
 D-32758 Detmold
 Germany
 Fon: +49 5231 14-0
 Fax: +49 5231 14-292083
 www.weidmueller.com

Technical data

Dimensions and weights

Length	134 mm	Length (inches)	5.276 inch
Width	67 mm	Width (inches)	2.638 inch
Height	27.5 mm	Height (inches)	1.083 inch
Wall thickness, max.	5 mm	Wall thickness, min.	1 mm
Net weight	308.49 g		

Temperatures

Operating temperature, max.	70 °C	Operating temperature, min.	-40 °C
Operating temperature	-40 °C...70 °C	Storage temperature	
Installation temperature			

General data

Material cover	Polycarbonate PC	Material frame	Zinc diecast
Product type	Single frame, Plastic cover	Protection degree	IP65, in closed state

Standards

Certificate No. (GERMLLOYD)	13866-15
-----------------------------	----------

Downloads

GL Approval Guidelines	GL_FrontCom.pdf
------------------------	-----------------

Classifications

ETIM 5.0	EC000456	ETIM 6.0	EC001031
UNSPSC	31-16-23-03	eClass 6.2	27-25-05-04
eClass 7.1	27-18-92-17	eClass 8.1	27-18-92-17
eClass 9.0	27-18-92-17	eClass 9.1	27-18-27-90

Approvals

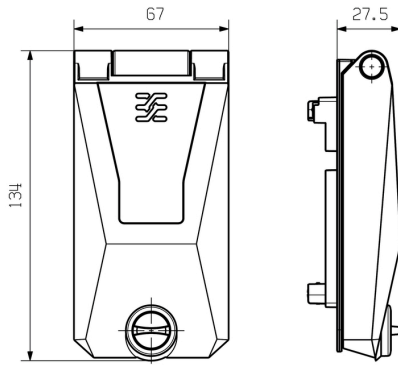
Approvals	
ROHS	Conform

**Industrial Ethernet
IE-FC-SFP-KNOB**

Weidmüller Interface GmbH & Co. KG
 Klingenbergstraße 16
 D-32758 Detmold
 Germany
 Fon: +49 5231 14-0
 Fax: +49 5231 14-292083
 www.weidmueller.com

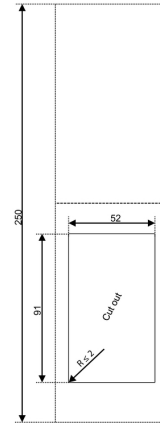
Drawings

Dimensioned drawing



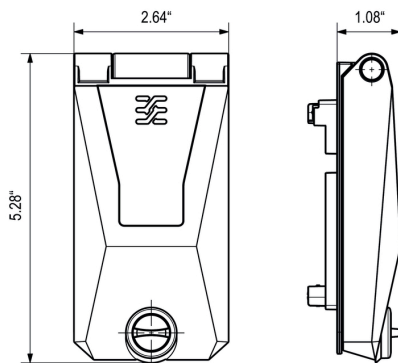
Unit: mm

Installation cut-out



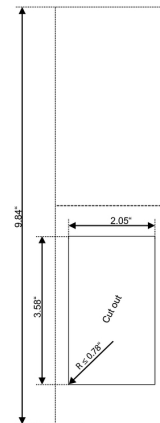
Unit: mm

Dimensioned drawing



Unit: in

Installation cut-out



Unit: in