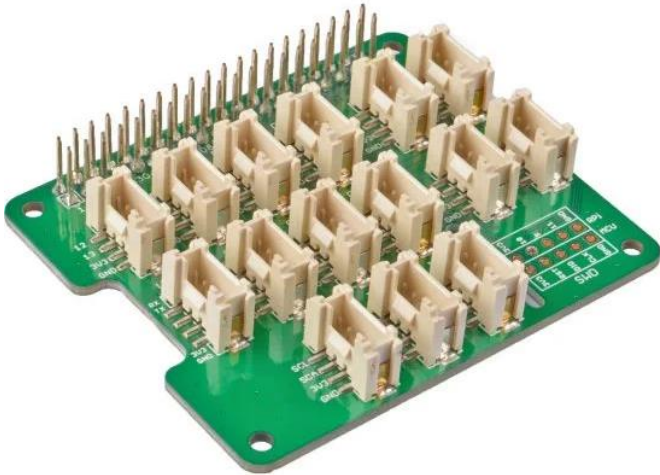


Grove Base Hat for Raspberry Pi

Part Number: 103030275

Overview:

The Grove Base Hat for Raspberry Pi provides a Digital/Analog/I2C/PWM/UART port to meet all your needs. And the Grove Base Hat is compatible with [Jetson nano and Jetson NX series](#) products. For details, please refer to this [Blog](#).



Product Details:

Today, the grove series of sensors, actuators, and displays have grown into a large family. More and more grove modules will join the whole Grove ecosystem in the future. We see the Grove helps hundreds of thousands of makers, engineers, teachers, students, and even artists to learn, to make, to create...We always feel it is our responsibility to make the Grove module compatible with more platforms. Now we bring you the Grove Base Hat for Raspberry Pi and [Grove Base Hat for Raspberry Pi Zero](#), in another word, we bring the Raspberry Pi the whole Grove System.

The Grove Base Hat for Raspberry Pi provides a Digital/Analog/I2C/PWM/UART port to meet all your needs. With the help of the build-in MCU, a 12-bit 8 channel ADC is also available for Raspberry Pi.

Currently, more than 60 groves have supported the Grove Base Hat for Raspberry Pi. In addition, we will continue to add new compatible modules to the compatible list, the more you use, the more grove will be added.

Compared with Grove Pi+, the Grove Base Hat for Raspberry Pi does not use the ATMEGA chip for data conversion, so it runs faster. We provide the Raspberry Pi driver for Grove Base Hat for Raspberry Pi. What's more, Grove Base Hat for Raspberry Pi is much more cost-effective. In other words, we lowered the threshold for using the grove series on the Raspberry Pi. We hope you like it, enjoy :D

Attention

This hat does not contain a Raspberry Pi, the second picture is just a connection diagram. If you need one, you can click [Raspberry Pi](#).

Note

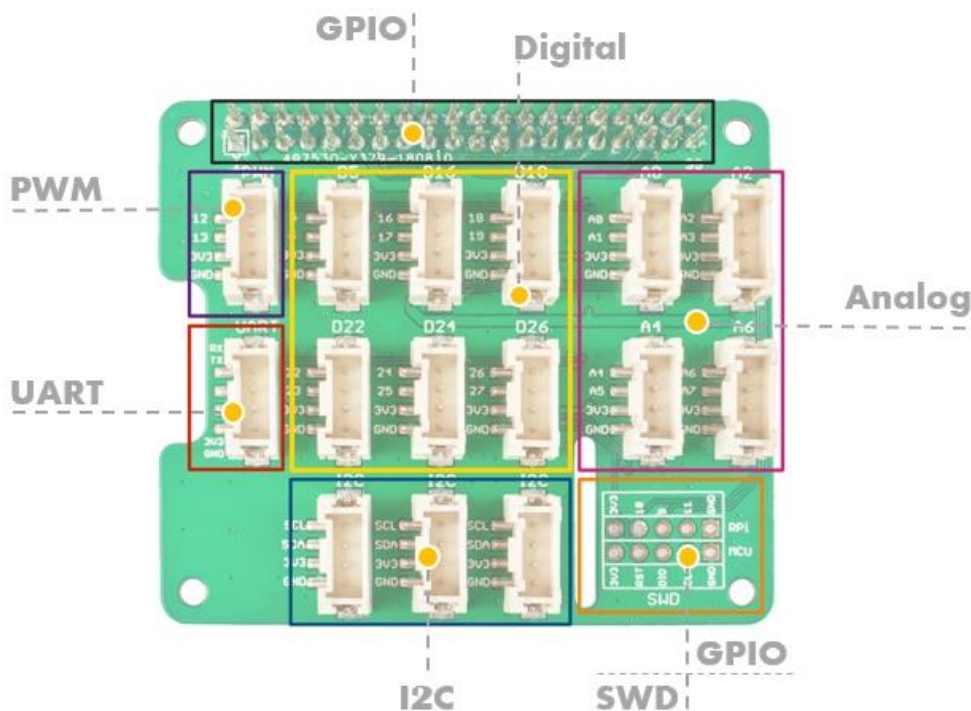
Because ST32 series chips are out of stock globally, prices have increased several times and there is no clear delivery date. We have no choice but to switch to the MM32 chip. The specific replacement models are as follows: STM32F030F4P6TR is replaced by MM32F031F6P6. After the chip is replaced, the product functions, features, usage methods, and codes remain unchanged. It should be noted that the firmware version has changed, and the factory firmware has been adjusted according to different chips. If you need to re-burn the firmware, please download the firmware corresponding to the chip.

Moreover, the IIC address of MM32 is 0x08, while the STM32 is 0x04.

Features:

- Support Raspberry pi 2/ 3B/3B+/4/Zero
- build-in MCU STM32
- 12-bit ADC
- Multi-type Grove port
- Compatible: Raspberry Pi 4、 Jetson nano and Jetson NX series products

Pin Out:



Technical Details:

Dimensions	55mm x65mm x20mm
Weight	G.W 24.5g
Battery	Exclude
Operating Voltage	3.3V
MCU	SMT32

Part List:

Grove Base Hat for Raspberry Pi	1
---------------------------------	---

ECCN/HTS

HSCODE	8543909000
USHSCODE	8543709860
FCC	1
CE	1