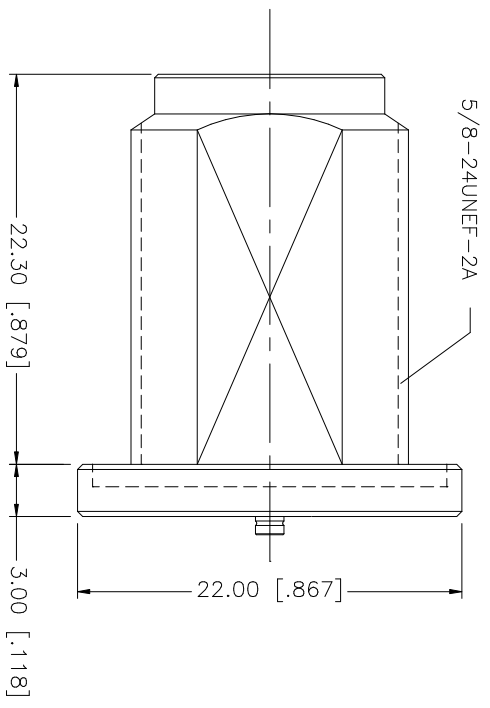
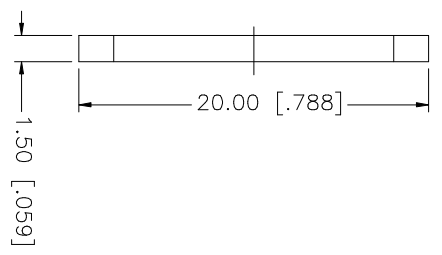
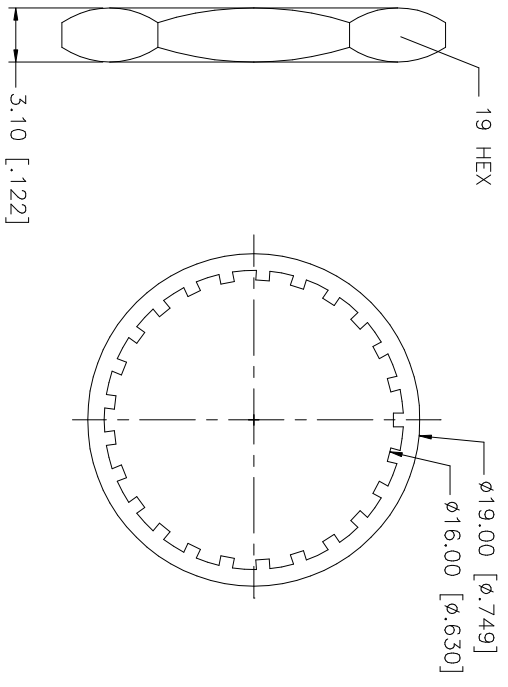
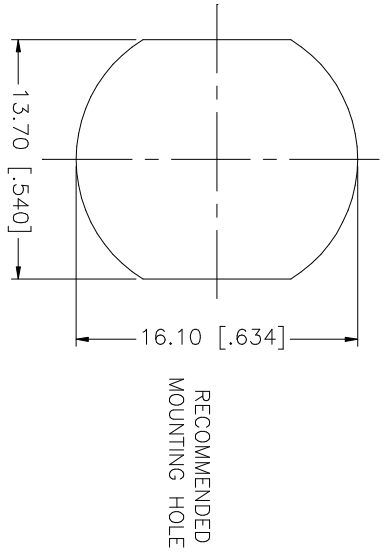


REV.	DATE	DESCRIPTION
NC	12/18/04	INITIAL RELEASE
A	04/05/06	ADD NOTE 1



NOTE:
1. MAX. VSWR 1.4:1 UP TO 6ghz

QTY	DESCRIPTION	MATERIAL	FINISH	QTY	DO NOT SCALE DRAWING	APPROVALS	DATE	PART DESCRIPTION							
1	HEX NUT	BRASS	NICKEL	1	UNLESS OTHERWISE SPECIFIED, DIMENSIONS ARE IN MILLIMETERS. DIMENSIONS IN INCHES ARE IN PARENTHESES AND FOR CUSTOMER REFERENCE ONLY.	DRAWN	G.R.S.	04/05/06	Amphenol Connex AMC JACK TO N BULKHEAD JACK 242216						
1	LOCK WASHER	BRASS	NICKEL	1	UNLESS OTHERWISE SPECIFIED, TOLERANCES FOR INCHES ARE:	CHECKED									
1	GASKET	SILICONE	RED	1	0.5 - 8mm ± 0.20mm	ISSUED									
1	CONTACT PIN	BER. COPPER	GOLD	1	8 - 30mm ± 0.40mm	SHEET	1 OF 1								
1	INSULATOR BODY	TEFLON BRASS	NATURAL NICKEL	1	30 - 120mm ± 0.50mm										
1	INSULATOR BODY	TEFLON BRASS	NATURAL NICKEL	1	UNLESS OTHERWISE SPECIFIED, TOLERANCES FOR INCHES ARE:										
1	INSULATOR BODY	TEFLON BRASS	NATURAL NICKEL	1	0.020 - .315 = ± 0.007"										
1	INSULATOR BODY	TEFLON BRASS	NATURAL NICKEL	1	.315 - 1.180 = ± 0.015"										
1	INSULATOR BODY	TEFLON BRASS	NATURAL NICKEL	1	1.180 - 4.724 = ± 0.020"										
						CAD FILE	C:/242/242216.DWG	DWG. NO.	242216.DWG	REV.	A	SIZE	A	SCALE	NA