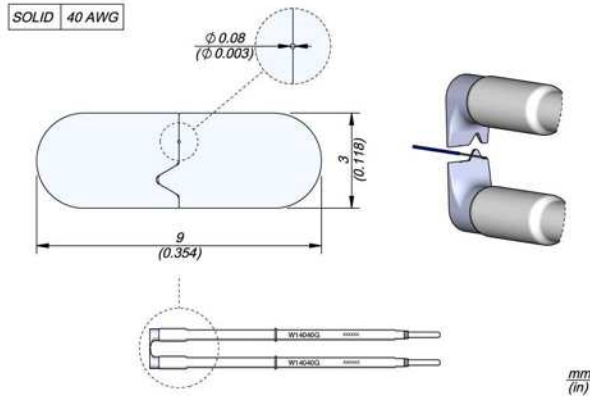


**JBC W14040G**

Cartridges W140 40G 3mm

**JBC**

W14040G is specially designed for **stripping high-temperature wire insulations made of thermostable materials** such as Teflon\*, Kapton\*, silicone rubber, etc, of **40 AWG (0.08 mm / 0.0031 in)**.

The self-centering design ensures a **perfect tip alignment**, allowing to remove the insulation without damaging conductors.

This cartridge works with WS140 Precision High-Temperature Wire Stripper Tweezers which has an adjustable strip length gauge to select the stripping length.

Both cartridges are included in this reference.

\* Registered Trade Marks of DuPont

## SPECIFICATIONS

**Net weight** 0,02 kg (0.05lb)

### DIMENSIONS AND WEIGHT

22 gr (0.05 lb)

38 gr (0.08 lb)

155 x 56 x 46 mm