

AtomPortABC

SKU:A130



Description

AtomPortABC is a **Grove** port extension base specially adapted to the **ATOM series**, which is convenient for users to connect to **I2C, Uart, GPIO** type **UNIT** units at the same time. The product offers a variety of fixing methods, such as suspension, Lego connection, screw fastening, etc. It is suitable for scenarios such as building multi-functional mini-node controllers.

Features

- Compatible with port ABC(I2CGPIUART)
- Compatible with ATOM series hosts

Includes

- 1 x AtomPortABC
- 1 x Pin Map sticker

Applications

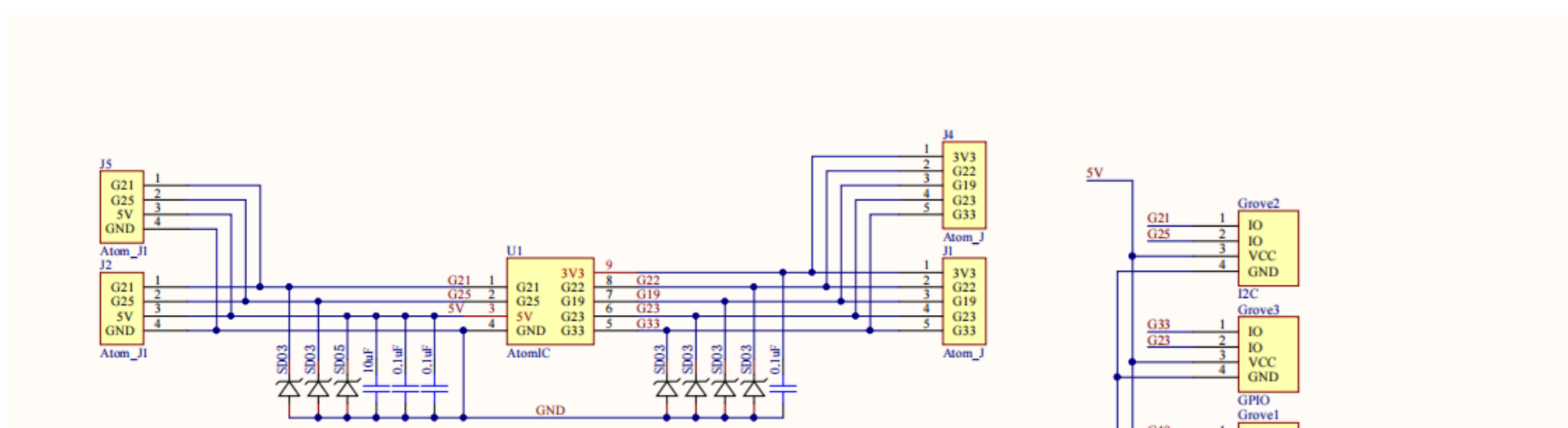
- Multifunctional control node

Specification

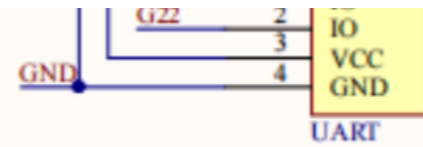
Resources	Parameters
Applicable sensor interface type	I2C、UART、GPIO
Operating temperature	0-40°C
Supported ATOM	ATOM Matrix、ATOM Lite、ATOMS3、ATOMS3 Lite
Product Size	64 * 24 * 29mm
Package Size	91 * 42 * 24.5mm
Product Weight	5g
Package Weight	10g



Schematic



J3	
G25	1
G21	2
G33	3
G23	4
G19	5
G22	6
GND	7
GND	8
GND	9
GND	10
5V	11
5V	12



PinMap

