

ABS-265-RC 25.0x14.0x5.4tmm 8OHM DYNAMIC SPEAKER

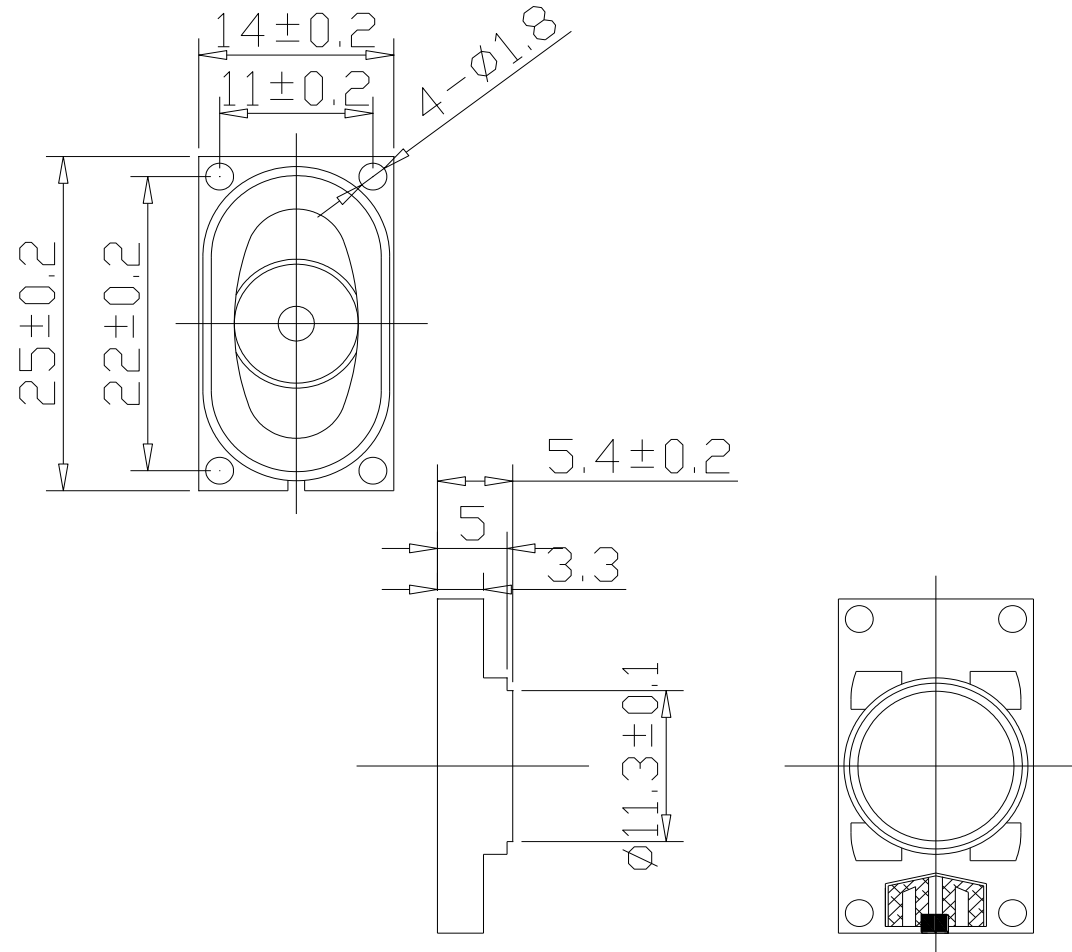
SPEAKERS

Specifications	ABS-265-RC
Rated impedance 1.0KHz/1.0V	8±20%Ω
Rated input power	1W
Max. input power	1.5W
Resonant frequency F ₀	1100±20%Hz/1V
Frequency range	F0Hz-20,000Hz
Sound pressure level at (AVG 0.8,1.0,1.2, 1.5)KHz 0.1W/0.1m	95±3dB
Flux density	1.0T
Total harmonic distortion	5%MAX. at 2KHz, 1W
Voice coil diameter	dia. 8.75mm
Magnet (NdFeB)	dia.8.0mm x 1.0tmm
Operating temperature	-30°C~+70°C
Storage temperature	-40°C~+80°C
Weight	2.5g

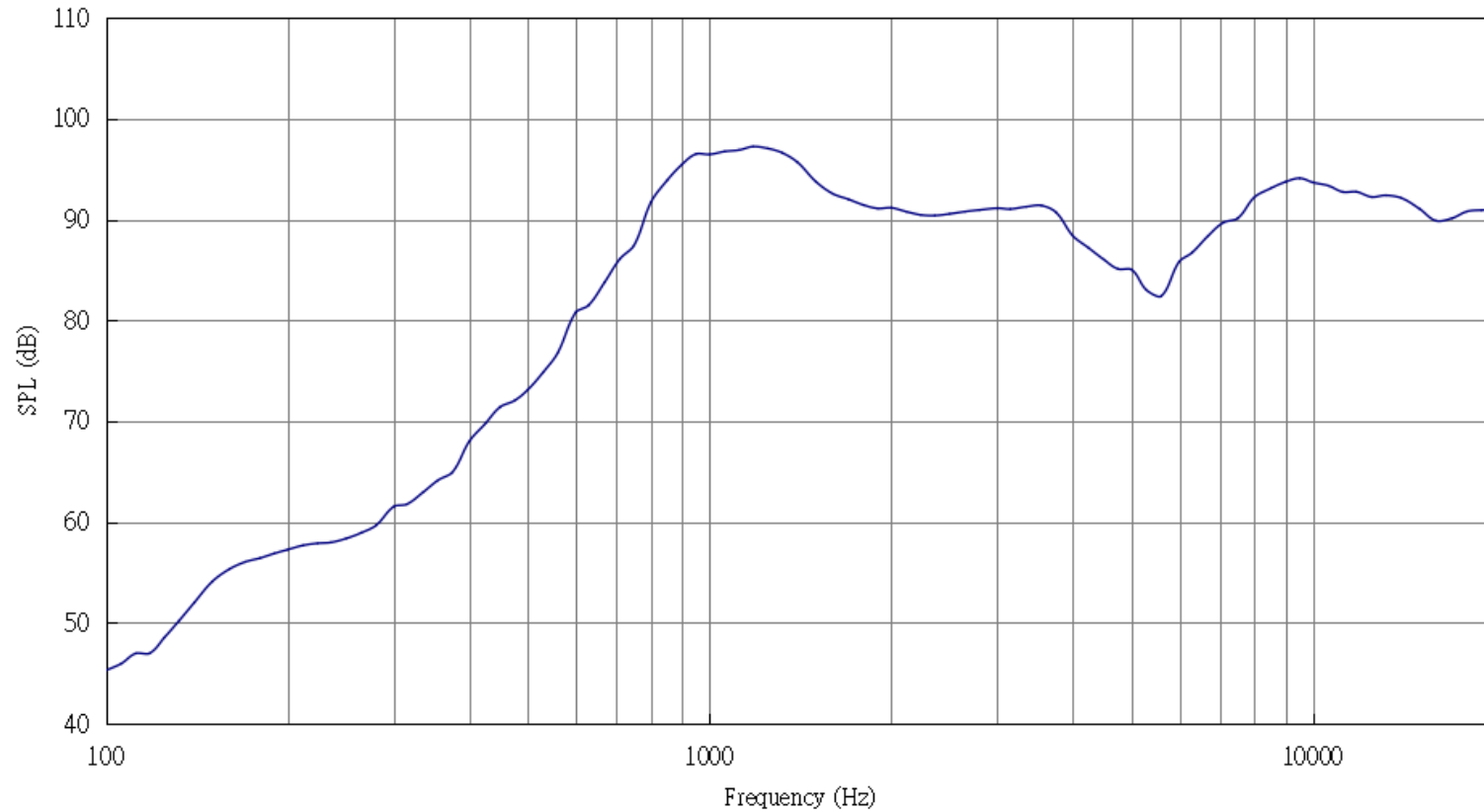
Material

Frame - ABS
 Diaphragm - Cloth
 Voice coil - Paper & Cu

Plate & Yoke - SPCC
 Magnet - NdFeB
 PCB - FR4



ABS-265-RC 25.0x14.0x5.6mm 8OHM DYNAMIC SPEAKER- Frequency Response Curve SPEAKERS



Alan Butcher Components

Alan Butcher Components Ltd

Unit 1 Beechwood Clump Farm Industrial Estate Tin Pot Lane Blandford Dorset DT11 7TD

Telephone 01258 456360 Email sales@abcomponents.co.uk

www.abcomponents.co.uk