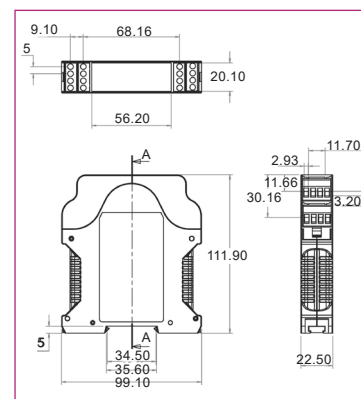


Vertical DIN Rail enclosures: CVB-PLUS1

Product overview

- 22.5mm wide vertical DIN Rail mount housing
- Clip together design for fast assembly
- Supplied with four 4-pole 5mm pitch pluggable terminal blocks
- 16 positions
- Grey UL94-V0 Polycarbonate
- Front and side label recesses
- Solid and vented versions available
- Top hat 35mm DIN Rail or surface mounting



SPECIFICATION	
Rating terminals	15A 300V
Contact resistance	20mΩ
Insulation resistance	500mΩ/DC500V
Withstand voltage	AC2000V/1min
Materials	Pin head: Brass, tin plated Housing: Grey UL94-V0 Polycarbonate
Terminal block	See page 403 for terminal block specification

PART NO.	DESCRIPTION	LENGTH	WIDTH	HEIGHT
CVB-PLUS1	Solid sides	112mm	22.5mm	99mm
CVB-PLUS1V	Vented sides	112mm	22.5mm	99mm

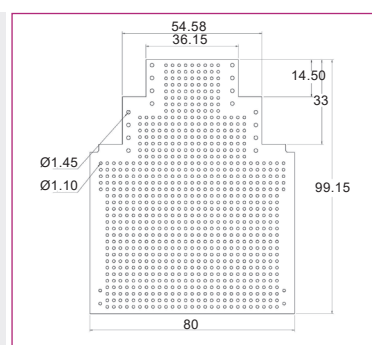
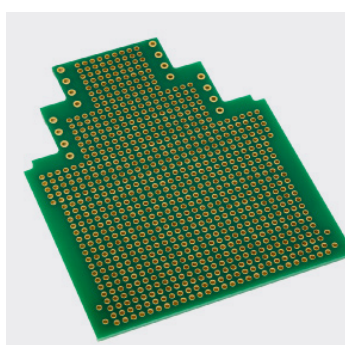
KIT PART DESCRIPTION	NUMBER OF PIECES
Enclosure Base Sides	2
Enclosure Lid	1
Black DIN Rail Clips	2
5mm 4 pole Female Terminal Block	4
5mm 4 pole Male Terminal Block - Left Side	2
5mm 4 pole Male Terminal Block - Right Side	2

ACCESSORIES

CVB-plus pcb

- Material: 2-layer FR4
- X826 1.3mm diameter holes
- X16 1.5mm diameter holes (reserved for terminal blocks)

PART NO.	DESCRIPTION	LENGTH	WIDTH	HEIGHT
CVB-PLUS-PCB	PCB	80mm	99.2mm	1.6mm



CVB-plus metal earth clip

- Replaces one of the black DIN clips to offer earthing from PCB to DIN Rail.



PART NO.	DESCRIPTION
CVB-PLUS-MC	Metal earth clip