

**Cliff Electronic Components Ltd.**

76 Holmethorpe Avenue, Holmethorpe Industrial Estate,

Redhill, Surrey, RH1 2PF, England, UK

Tel: 01737-771375 Fax: 01737-766012 Website: [www.cliffuk.co.uk](http://www.cliffuk.co.uk)

---

# FIBER OPTIC DATA LINK

## DATA SHEET

MODEL NO. : FCR684206R

DATE : 2022-07-21

VERSION : 2

DEVICE NO. : ORJ-6 (OPTICAL RECEIVER JACK)



**RCA and Shutter Colour Notes:**

FCR684206R : RCA Orange, Shutter Grey, RCA Nickel Plating

## Cliff Electronic Components Ltd.

76 Holmethorpe Avenue, Holmethorpe Industrial Estate,  
Redhill, Surrey, RH1 2PF, England, UK  
Tel: 01737-771375 Fax: 01737-766012 Website: www.cliffuk.co.uk

### Features

- High PD sensitivity for red light
- High speed up to 16 Mbps
- Low power consumption and current dissipation
- +3~+5V power source

### Descriptions

FCR684206R is a new design connector including traditional RCA and Data Link inner opto-electric component. Not only does it receive electric digital signal but also light signal.

The optic unit is operated at single +3~+5V and RCA input signal at  $\pm 0.5$  V. The FCR684206R has a maximum operating speed of 16 Mbps. The optic unit has high performance at low dissipation current, steady light output and efficient light coupling.

### Applications

- Amplifier
- Audio equipment
- Digital optical data link
- Sound Card

### Device Selection Guide

Chip		Operating Voltage (Vcc)	Dissipation Current(mA)	Fiber Coupling Light Output (dBm)		
IC Material	PD $\lambda$ p(nm)			Typ.	Min.	Typ.
Si	660	+3~+5V	2.5	-24	-	-14.5

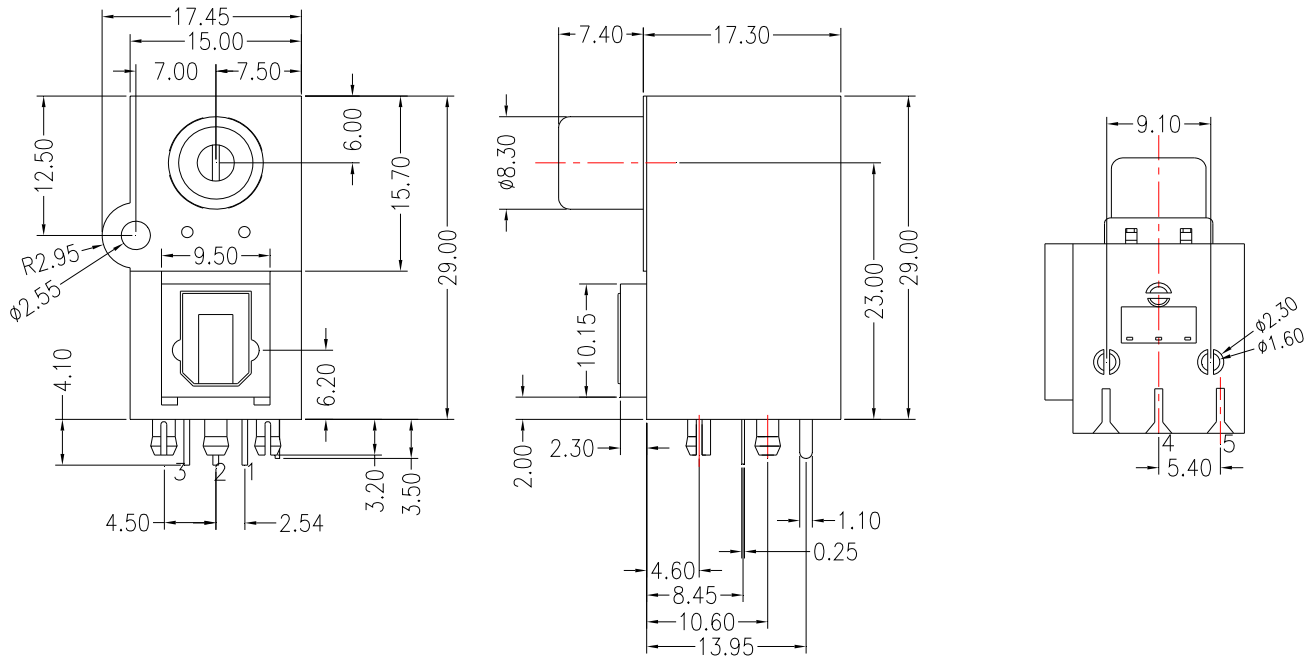
# Cliff Electronic Components Ltd.

76 Holmethorpe Avenue, Holmethorpe Industrial Estate,

Redhill, Surrey, RH1 2PF, England, UK

Tel: 01737-771375 Fax: 01737-766012 Website: www.cliffuk.co.uk

## Package Dimensions

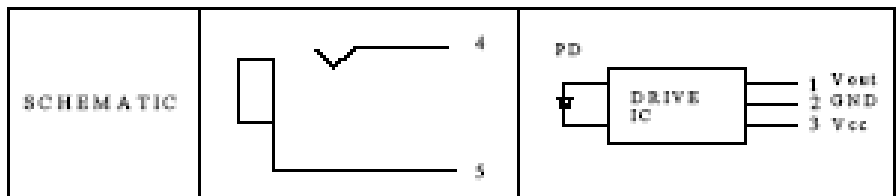


**Notes:** 1.All dimensions are in millimeters.

2.General Tolerance:±0.2mm

### Pin Function

- 1. Vout            4. Postive
- 2. GND            5.Negative
- 3. Vcc



### Absolute Maximum Ratings( Ta = 25°C)

Parameter	Symbol	Rating	Unit
Supply Voltage	Vcc	0~5.5	V
Storage Temperature	Tstg	-30 to 80	°C
Operating Temperature	Topr	-20 to 70	°C
Soldering Temperature	Tsol	260*	°C

\* Soldering time ≤ 5 s / 2 times.

\*Don't touch flux soldering and white Gas

**Cliff Electronic Components Ltd.**

76 Holmethorpe Avenue, Holmethorpe Industrial Estate,

Redhill, Surrey, RH1 2PF, England, UK

Tel: 01737-771375 Fax: 01737-766012 Website: www.cliffuk.co.uk

**Electro-Optical Characteristics**

Parameter	Symbol	Conditions	MIN.	TYP.	MAX.	Unit
Operating Voltage(optic unit)	V <sub>cc</sub>	-	2.7	-	5.5	V
(electrical unit)			0.75		1.25	
Peak Detective Wavelength	$\lambda_p$	-	-	660	-	nm
Transfer Speed		NRZ signal	0.1	-	16	Mbps
Receiving Distance		Using APF	0.2	-	20	m
Pulse Width Distortion	$\Delta tw$	16Mbps NRZ Signal	-20	-	20	ns
Input Light power	P <sub>i</sub>	*1	-24	-	-14.5	dBm
Dissipation Current	I <sub>cc</sub>	*2	-	2.5	10	mA
High Level Output Voltage	V <sub>OH</sub>		2.4	-	-	v
Low Level Output Voltage	V <sub>OL</sub>		-	-	0.4	v
Rise Time	t <sub>r</sub>	*3	-	-	25	ns
Fall Time	t <sub>f</sub>	*3	-	-	25	ns
Low → High propagation delay time	t <sub>PLH</sub>	*3	-	-	100	ns
High → Low propagation delay time	t <sub>PHL</sub>	*3	-	-	100	ns
Jitter time	$\Delta t_j$	*3	-	1.5	10	ns

FCR684206R light receiving unit satisfies EIAJ CP-1201 digital audio interface standard.

**Cliff Electronic Components Ltd.**

76 Holmethorpe Avenue, Holmethorpe Industrial Estate,

Redhill, Surrey, RH1 2PF, England, UK

Tel: 01737-771375 Fax: 01737-766012 Website: www.cliffuk.co.uk

**Reliability Test Items**

No.	Item	Test Condition	Test Hour/Cycle	Samples	Number (n) Failure (c)
1	Soldering Heat	260°C±5°C	5 sec./2times	22	n=22, c=0
2	High temp. & Hum. storage	Ta=40°C, 90%RH	500	22	n=22, c=0
3	High temp. storage	Ta=80°C	500	22	n=22, c=0
4	Low Temp. storage	Ta=-30°C	500	22	n=22, c=0
5	Temp. cycling	-30°C ~ 80°C (30min) (5min) (30min)	20	22	n=22, c=0
6	High Temp. Operation life	Ta=60°C, Vcc=5V ON	500	22	n=22, c=0
7	Repeated operation	500 times	Coupling force < 2 kg 0.4kg<Detaching force <2kg	22	n=22, c=0
8	Terminal Strength(tension)	Weight: 500 g 30 sec./each terminal		22	n=22, c=0
9	Terminal Strength(bending)	Weight: 500 g 2 times/each terminal		22	n=22, c=0
10	Mechanical Shock	Acceleration: 1000m/s <sup>2</sup> Pulse width: 6 ms 3 times/ X,Y,Z direction		22	n=22, c=0
11	Vibration	Frequency range: 10~55 Hz /sweep 1 min Overallamplitude:1.5 mm 2H./X,Y,Z direction		22	n=22, c=0

I<sub>cc</sub> (dissipation current): CURRENT ATTENUATE DIFFERENCE < 20%T<sub>PLH</sub> (propagation L → H delay time): DELAY TIME DIFFERENCE < 20%T<sub>PHL</sub> (propagation H → L delay time): DELAY TIME DIFFERENCE < 20%T<sub>r</sub> (rise time): TIME DIFFERENCE < 20%T<sub>f</sub> (fall time): TIME DIFFERENCE < 20%

# Cliff Electronic Components Ltd.

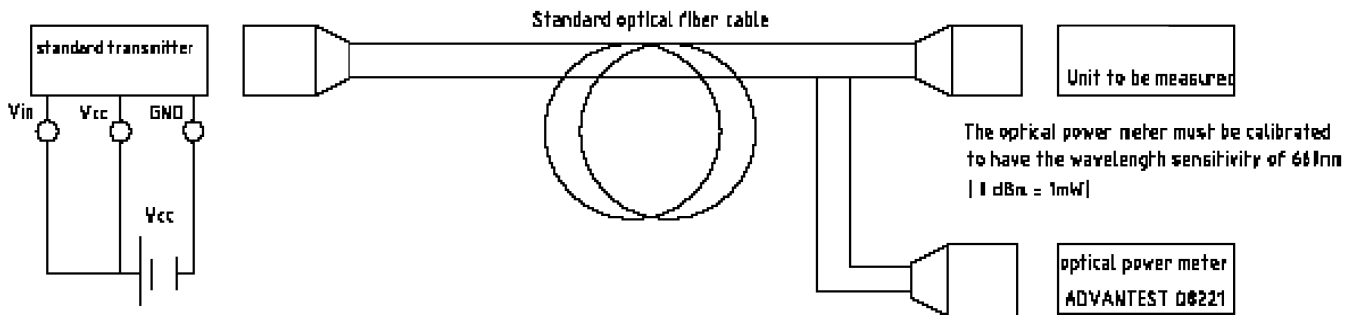
76 Holmethorpe Avenue, Holmethorpe Industrial Estate,

Redhill, Surrey, RH1 2PF, England, UK

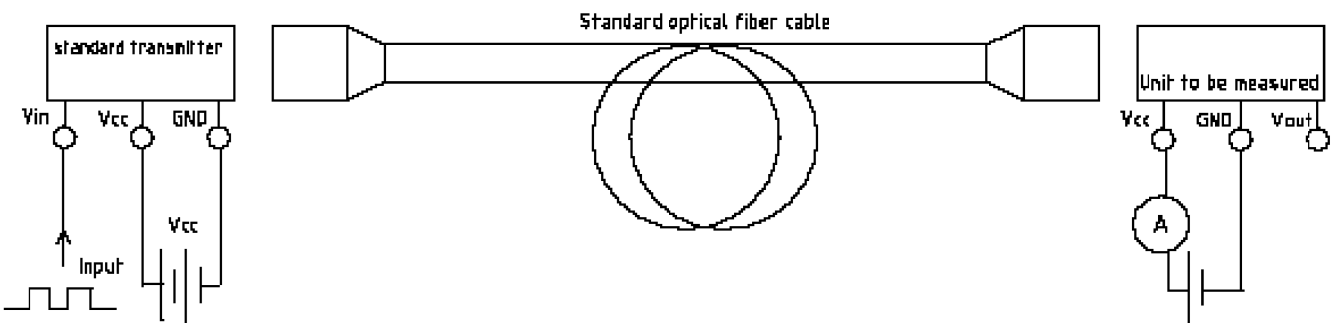
Tel: 01737-771375 Fax: 01737-766012 Website: www.cliffuk.co.uk

## Measuring Method

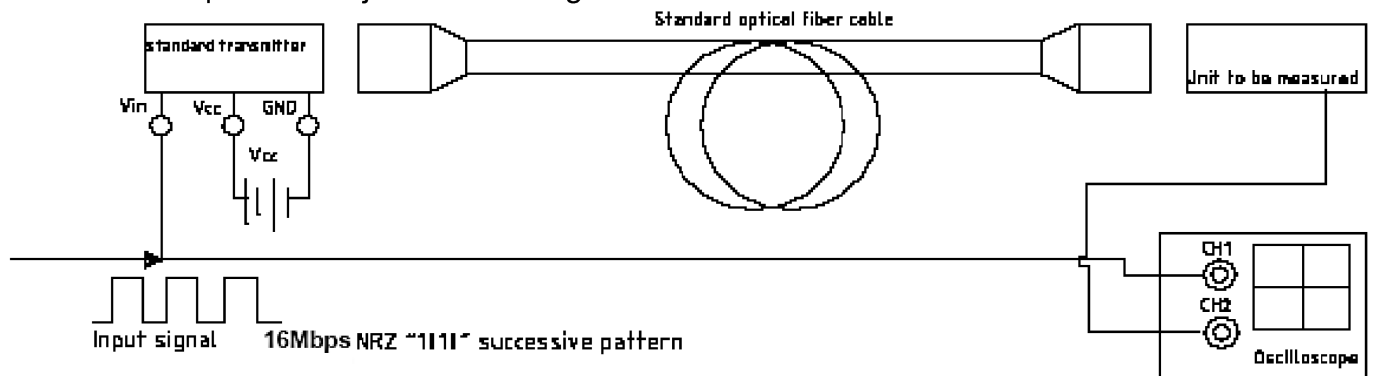
- \*1 Maximum receiver input optical power/Minimum receiver input optical power



- \*2 Current dissipation measuring method



- \*3 Pulse response and jitter measuring method

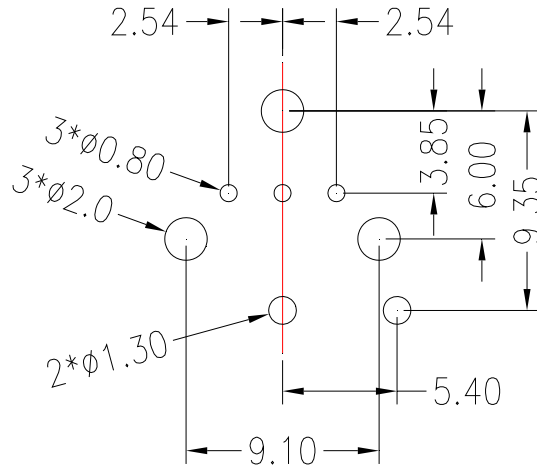


## Cliff Electronic Components Ltd.

76 Holmethorpe Avenue, Holmethorpe Industrial Estate,  
Redhill, Surrey, RH1 2PF, England, UK

Tel: 01737-771375 Fax: 01737-766012 Website: [www.cliffuk.co.uk](http://www.cliffuk.co.uk)

### PCB Layout For Electrical Circuit

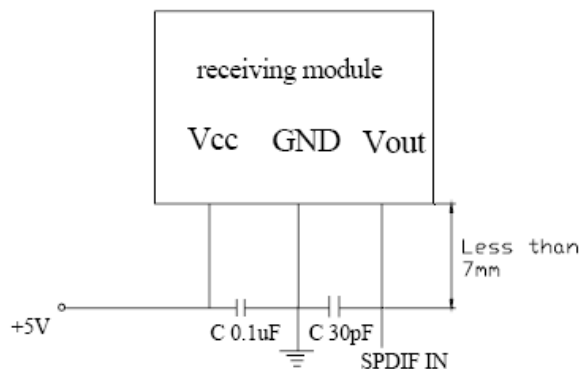


#### Notes:

1. Unit: mm
2. Unspecified tolerance:  $\pm 0.3\text{mm}$
3. Substrate Thickness: 1.6mm

#### Precautions for Using Method

1. Connect a by-pass capacitor (0.1 $\mu\text{F}$ ) close to the FCR684206R within 7mm of the unit lead frame.
2. Connect a by-pass capacitor (30pF) between GND and Vout avoid loading effect.
3. Take proper electrostatic-discharge (ESD) precautions while handling these devices. These devices are sensitive to ESD.

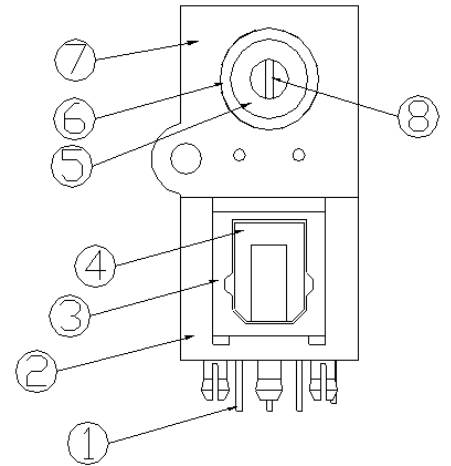


## Cliff Electronic Components Ltd.

76 Holmethorpe Avenue, Holmethorpe Industrial Estate,  
Redhill, Surrey, RH1 2PF, England, UK  
Tel: 01737-771375 Fax: 01737-766012 Website: www.cliffuk.co.uk

### Material Description

No.	Description	Material
1	OPTIC COMPONENT	
2	Main Housing (Black)	PBT (UL94 V-0)
3	Housing (Black)	PBT (UL94 V-0)
4	Shutter (Grey)	PBT (UL94 V-0)
5	RCA Insert (Orange)	PBT (UL94 V-0)
6	Contact terminal (-)	Phos Brz - Ni Plate
7	Shield	Phos Brz - Ni Plate
8	Contact terminal (+)	Phos Brz - Ni Plate



### RCA and Shutter Colour Notes:

**FCR684206R : RCA Orange - Shutter Grey - RCA Nickel Plating**