

## PRODUCT INFO PI\_21001\_GB

*Subject: Product change announcement*  
*Designation: L-Series Padlockable Transparent Shroud*  
*References: LWA0226 (224188)*

To whom it may concern,

This letter is to inform you of a change to our L-series padlockable transparent shroud.

The new article will be different but preserves nevertheless the functionalities of the previous product:

What **Will** Change:

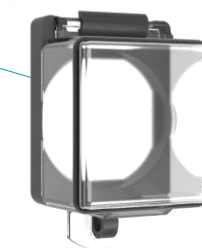
*Discontinued*



Plastic base & transparent  
plastic cover

Metal base & transparent  
plastic cover

*New*



What Will **NOT** Change:

- Product Order Numbers
- Product functionality, Protection of the control and signalling head
- Suitable for use with the following buttons Ø22mm:
  - Flush and projecting spring return pushbutton operators
  - Flush and projecting stay put pushbutton operators
  - Short handle selector switches
- Padlock with 4mm shackle
- IP69K degree of protection
- IK06 protected against 1 joules impact.
- Visualisation of the head (transparent cover)

**Product transition:**

Products rollover : transition will start from June 1st 2021 and onwards until stock of discontinued products are sold out.

If you would like further information or assistance regarding this change, please get in touch with us.  
We'll be delighted to answer your questions.



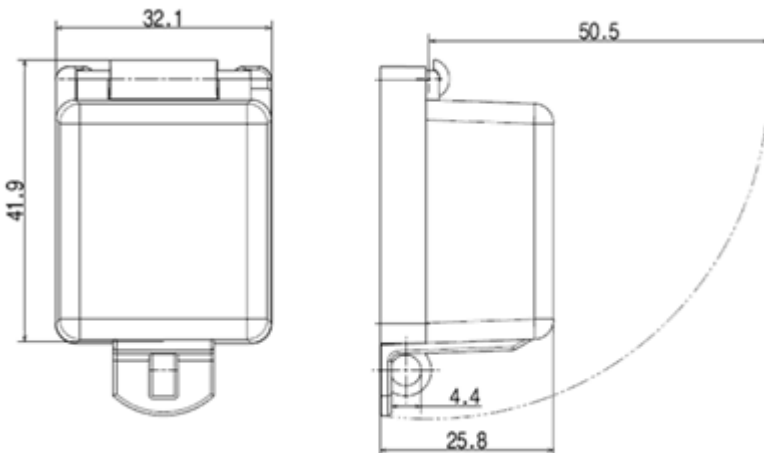
Olivier.gaspar@baco.fr

## ► PADLOCKABLE SHROUD

### Technical characteristics

	Data	Standards
► Protection index	IP69K Type 4x IK06	IEC 60529 NEMA Standards IEC 62262
► Operating temperature	Minimum : -25°C Maximum : +70°C	
► Storage Temperature	Minimum : -40°C Maximum : +70°C	
► Materials	Base: PA66 30% FG loaded Cover: PC	
► Certifications and conformity	CB test (IEC 60947-5-1); CE; CCC; UL and BV Compliant with RoHs and Reach	
► Packaging	Minimum Order Quantity = 5	
► Weight	9g	
► Guarantee	10 years guarantee	

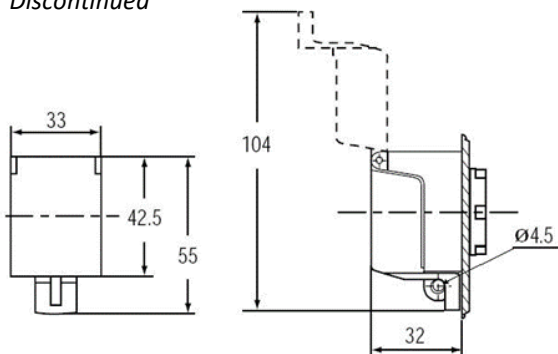
### Dimensions



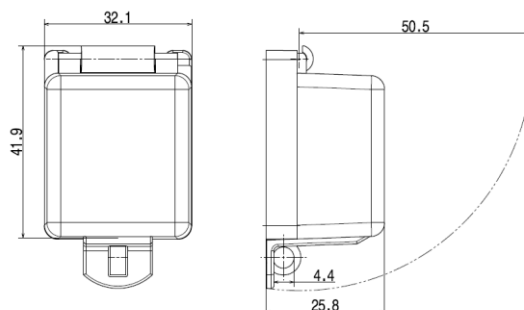
## ▶ PADLOCKABLE SHROUD

### Dimensions

*Discontinued*



*New*



Dimension	Discontinued	New
Lenght (mm) (cover/cover + ankle)	42,5/55	41,9/50,5
Width (mm)	33	32,1
Height(mm)	32	25,8

#### Suitable for use with:

	Discontinued version	New version
Flush Push button (Non illum+ illum)	YES	YES
Projecting Push button (Non illum+ illum)	YES	YES
Selector switch with handle (Non illum+ illum)	YES	YES
Selector switch with lever (Non illum+ illum)	NO	NO
Key selector switch(without key)	YES	NO
Double and Triple touch	NO	NO
Mushroom heads	NO	NO
Knob	YES	YES
BAM (Flush/Projecting)	YES	NO
USB/Buzzer	YES	NO
Potentiometer	YES	NO

