

MODEL	APC
NUMBER	8750
DWG.	Allen Hsieh
DATE	2012/5/8
SHEET	1 of 1

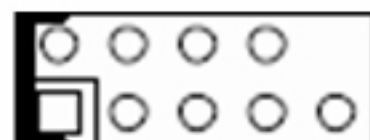
TITLE	Pinout Diagram
Dimensions are in millimeters unless otherwise specified.	



More engineering resources are available at <http://apc.io/library>.

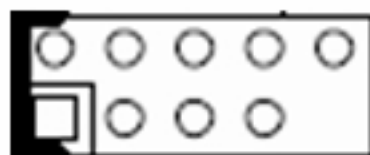
This work is licensed under the Creative Commons Attribution-ShareAlike 3.0 License. To view a copy of this license, visit <http://creativecommons.org/licenses/by-sa/3.0/legalcode>; or, send a letter to Creative Commons, 172 2nd Street, Suite 300, San Francisco, California, 94105, USA.

F_PANEL



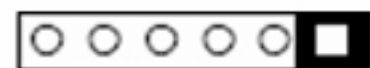
2: P_LED+	4: P_LED-	6: P_BTN+	8: P_BTN-	
1: N/A	3: N/A	5: N/A	7: N/A	9: N/A

J3 (SPI ROM Programmer)



2: Ground	4: Clock	6: DATA Out	8: N/A	10: N/A
1: Power	3: Chip Select-	5: DATA In	7: N/A	

UART_PH (For Console)



6: Ground	5: RTS	4: CTS	3: RX	2: TX	1: 3.3V
-----------	--------	--------	-------	-------	---------

SW1 (USB0 Host or Device Mode)

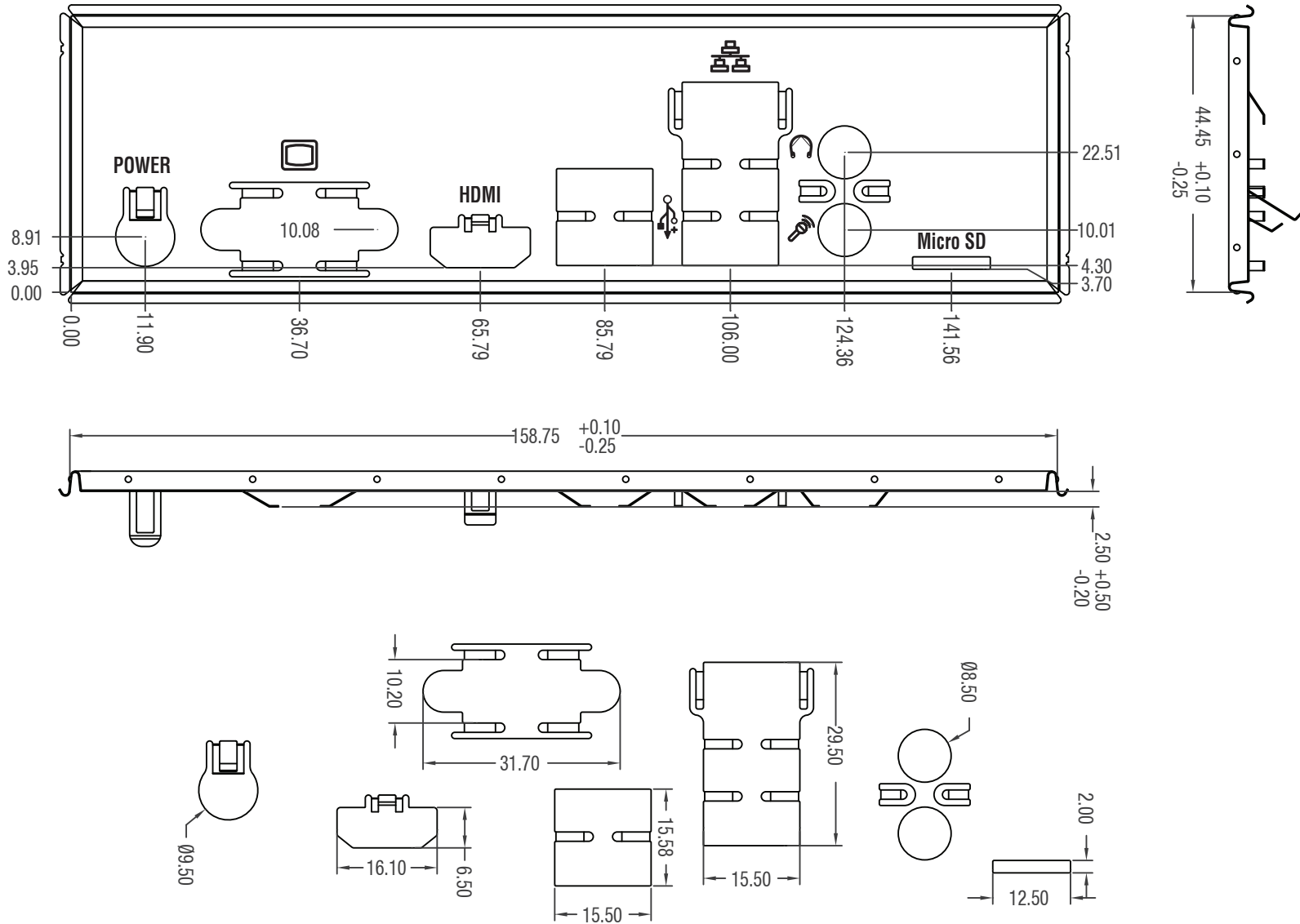


1	2	3
---	---	---

1-2 Short: USB0 run at Host Mode

2-3 Short: USB0 run at Device Mode





MODEL	APC	TITLE	Metal Shield
NUMBER	8750		
DWG.	Allen Hsieh	Dimensions are in millimeters unless otherwise specified.	
DATE	2012/5/8		
SHEET	1 of 1		